

DAILY

TECHNICAL DESCRIPTION

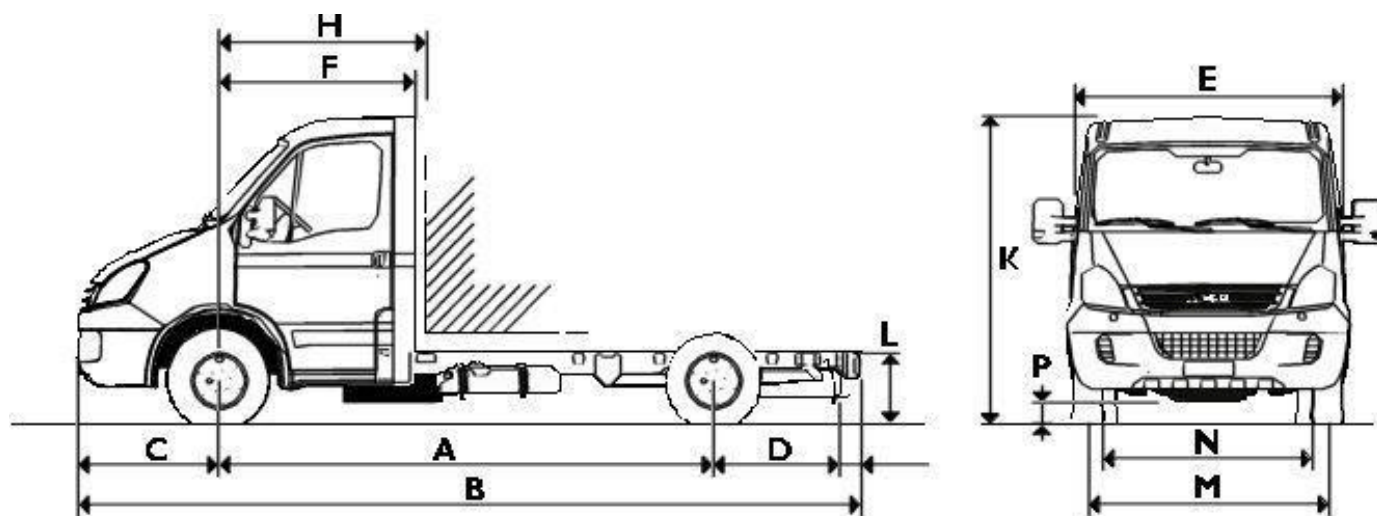
65C15H (E3)
(EURO 3)



The information in this literature is intended to be of a general nature only. Iveco reserves the right to modify or change specification at any time.

Gearbox 6S-400OD

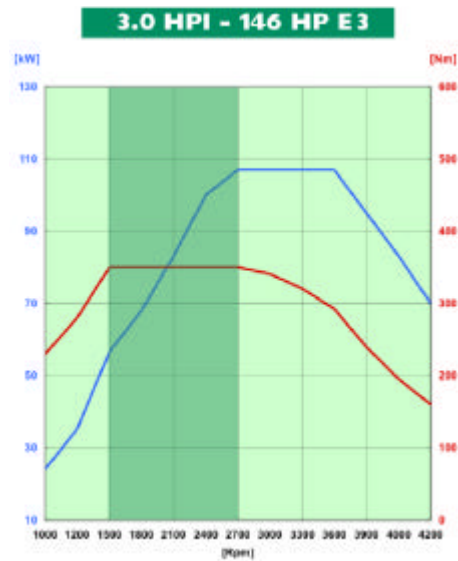
Wheelbase	Cab	Drive	Vcb
3450	LST	LEFT HAND DRIVE	GXHB14B1
	LST	RIGHT HAND DRIVE	GXHB14BA
3750	LST	LEFT HAND DRIVE	GXHB15B1
	LST	RIGHT HAND DRIVE	GXHB15BA
4350	LST	LEFT HAND DRIVE	GXHB18B1
	LST	RIGHT HAND DRIVE	GXHB18BA
4750	LST	LEFT HAND DRIVE	GXHB19B1
	LST	RIGHT HAND DRIVE	GXHB19BA


DIMENSIONS (mm) (65C15E4 LST)

A Wheelbase	<u>3450</u>	<u>3750</u>	<u>4350</u>	<u>4750</u>
B Overall length	5905	6515	7340	8200
C Front overhang	998	998	998	998
D Rear overhang	1355	1665	1890	2350
E Max cab width	2060	2060	2060	2060
F Front axle to back of cab	1355	1355	1355	1355
H Front axle to front of body	1410	1410	1410	1410
K Overall height to top of cab, unladen	2340	2335	2330	2325
M Front track	1725	1725	1725	1725
N Rear track	1661	1661	1661	1661
P Minimum ground clearance (Axle2)	165	165	165	165
Turning radius wall to wall	6670	7140	8060	8680
Turning radius kerb to kerb	6120	6590	7310	8120
Frame height at front axle, unladen	463	462	460	460
Frame height at rear axle, unladen	605	605	605	604

Weights (kg) (65C15E4 LST)				
Wheelbase	<u>3450</u>	<u>3750</u>	<u>4350</u>	<u>4750</u>
GVW EEC	6500	6500	6500	6500
Plated weight on axle 1 EEC	2300	2300	2300	2300
Plated weight on axle 2 EEC	5000	5000	5000	5000
Max body & pay load EEC	4255	4240	4205	4175
Total vehicle kerbweight	2245	2260	2295	2325
Total vehicle kerbweight 1	1450	1460	1495	1495
Total vehicle kerbweight 2	795	800	800	830

Engine F1CE0481L (F1C46E3)



Name	3.0 HPI (High Performance Injection)
Position	FRONT
Direction of engine	LONGITUDINAL
Cycle	DIESEL
Aspiration type	TC+AFTERCOOLER
Injection type	UNIJET COMMON RAIL - 16 VALVES
No. of cylinders	4 IN-LINE
Fuel type	DIESEL
4 Stroke / 2 Stroke cycle	4
Total displacement cm ³	2998
Bore / Stroke mm	95.8 / 104
Max power (1)	107 kW 146 HP 3500 rpm
Max torque (2)	350 Nm 1400 ÷ 2800 rpm
Injection pump type	HIGH PRESSURE / COMMON RAIL (1600 bar)
Injection pump governor type	EDC
Cooling system	WATER
Hydraulic steering pump	
Cold starting type	GLOW PLUGS
Type of turbocharging	WITH WASTE GATE VALVE
Emissions according regulations	EURO3

Fuelling (AB 60-65E4)

No. of tanks	1
Material	PLASTIC
Total tank capacity l.	100
Position on frame	LEFT SIDE
Filter	

Profiled - trapezoidal tank

Air intake (AC S2000-I)

Filter type	DRY
Air intake	AT FRONT, UNDER BONNET

Cooling (AD S2002-I)

Cooling system	WATER
Fan type	ELECTROMAGNETIC

Clutch 11" (FB S2146-I)

Type	SINGLE DRY PLATE
Actuation	PULL TYPE
Release control	HYDRAULIC
Adjustment	AUTOMATIC

GearboxZF - 6S-400OD (GB S6400)

Type	SYNCHROMESH
Installation	ENGINE FLANGED
No. of gears (....+.....reverse)	6+1
Casing material	ALUMINIUM

Gear ratios

1st	5.373
2nd	3.154
3rd	2.041
4th	1.365
5th	1.000
6th	0.791
Rev. 1st	4.838

Front steering axle (LB S2143-I)

Identification	5823
Type	INDEPENDENT WHEELS
Steering angle (ext.)	38°
Steering angle (int.)	43°

Front steering axle (LB S2143-I)

Axle material	STEEL
Load capacity Kg	2300

Rear drive axle (MB450517/2)

Identification	450517/2
Type	RIGID
Axle	SINGLE
Wheel arrangement	TWIN
Axle housing material	STEEL
Weight Kg	215
Load capacity Kg	5000
Reduction type	SINGLE

Suspensions (NB S2146-I)

Front steering axle	INDEPENDENT with TORSION BAR
Rear drive axle	SEMELLIPTIC SPRINGS

Main features

Axle no.	2
Leaf width (mm)	70
Main leaf spring length (mm)	1415
No. of auxiliary leaves spring	2
No. of main leaves spring	4
Aux. leaves thickness (mm)	22
Main leaves thickness (mm)	11

Shock absorber (PB S2000-I)

Shock absorber no. (front)	2
Shock absorber no. (rear)	2
Shock absorber type	HYDRAULIC TELESCOPIC

Anti-roll bars (OB S2000-I)

Position	FRONT AND REAR AXLE
----------	---------------------

Wheels (QB S2146-I)

Wheel type	DISC
Wheel material	STEEL
Wheel dimensions	6JK16"

Tyres (RB S2146-I)

Tyre dimensions	225/75 R 16C
Rolling radius mm	359
Rolling circumference mm	2254

Axle Mounting

1	SINGLE
2	TWIN

Steering (KB S2000-I)

Type	HYDRAULIC
Steering wheel diameter (mm)	420
No of parts in steering column	3

Chassis (mm) (JB S2011-I)

Frame section PARALLEL

Wheelbase	3450	3750	4350
Side member material	STEEL	STEEL	STEEL
Side member section	"C"	"C"	"C"
Flange thickness	5	5	5
Web thickness	5	5	5
Upper flange width	69	69	69
Lower flange width	69	69	69
Side member max. height	184	184	184
Frame width at front	862	862	862
Frame width at rear	862	862	862
Wheelbase	4750		
Side member material	STEEL		
Side member section	"C"		
Flange thickness	5		
Web thickness	5		
Upper flange width	69		
Lower flange width	69		
Side member max. height	184		
Frame width at front	862		
Frame width at rear	862		

Brakes (SB S65E4)

Air dryer	
Antiskid system	ABS 8
Emergency brake	COMBINED WITH PARKING BRAKE
Parking brake	MECHANICAL
Service brake	HYDRAULIC
Parking brake axle(s)	AXLE 2
Brake standards	EEC
No. of circuits	2

Axle no.	Axle 1	Axle 2
Brake type	DISC	DISC
No. of cylinders	2	2
Cylinder diameter	60	48
Disk diameter (mm)	301	306

Electrics (VB F1C)

Voltage V	12
Alternator power V/A	14/110
No. of batteries	1
Battery voltage V	12
Battery capacity Ah	110
Starter motor power kW	2.3

Lighting (WB S2006-I)

No. of headlights	2
Type of lamps	HALOGEN
Front side marker lights	
Reverse lights	
Hazard lights	
Number plate lights	
Front fog lights	
Rear fog light(s)	
Side lights	
Front direction indicators	
Side direction indicators	
Rear direction indicators	
Additional lights prearrangement	

Cab LST (YB CAB01-I)

Cab type	SEMI-FORWARD FIXED
Material	STEEL PLATE
No of steps	1
Front doors type	SIDE HUNG
Front door(s) opening angle	64°
Doorway lever	
Glove compartment	
Cab floor	COVERED WITH SYNTHETIC MATERIAL
Window operation (front)	MANUAL ON RIGHT - MANUAL ON LEFT
Sun visors no.	2
Interior light	1
Monolithic execution	
Plastic covering	
Roof type	LOW
Windscreen type	LAMINATED, ATHERMIC
Windscreen	ONE PIECE - CURVED
Windscreen according to standards:	EEC
No. of windscreen wipers	2
No. of windscreen wiper speeds	3
Side windows	
Rear view mirrors no.	2
Mirror control	MANUAL
No. of places	3
No. of seats	2
Driver seat adjustment	HEIGHT, LONGITUDINAL AND BACK INCLINATION
Passenger seat(s) type	DUAL
No. of fan speeds	4
Heating control	MANUAL
Air conditioning control	MANUAL
Provision for belts	
Lighter	
CB wiring	
Immobilizer	
Rear wall window	

In cab equipment (TB S2006-I)

Warning lights

High beam

Direction indicators

Hazard lights

Hand brake on

Brake failure

Engine preheating

Water in fuel prefilter

Clogged air filter

Battery charge

Hydraulic steering power failure

Rear light

Warning lights prearrangement

Differential lock

ASR

Power take off

ABS failure

Switches

Light dimmer switch

Switches prearrangement

Ext. rear view mirror adjustment

Power windows adjustment

Instruments

Tachometer

Rev counter

Mile odometer

Clock

Trip computer

Water temperature indicator

Fuel gauge

Multifunction stalk

Horn

High beam

Headlamp flash

Indicator lights

Windscreen wiper with intermittent wipe

Besides:

Fog lights (standard)

ESP failure indicator (prearrangement)

Gearshift lever on dashboard

Multifunction stalk

Miscellaneous (XBS2000CAB)

Rear underride protection EC NORMS

Jack

Front towing hitch

Exhaust pipe discharges towards the centre of the vehicle (between the sidemembers)