

# E U R O C A R G O

## TECHNICAL DESCRIPTION

### ML75E15 ( EURO 3 - NEW )



#### Commercial & Technical Training

The information in this literature is intended to be of a general nature only. Iveco reserve the right to modify or change specification at any time.

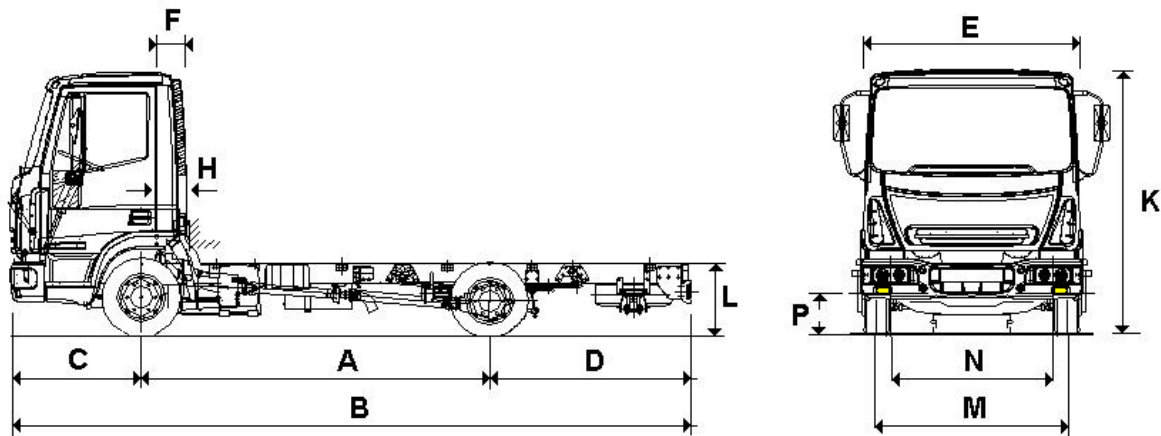
## Gearbox 2855.5

Wheelbase	Cab	Drive	Vcb
2700	MLC	LEFT HAND DRIVE	DJNAC1A1
3105	MLC	LEFT HAND DRIVE	DJNAC2A1
	MLC	RIGHT HAND DRIVE	DJNAC2AA
3330	MLC	LEFT HAND DRIVE	DJNAC3A1
	MLC	RIGHT HAND DRIVE	DJNAC3AA
3690	MLC	LEFT HAND DRIVE	DJNAC4A1
	MLC	RIGHT HAND DRIVE	DJNAC4AA
	MLL	LEFT HAND DRIVE	DJNAC4A2
	MLL	RIGHT HAND DRIVE	DJNAC4AB
4185	MLC	LEFT HAND DRIVE	DJNAC5A1
	MLC	RIGHT HAND DRIVE	DJNAC5AA
	MLL	LEFT HAND DRIVE	DJNAC5A2
	MLL	RIGHT HAND DRIVE	DJNAC5AB
4455	MLC	LEFT HAND DRIVE	DJNAC6A1
	MLC	RIGHT HAND DRIVE	DJNAC6AA
	MLL	LEFT HAND DRIVE	DJNAC6A2
	MLL	RIGHT HAND DRIVE	DJNAC6AB
4815	MLC	LEFT HAND DRIVE	DJNAC7A1
	MLC	RIGHT HAND DRIVE	DJNAC7AA
	MLL	LEFT HAND DRIVE	DJNAC7A2
	MLL	RIGHT HAND DRIVE	DJNAC7AB

## Gearbox 2855.6

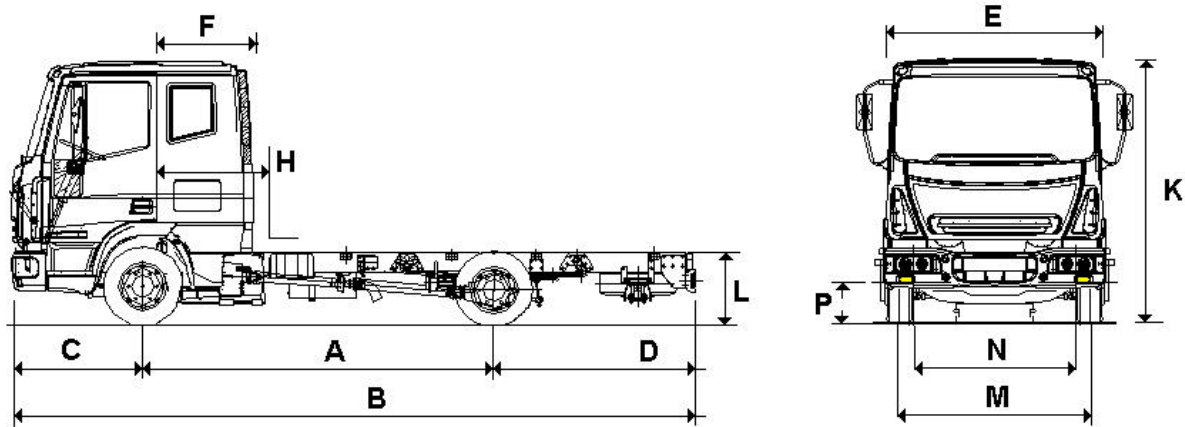
Wheelbase	Cab	Drive	Vcb
2700	MLC	LEFT HAND DRIVE	DJNAC1D1
3105	MLC	LEFT HAND DRIVE	DJNAC2D1
	MLC	RIGHT HAND DRIVE	DJNAC2DA
3330	MLC	LEFT HAND DRIVE	DJNAC3D1
	MLC	RIGHT HAND DRIVE	DJNAC3DA
3690	MLC	LEFT HAND DRIVE	DJNAC4D1
	MLC	RIGHT HAND DRIVE	DJNAC4DA
	MLL	LEFT HAND DRIVE	DJNAC4D2
	MLL	RIGHT HAND DRIVE	DJNAC4DB
4185	MLC	LEFT HAND DRIVE	DJNAC5D1
	MLC	RIGHT HAND DRIVE	DJNAC5DA
	MLL	LEFT HAND DRIVE	DJNAC5D2
	MLL	RIGHT HAND DRIVE	DJNAC5DB
4455	MLC	LEFT HAND DRIVE	DJNAC6D1
	MLC	RIGHT HAND DRIVE	DJNAC6DA
	MLL	LEFT HAND DRIVE	DJNAC6D2
	MLL	RIGHT HAND DRIVE	DJNAC6DB

4815	MLC	LEFT HAND DRIVE	DJNAC7D1
	MLC	RIGHT HAND DRIVE	DJNAC7DA
	MLL	LEFT HAND DRIVE	DJNAC7D2
	MLL	RIGHT HAND DRIVE	DJNAC7DB


**DIMENSIONS (mm) (AB 0902-I MLC)**

<b>A Wheelbase</b>	<b><u>2700</u></b>	<b><u>3105</u></b>	<b><u>3330</u></b>	<b><u>3690</u></b>	<b><u>4185</u></b>
B Total length	5352	5780	6522	6882	7692
C Front overhang	1262	1262	1262	1262	1262
D Rear overhang	1290	1313	1830	1830	2145
E Max width	2286	2286	2286	2286	2286
F Front axle to back of cab	355	355	355	355	355
H Front of body to front axle distance	475	475	475	475	475
K Overall height to top of cab, unladen	2550	2549	2548	2548	2548
L Height of frame at frame end, unladen	900	893	907	899	897
M Front track	1820	1820	1820	1820	1820
N Rear track	1660	1660	1660	1660	1660
P Minimum ground clearance ( Axle2 )	181	181	181	181	181
Overall width (rear tyres)	2130	2130	2130	2130	2130
Back of cab to end of frame	3635	4063	4805	5165	5975
Steering radius wall to wall	5550	6200	6500	7050	7800
Steering radius kerb to kerb	4950	5550	5900	6450	7200
Frame height at front axle, unladen	732	731	731	731	731
Frame height at rear axle, unladen	845	845	844	843	841
Max truck length		6005		7075	7875
<b>A Wheelbase</b>	<b><u>4455</u></b>	<b><u>4815</u></b>			
B Total length	8097	8682			
C Front overhang	1262	1262			
D Rear overhang	2280	2505			
E Max width	2286	2286			
F Front axle to back of cab	355	355			
H Front of body to front axle distance	475	475			

<b>DIMENSIONS (mm) (AB 0902-I MLC)</b>		
K Overall height to top of cab, unladen	2547	2547
L Height of frame at frame end, unladen	896	894
M Front track	1820	1820
N Rear track	1660	1660
P Minimum ground clearance ( Axle2 )	181	181
Overall width (rear tyres)	2130	2130
Back of cab to end of frame	6380	6965
Steering radius wall to wall	8250	8750
Steering radius kerb to kerb	7600	8150
Frame height at front axle, unladen	730	730
Frame height at rear axle, unladen	840	838
Max truck length	8275	8875


**DIMENSIONS (mm) (AB 0905-I MLL)**

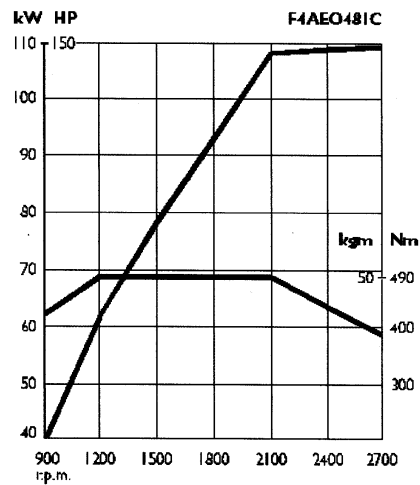
<b>A Wheelbase</b>	<b><u>3690</u></b>	<b><u>4185</u></b>	<b><u>4455</u></b>	<b><u>4815</u></b>
B Total length	6882	7692	8097	8682
C Front overhang	1262	1262	1262	1262
D Rear overhang	1830	2145	2280	2505
E Max width	2286	2286	2286	2286
F Front axle to back of cab	935	935	935	935
H Front of body to front axle distance	1055	1055	1055	1055
K Overall height to top of cab, unladen	2542	2542	2541	2540
L Height of frame at frame end, unladen	901	899	898	896
M Front track	1820	1820	1820	1820
N Rear track	1660	1660	1660	1660
P Minimum ground clearance ( Axle2 )	181	181	181	181
Overall width (rear tyres)	2130	2130	2130	2130
Back of cab to end of frame	4585	5395	5800	6385
Steering radius wall to wall	7050	7800	8250	8750
Steering radius kerb to kerb	6450	7200	7600	8150
Frame height at front axle, unladen	725	725	724	723
Frame height at rear axle, unladen	842	840	839	837

**Weights (kg) (BB 0931-I MLC)**

<b>Wheelbase</b>	<b><u>2700</u></b>	<b><u>3105</u></b>	<b><u>3330</u></b>	<b><u>3690</u></b>	<b><u>4185</u></b>
GVW - Design	7500	7500	7500	7500	7500
GTW - Design	11000	11000	11000	11000	11000
Plated weight on axle 1 - Design	3200	3200	3200	3200	3200
Plated weight on axle 2 - Design	5200	5200	5200	5200	5200
Body payload - Design	4490	4465	4450	4435	4385
Trailer total weight (inertia brake)	3500	3500	3500	3500	3500
Vehicle kerbweight	3010	3035	3050	3065	3115
Vehicle kerbweight 1	2195	2210	2215	2210	2210
Vehicle kerbweight 2	815	825	835	855	905
Truck kerbweight		3535		3645	3765
Truck kerbweight on axle 1		2285	2285	2290	2305
Truck kerbweight on axle 2		1250	1250	1355	1460
<b>Wheelbase</b>	<b><u>4455</u></b>	<b><u>4815</u></b>			
GVW - Design	7500	7500			
GTW - Design	11000	11000			
Plated weight on axle 1 - Design	3200	3200			
Plated weight on axle 2 - Design	5200	5200			
Body payload - Design	4365	4310			
Trailer total weight (inertia brake)	3500	3500			
Vehicle kerbweight	3135	3190			
Vehicle kerbweight 1	2220	2230			
Vehicle kerbweight 2	915	960			
Truck kerbweight	3815	3920			
Truck kerbweight on axle 1	2325	2340			
Truck kerbweight on axle 2	1490	1580			

**Weights (kg) (BB 0934-I MLL)**

<b>Wheelbase</b>	<b><u>3690</u></b>	<b><u>4185</u></b>	<b><u>4455</u></b>	<b><u>4815</u></b>
GVW - Design	7500	7500	7500	7500
GTW - Design	11000	11000	11000	11000
Plated weight on axle 1 - Design	3200	3200	3200	3200
Plated weight on axle 2 - Design	5200	5200	5200	5200
Body payload - Design	4305	4255	4235	4180
Trailer total weight (inertia brake)	3500	3500	3500	3500
Vehicle kerbweight	3195	3245	3265	3320
Vehicle kerbweight 1	2320	2320	2330	2345
Vehicle kerbweight 2	875	925	935	975

**Engine F4AE0481C\*<sup>C</sup> ( EB 0021-I)**


Name	TECTOR
Position	FRONT
Cycle	DIESEL
Aspiration type	TC+AFTERCOOLER
Injection type	DIRECT
No. of cylinders	4 IN-LINE
Fuel type	DIESEL
4 Stroke / 2 Stroke cycle	4
Total displacement cm <sup>3</sup>	3900
Bore / Stroke mm	102 / 120
Max power (1)	110 kW 150 HP 2700 rpm
Specific fuel consumption-max power	200 g/kWh
Max torque (2)	50 kgm 490 Nm 1215 rpm
Specific fuel consumption-max torque	220 g/kWh
Power loss	0.2% every 100 m above 1000 m sea level
Dry weight kg	390
Oil capacity kg	5.3
Crankshaft supported by	5 Bearings
Injection pump type	HIGH PRESSURE / COMMON RAIL
Injection pump governor type	ELECTRONIC (AT ALL SPEED BY ECU)
Cooling system	WATER
Hydraulic steering pump	
Cold starting type	TERMOSTARTER+CHOKE+GRID HEATER
Emissions according regulations	EURO3

**Fuelling (ABB 0002-I)**

No. of tanks	1
Material	PLASTIC
Total tank capacity l.	90
Position on frame	RIGHT SIDE
Fuel pump	
Fuel heater	
Prefilter	
Filter	
Fuel separator	

**Air intake (AC 0011-I)**

Filter type	DRY
Air filter position	REAR PART OF THE CAB ON THE LEFT
Snorkel position	BEHIND THE CAB ON THE LEFT
Exhaust pipe position	REAR CHASSIS
Air intake	WITH SNORKEL

**Cooling (AD 0001-I)**

Cooling system	WATER
Fan type	VISCOSTATIC

**Clutch 13" (FT 0002-I)**

Type	SINGLE PLATE DIAPHRAGM
Release control	HYDRAULIC
Adjustment	AUTOMATIC

**GearboxIVECO - 2855.5 (GB 0008-I)**

Type	SYNCRONIZED
Installation	ENGINE FLANGED
Control	MANUAL H
No. of gears (....+.....reverse)	5+1
Casing material	ALUMINIUM
Gearbox spacing	6.34
Possible P.T.O. installation	

**Gear ratios**

1st	6.34
2nd	3.64
3rd	2.31
4th	1.48
5th	1.0
Rev. 1st	5.46

**Gearbox IVECO - 2855.6 (GT 0003-I)**

Type	SYNCRONIZED
Installation	ENGINE FLANGED
Control	MANUAL H
No. of gears (....+.....reverse)	6+1
Casing material	ALUMINIUM
Dry weight kg	97
Gearbox spacing	8.13
Possible P.T.O. installation	

**Gear ratios**

1st	6.34
2nd	3.64
3rd	2.31
4th	1.48
5th	1.00
6th	0.78
Rev. 1st	5.46

**Front steering axle (LB 0014-I)**

Identification	5833/1
Type	RIGID
Beam section	"I"

**Rear drive axle (MB 0020-I)**

Identification	450617
Type	RIGID
Axle	SINGLE
Wheel arrangement	TWIN
Reduction type	SINGLE

**Suspensions (NB 0034-I)**

Front steering axle	SINGLE ACTING PARABOLIC SPRING
Rear drive axle	DOUBLE ACTING PARABOLIC

**Main features**

Axle no.	1	2
Leaf width (mm)	70	70
Auxiliary leaf spring length (mm)		1630
Master leaf spring length (mm)	1714	1670
No. of auxiliary leaf springs		1
No. of master leaf springs	1	1

**Shock absorbers (PT 0001-I)**

Shock absorbers no. (front)	2
Shock absorbers no. (rear)	2
Shock absorbers type	HYDRAULIC TELESCOPIC

**Anti-roll bars (OT 0001-I)**

Position	FRONT AND REAR AXLE
----------	---------------------

**Wheels (QT 0001-I)**

Wheel type	DISC
Rim dimensions	17.5" x 6.00"

**Tyres (RB 0024-I)**

Tyre dimensions	205/75 R 17.5
Load-index	124/122
Speed index	M = 130 Km/h
Rolling radius mm	359
Rolling circumference mm	2254,52

**Steering (KT 0001-I)**

Type	HYDRAULIC
Adjustment type	COLUMN ANGLE
Degrees of freedom	1
Steering wheel diameter (mm)	465
No. of parts steering column	2

**Chassis (mm) (JB 60-75-I)**

Frame section	"C" SECTION
Front crossmember fixing	BOLTED
Middle crossmember fixing	RIVETED

Wheelbase	<b>2700</b>	<b>3105</b>	<b>3330</b>
Side member material	STEEL	STEEL	STEEL
Side member section	"C"	"C"	"C"
Flange thickness	4	4	4
Web thickness	4	4	4
Upper flange width	65	65	65
Lower flange width	65	65	65
Side member max. height	265	265	265
Frame width at front	848	848	848
Frame width at rear	848	848	848
Wheelbase	<b>3690</b>	<b>4185</b>	<b>4455</b>

**Chassis (mm) (JB 60-75-l)**

Side member material	STEEL	STEEL	STEEL
Side member section	"C"	"C"	"C"
Flange thickness	4	4	4
Web thickness	4	4	4
Upper flange width	65	65	65
Lower flange width	65	65	65
Side member max. height	265	265	265
Frame width at front	848	848	848
Frame width at rear	848	848	848
Wheelbase	<b>4815</b>		
Side member material	STEEL		
Side member section	"C"		
Flange thickness	5		
Web thickness	5		
Upper flange width	65		
Lower flange width	65		
Side member max. height	266		
Frame width at front	850		
Frame width at rear	850		

**Brakes (SB 0029-I)**

Front braking control

Rear braking control

Air dryer

Antiskid system ABS

Auxiliary brake / Engine brake ON THE EXHAUST PIPE WITH THROTTLE VALVE

Emergency brake COMBINED WITH SERVICE BRAKE

Parking brake MECHANICAL WITH SPRING CYLINDER

Service brake AIR/HYDRAULIC

Parking brake axles AXLE 2

Total tank capacity l. 15

Air compressor displacement cm<sup>3</sup> 225

Air compressor ONE CYLINDRE

Brake standards EEC

Semicoupling standards EEC

No. of circuits 2

Number of air tanks 2

Axle no.	Axle 1	Axle 2
Brake type	DISC	DISC
No. of cylinders	2	2
Cylinder diameter	60	60
Disk diameter (mm)	304	304
Friction area cm <sup>2</sup>	440	440

**Electrics (VB 0013-I)**

Voltage V 24

Alternator power V/A 28/70

No. of batteries 2

Battery voltage V 12

Battery capacity Ah 70

Starter motor power kW 4

**Lighting (WB 0029-I)**

No. of headlights 2

Type of lamps HIGH BEAM AND ANTI-DAZZLE LIGHTS INTEGRATED INTO PARKING LAMPS

Front parking lights

Tail lights

Front side marker lights

Rear fog lights

Backup lights

**Lighting (WB 0029-I)**

Hazard lights

Number plate lights

Rear fog lights

Side lights

Stop lights

Front direction indicators

Side direction indicators

Rear direction indicators

Provision for front fog lights

Additional lights prearrangement

**Cab MLC (YB 0042-I)**

Cab type FORWARD CONTROL

Version SHORT CAB

Material STEEL PLATE

Steps no. 1

Internal height in front of the seat (mm) 1620

Tilting device HYDRAULIC

Tilt angle 60°

Front doors type SIDE HUNG, INTERNALLY COVERED WITH FABRIC

Front doors height (mm) 1424

Front doors width (mm) 954

Front door(s) opening angle 90°

Wind-up-window type (front) MANUAL ON RIGHT - MANUAL ON LEFT

Front fairing

Side spoiler

Roof spoiler

Sun visors no. 2

Roof material SYNTHETIC, WASHABLE

Roof light

Windscreen type STRENGTHENED - LAMINATED

Windscreen ONE PIECE - CURVED

Windscreen type EEC

No. of windscreen wipers 2

No. of windscreen wiper speeds 2

Front suspension type 2 SILENT BLOCKS

Rear suspension type 2 SILENT BLOCKS

Rear view mirrors no. 4

Mirror control MANUAL

Kerbside approach mirror

No. of places 3

**Cab MLC (YB 0042-I)**

No. of seats	2
Driver seat type	3 DEGREES OF FREEDOM
Driver seat adjustment	IN HEIGHT, LENGTH AND BACK INCLINATION
Passenger seat(s) type	TWO SEATS BENCH WITH DOUBLE BACK
Passenger seat adjustment	TIPPING CENTRAL BACK it can be tipped and made into a small table
Fan speed no.	4
Heating control	MANUAL
Provision for safety belts	
Lighter	
CB wiring	
Radio wiring	

## Remarks:

Real wall without windows, doors with fabric carpeting, storage compartments white bottle holder, defroster system for door windows, arm rests.

Corrosion protection, underseal and cavity sealing with wax.

## Roof panel:

Prearrangement for revolving roof lamp.

## Floor:

Covered with rubber mats, sound proof.

## Interior equipment:

Storage compartments, shelves upon overheads console, shelves on floor level below seats, ceiling lamps, spotlamps, loudspeakers.

## Central console:

Storage compartments, central panel, adjustable air bleeds, ash-tray, lighter, heating control.

## Exterior equipment:

Front bumper with steps, mudguard, front grille, pre-arrangement for front towing hook (to be screwed), lateral spoilers as splash protection, mudflaps, external engine starter (when cab is tilted) including safety device.

**Cab MLL (YB 5042-I)**

Cab type	FORWARD CONTROL
Version	SLEEPER CAB
Material	STEEL PLATE
Steps no.	2
Internal width (mm)	1620
Tilting device	HYDRAULIC
Tilt angle	60°
Roof hatch control system	MANUAL
Front doors type	SIDE HUNG, INTERNALLY COVERED WITH FABRIC
Front doors height (mm)	954
Front doors width (mm)	1424
Front door(s) opening angle	90°

Cab MLL (YB 5042-I)	
Wind-up-window type (front)	MANUAL ON RIGHT - MANUAL ON LEFT
Side spoiler	
Roof material	SYNTHETIC, WASHABLE
Roof light	
Windscreen type	STRENGTHENED - LAMINATED
Windscreen	ONE PIECE - CURVED
Windscreen type	EEC
No. of windscreen wipers	2
No. of windscreen wiper speeds	2
Front suspension type	2 SILENT BLOCKS
Rear suspension type	2 SILENT BLOCKS
Rear view mirrors no.	4
Mirror control	MANUAL
Kerbside approach mirror	
No. of places	2
No. of seats	2
Driver seat type	3 DEGREES OF FREEDOM
Driver seat adjustment	IN HEIGHT, LENGTH AND BACK INCLINATION
Fan speed no.	4
Heating control	MANUAL
No. of bunks	1
Bunk position	BOTTOM, FIXED
Provision for safety belts	
Lighter	
CB wiring	
Radio wiring	

**Cab MLL (YB 5042-I)**

Remarks:

Rear wall w/o window, doors with fabric carpeting, storage compartments with bottle holder, defroster system for door windows, arm rests;

Corrosion protection, underseal and cavity sealing with wax.

Passenger's seat:

Fixed, 2 way adjustable (longitudinal +adjustable back)

Roof panel:

Prearrangement for revolving roof lamp.

Floor:

Covered with rubber mats, sound proof.

Interior equipment:

Storage compartments, shelves upon overheads console, shelves on floor level below seats, ceiling lamps, spotlamps, loud-speakers.

Central console:

Storage compartments, central panel, adjustable air bleeds, ash-trays, lighter, heating control.

Exterior equipment:

External storage box (on side wall) opened from inside, front bumper with steps, mudguard, front grille, pre-arrangement for front towing hook (to be screwed), lateral spoilers as splash protection, mudflaps, external engine starter (when cab is tilted) including safety device.

**In cab equipment (TB 0091-I)**

**In cab equipment (TB 0091-I)**

Indicator lamps, on cluster:

External lights - High beam headlight - General warning light (STOP) - General alarm - Rear fog light - Direction indicator (left) - Engine brake - Brake failure - Hazard lights - Parking brake - Cluster failure - Direction indicator (right) - Tachograph failure - Engine preheating - ABS failure - Speed limiter (programmable).

Indicator lamps, on cluster. Prearrangement:

Side PTO - Rear PTO - Longitudinal differential lock - Rear differential lock - Mirrors heating - Fog lights.

Controls on instrument panel:

External lights - Headlights adjustment - Rear fog lamp - Hazard lights - Roof light - Speed limiter (programmable) - Engine brake.

Controls on instrument panel. Prearrangements:

Fog lights - Mirrors heating - Rotating roof lights - Heated windscreen - PTO - Power windows adjustment: full electrical - display menu on - display menu off - Display set on - display set off - contact breaker - Cab internal light: set / display - Cab internal light (MLL-Medium Roof only) - Electrically-powered roof hatch - Tail lift.

On central tunnel: electrical / heated mirrors control.

Instruments:

Fuel level with reserve indicator and warning light - Water temperature with warning light - Tachometer with trip mileage counter - Rpm counter with coloured sectors - Display - Tachograph 2 drivers - Light dimmer switch - Possibility of connection for external diagnosis (with socket in cab).

Multifunction stalks :

Horn - Low beam / high beam - Headlight flasher - Direction indicators - Windscreen wipers with 2 washer jets - Windscreen wipers with interval - Headlight wipers.

Highline version display (option):

Display levels of various minimum / maximum fluid levels - extensive diagnostics - functional check of lights - maintenance plan - travel details

Tools kit.

**Miscellaneous (XB 0062-I)**

Rear underride protection EEC NORMS

Spare wheel carrier position REAR OVERHANG

Jack

Front towing hitch

Final exhaust pipe on the centre (between the side members)

Front underrun protection (EC norms)

**Drawings (DB 0545-I)**

Wheelbase	<u>2700</u>	<u>3105</u>	<u>3330</u>
Left hand drive vehicle drawing	504075708	504075709	504075710
Wheelbase	<u>3690</u>	<u>4185</u>	<u>4455</u>
Left hand drive vehicle drawing	504075711	504075712	504075713
Wheelbase	<u>4815</u>		
Left hand drive vehicle drawing	504075714		

**Gearbox** 2855.5  
**Tyres** 205/75 R 17.5

			Max. gradient %											
Rear axle ratio	Gearbox ratio	Max. speed Km/h	GVW					GTW						
			7.5					11						
3.15	1 - 6.34	18.3	32,0						21,0					
	5 - 1	115.9	4,1						2,5					
3.31	1 - 6.34	17.4	34,0						22,0					
	5 - 1	110.3	4,4						2,7					
3.58	1 - 6.34	16.1	37,0						24,0					
	5 - 1	102	4,8						3,0					
3.91	1 - 6.34	14.7	41,0						26,0					
	5 - 1	93.4	5,3						3,4					
4.30	1 - 6.34	13.4	46,0						29,0					
	5 - 1	84.9	5,9						3,8					
4.56	1 - 6.34	12.6	50,0						31,0					
	5 - 1	80.1	6,4						4,1					
5.13	1 - 6.34	11.2	58,0						36,0					
	5 - 1	71.2	7,3						4,7					

**Gearbox** 2855.5  
**Tyres** 225/75 R 17.5

			Max. gradient %											
Rear axle ratio	Gearbox ratio	Max. speed Km/h	GVW					GTW						
			7.5					11						
3.15	1 - 6.34	19.4	30,0						19,0					
	5 - 1	122.7	3,8						2,4					
3.31	1 - 6.34	18.4	31,0						20,0					
	5 - 1	116.8	4,1						2,5					
3.58	1 - 6.34	17	34,0						22,0					
	5 - 1	108	4,5						2,8					
3.91	1 - 6.34	15.6	38,0						25,0					
	5 - 1	98.9	5,0						3,1					
4.30	1 - 6.34	14.2	43,0						27,0					
	5 - 1	89.9	5,6						3,5					
4.56	1 - 6.34	13.4	46,0						29,0					
	5 - 1	84.8	6,0						3,8					
5.13	1 - 6.34	11.9	54,0						34,0					
	5 - 1	75.4	6,8						4,4					

**Gearbox** 2855.5  
**Tyres** 9.5 R 17.5

			Max. gradient %									
Rear axle ratio	Gearbox ratio	Max. speed Km/h	GVW				GTW					
			7.5					11				
3.15	1 - 6.34	20.8	27,0					18,0				
	5 - 1	132.1	3,5					2,1				
3.31	1 - 6.34	19.8	29,0					19,0				
	5 - 1	125.7	3,7					2,3				
3.58	1 - 6.34	18.3	32,0					21,0				
	5 - 1	116.2	4,1					2,5				
3.91	1 - 6.34	16.8	35,0					23,0				
	5 - 1	106.4	4,6					2,8				
4.30	1 - 6.34	15.3	39,0					25,0				
	5 - 1	96.8	5,1					3,2				
4.56	1 - 6.34	14.4	42,0					27,0				
	5 - 1	91.3	5,5					3,5				
5.13	1 - 6.34	12.8	49,0					31,0				
	5 - 1	81.1	6,3					4,0				

**Gearbox** 2855.6  
**Tyres** 205/75 R 17.5

			Max. gradient %									
Rear axle ratio	Gearbox ratio	Max. speed Km/h	GVW				GTW					
			7.5					11				
3.58	1 - 6.34	16.1	37,0					24,0				
	6 - 0.78	130.8	3,6					2,2				
3.91	1 - 6.34	14.7	41,0					26,0				
	6 - 0.78	119.8	4,0					2,4				
4.30	1 - 6.34	13.4	46,0					29,0				
	6 - 0.78	108.9	4,4					2,8				
4.56	1 - 6.34	12.6	50,0					31,0				
	6 - 0.78	102.7	4,8					3,0				
5.13	1 - 6.34	11.2	58,0					36,0				
	6 - 0.78	91.3	5,5					3,5				
5.57	1 - 6.34	10.3	65,0					40,0				
	6 - 0.78	84.1	6,0					3,8				

**Gearbox** 2855.6  
**Tyres** 225/75 R 17.5

			Max. gradient %									
Rear axle ratio	Gearbox ratio	Max. speed Km/h	GVW				GTW					
			7.5					11				
3.58	1 - 6.34	17	34,0					22,0				
	6 - 0.78	138.4	3,3					2,0				
3.91	1 - 6.34	15.6	38,0					25,0				
	6 - 0.78	126.8	3,7					2,2				
4.30	1 - 6.34	14.2	43,0					27,0				
	6 - 0.78	115.3	4,1					2,6				
4.56	1 - 6.34	13.4	46,0					29,0				
	6 - 0.78	108.7	4,5					2,8				
5.13	1 - 6.34	11.9	54,0					34,0				
	6 - 0.78	96.6	5,1					3,2				
5.57	1 - 6.34	10.9	60,0					37,0				
	6 - 0.78	89	5,6					3,6				

**Gearbox** 2855.6  
**Tyres** 9.5 R 17.5

			Max. gradient %									
Rear axle ratio	Gearbox ratio	Max. speed Km/h	GVW				GTW					
			7.5					11				
3.58	1 - 6.34	18.3	32,0					21,0				
	6 - 0.78	149	3,0					1,8				
3.91	1 - 6.34	16.8	35,0					23,0				
	6 - 0.78	136.4	3,4					2,0				
4.30	1 - 6.34	15.3	39,0					25,0				
	6 - 0.78	124.1	3,8					2,3				
4.56	1 - 6.34	14.4	42,0					27,0				
	6 - 0.78	117	4,1					2,5				
5.13	1 - 6.34	12.8	49,0					31,0				
	6 - 0.78	104	4,7					2,9				
5.57	1 - 6.34	11.8	54,0					34,0				
	6 - 0.78	95.8	5,2					3,3				