



Spare Parts Catalog

12 AS 2331 TD

Material number: 1353.041.012

Current date: 12.11.2013

ZF Friedrichshafen AG
Hauptverwaltung
80038 Friedrichshafen
Deutschland

Telefon: +49 7541 77-0

Telefax: +49 7541 77-908000

www.zf.com

zuständiges Werk:
Friedrichshafen

Notes relating to the spare parts catalog

Setup of the spare parts catalog

- Cover sheet
- Technical Cover (only in SDM print)
- Overview of figures
- Figure
- Associated parts list
- Next figure
- Associated parts list
- ...

Figure and parts list



Overview of figures

Bildtafel Figure	Sachnummer Product number	Benennung (Description)	Technische Info Technical info	Description (Benennung)	Menge Quantity	Einheit Unit
068.08.17	1316.170.001	AUSLEGER	WL	SHIFT TURRET	1	Stk
068.08.06	1316.170.031	DECKEL	WL*H-H *VM	COVER	1	Stk
068.08.14	1316.170.808	DECKEL	WL*AUSL+GEH*H-H*HF160N	COVER	1	Stk
08	1316.170.441	ANSCHLUSSTEILE	WL*NG-VORB*RG-SCHL*168N *BAJONETT	CONNECTING PARTS	1	Stk

The "gap" indicates that there is no separate graphics panel (poster) for this assembly
The parts of this assembly are shown with the same mid-section number on the figure

1 Positions and subpositions

Pos.	Sachnummer Product number	Benennung (Description)	Technische Info Technical info	Description (Benennung)	Menge Quantity	Einheit Unit
0370	1315.201.054	RUECKLAUFBOLZEN	KPL.16S151*SG*L= 79	REV.IDLER SHAFT	1	Stk
/0120	0631.329.293	SPANNSTIFT		SLOT. PIN	1	Stk

Positions marked with "/" are the individual items of a completion
For example: Position 0370 contains a centering pin with the position /0120

2 Combinations with standardized parts

Pos.	Sachnummer Product number	Benennung (Description)	Technische Info Technical info	Description (Benennung)	Menge Quantity	Einheit Unit
0630		VERSCHL.SCHR.		SCREW PLUG	1	Stk
	0636.302.067	VERSCHL.SCHR.		SCREW PLUG	1	Stk
	0634.801.249	DICHTRING	A 26 X 31	SEALING RING	1	Stk

The parts list shows the components included in the combination of standardized parts

3 Depiction of position/item number on the figure and in the parts list

01.620 - on the figure 01 relates to the assembly in which the position is included. Due to program-related reasons, it is shown on the figure.

0620 - in the parts list

Pos.	Sachnummer Product number	Benennung (Description)	Technische Info Technical info	Description (Benennung)	Menge Quantity	Einheit Unit
0620	0732.040.736	DRUCKFEDER		COMPRESSION SPRING	1	Stk

4 *-Positions

Positions marked with an * are optional i.e. inclusion in the parts list is not mandatory.
The following note is shown on the figure

je nach Stücklistenausführung
depending on spec. number
*
suivant la nomenclature
secondo la distinta base

5 Parts, dotted display

Parts with dotted display on the figure are only used for orientation of other parts



Pos.	Information	Amendment number
001	Use case -----	
002	Customer IVECO MAGIRUS AG	
003	City Ulm	
004	DUNS 31-561-9072	
005	Classification use case -----	
006	APPROVAL NOTE 1 ERSTEINBAU*UEBERPRUEFUNG ERFORDERLICH	
008	Product description -----	
009	ATTACHED AGRREGATES 1 IT ASTRONIC	
011	OUTER DIA. OUTPUT FLANGE RA 180 mm	
012	NO.OF BORES OUTPUT FLANGE HA1 4	
014	BORE DIA. OUTPUT FLANGE RA 15 mm	
018	REF. LENGTH OUTPUT FLANGE RA 109.5 mm	
020	CONNECT.LENGTH, OUTPUT FLANGE 109.5 mm	
021	NUMBER OF OUTPUT FLANGE BORES 4	
023	OUTSIDE DIA., OUTPUT FLANGE 180 mm	
024	DIAMETER, BORE, OUTPUT FLANGE 15 mm	
025	ATTACHM.VAR,EMERG.STRG PUMP WITHOUT GROOVE	
032	ATTACHM.POS.HEAT EXCHANGER BACK LEFT	
033	1.INST.INSTRUCTION HEAT EXCHANGER WITH	
034	OIL CAPACITY, GEARBOX 21 dm3	
035	OIL FILL VARIANT EX WORKS	
036	OIL GRADE PERMISSIBLE ACC. TO TE-ML02	
037	CODING OUTER CONSERVATION KA1	
038	SCOPE OUTER CONSERVATION T	
039	CODING INNER CONSERVATION KI1	
040	CONSERVATION SPECIFICATION ZFN 916	
041	NUMBER OF PLUGS 15	
042	CODIERUNG STOPFENANZAHL	
043	COLOR BLACK-GREY	
044	COLOUR CLASSIFICATION ACC. TO RAL 7021	
046	INFO TO PAINTING INSTRUCTIONS	
047	TRANSMISSION VARIANT INTARDER	
048	NUMBER OF GEARS 12	



Pos.	Information	Amendment number
049	CHECK INFO HG GESCHALTET NACH FUNKTIONSL.	
050	HINWEIS PRUEFPROGRAMM 12GEAR DD	
052	CLEANNES SPECIFICATION ZFN 5015	
073	CLEANNES SCALE NUMBER 1 20	
074	CLEANNES SCALE NUMBER 2 16	
075	Documents -----	
076	12-SPEED GEARB. Assembly 1327.645.010	
077	12-SPEED GEARB. Drawing 1327.645.010	
078	12 AS 3000 Drawing 1329.001.010	
079	Alias ID -----	
080	IVECO MAGIRUS AG 41299143	

Assembly group overview

Material number: 1353.041.012

12 AS 2331 TD /



Page 1 from 1

Graphics	Pos.	Material number	Name	Quantity	Amend. no.	Techn. Info.
105.A1.01-1	910	1327.004.012	12 AS TDV IT	1		
105.B3.01-1	916	6009.097.012	GS 33	1		
	922	6085.020.028	IT ASTRONIC	1		
078.01.11-1	110	6085.101.039	HOUSING	1		
078.02.03-1	120	6085.102.007	CONTROL UNIT	1		
078.02.83-1	130	6085.102.813	ANCHORAGE	1		
078.02.79-1	140	6085.102.800	CLOSING COMPONENTS	1		
078.03.01-1	150	6085.103.001	PUMP	1		
078.03.80-1	160	6085.103.800	PUMP	1		
	924	6085.177.243	ACCESSORIES	1		
078.01.84-1	114	6085.101.822	HOUSING	1		
078.02.80-1	124	6085.102.821	CONTROL UNIT	1		
078.05.14-1	170	6085.105.094	HEAT EXCHANGER	1		
078.05.82-1	180	6085.105.800	HEAT EXCHANGER	1		
078.08.04-1	220	6085.108.044	OUTPUT	1		
105.C1.03-1	998	6009.397.500	INSPECTION PROGRAM	1		

Plant

Page 1 from 1

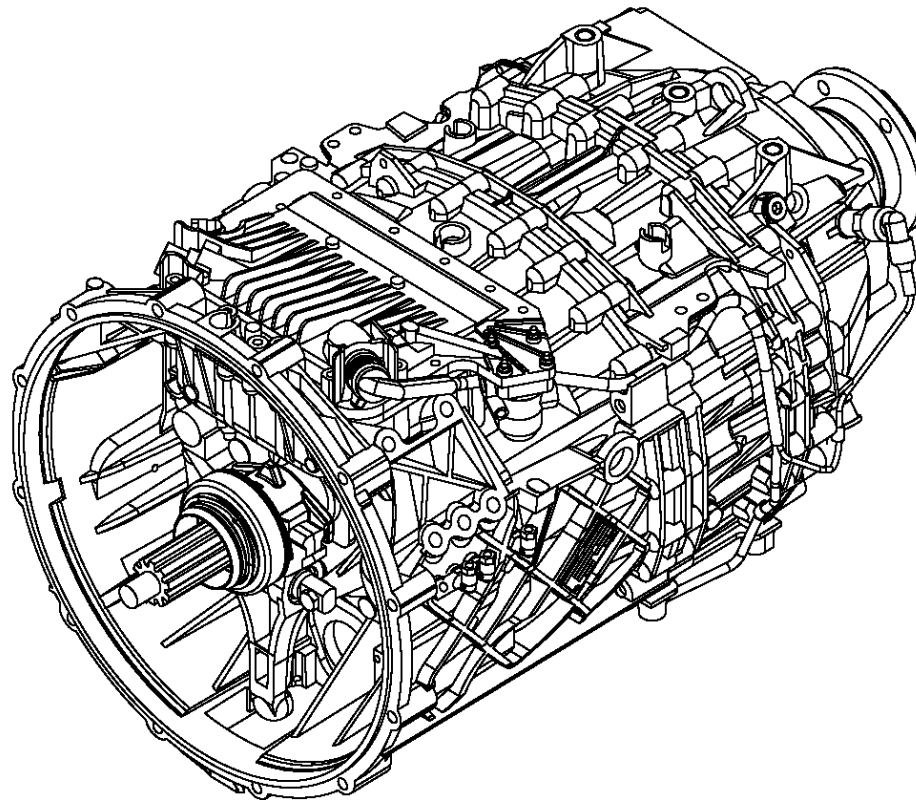
Material number: 1353.041.012

Plate: 105.A1.01-1

Material-assembly-group-no: 1327.004.012

12 AS 2331 TD /

12 AS TDV IT



Plant

Page 1 from 1

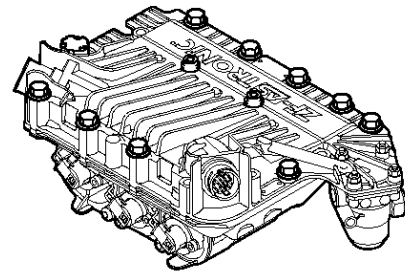
Material number: 1353.041.012

Plate: 105.B3.01-1

Material-assembly-group-no: 6009.097.012

12 AS 2331 TD /

GS 33



Parts list

Page 1 from 1

Material number: 1353.041.012 12 AS 2331 TD /
Material-assembly-group-no: 6085.020.028



Pos.	Material number	Customer material	Name	Quantity	ME	Amend. no.	Techn. Info.	Weight	Rep kit	Alternative material
110	6085.101.039		HOUSING	1			IT2200*REDUZIEREINR. *KOKILLE	0,000		
120	6085.102.007		CONTROL UNIT	1			WT-ANGEFL*DINBAJ *O.P- STRICH*PLATTE	0,000		
130	6085.102.813		ANCHORAGE	1			RVI*O.PLATTE	0,000		
140	6085.102.800		CLOSING COMPONENTS	1			STEUERUNG	0,000		
150	6085.103.001		PUMP	1			STANDARD	0,000		
160	6085.103.800		PUMP	1			6KT.SCHRAUBE M8X80	0,000		

Plant

Page 1 from 1

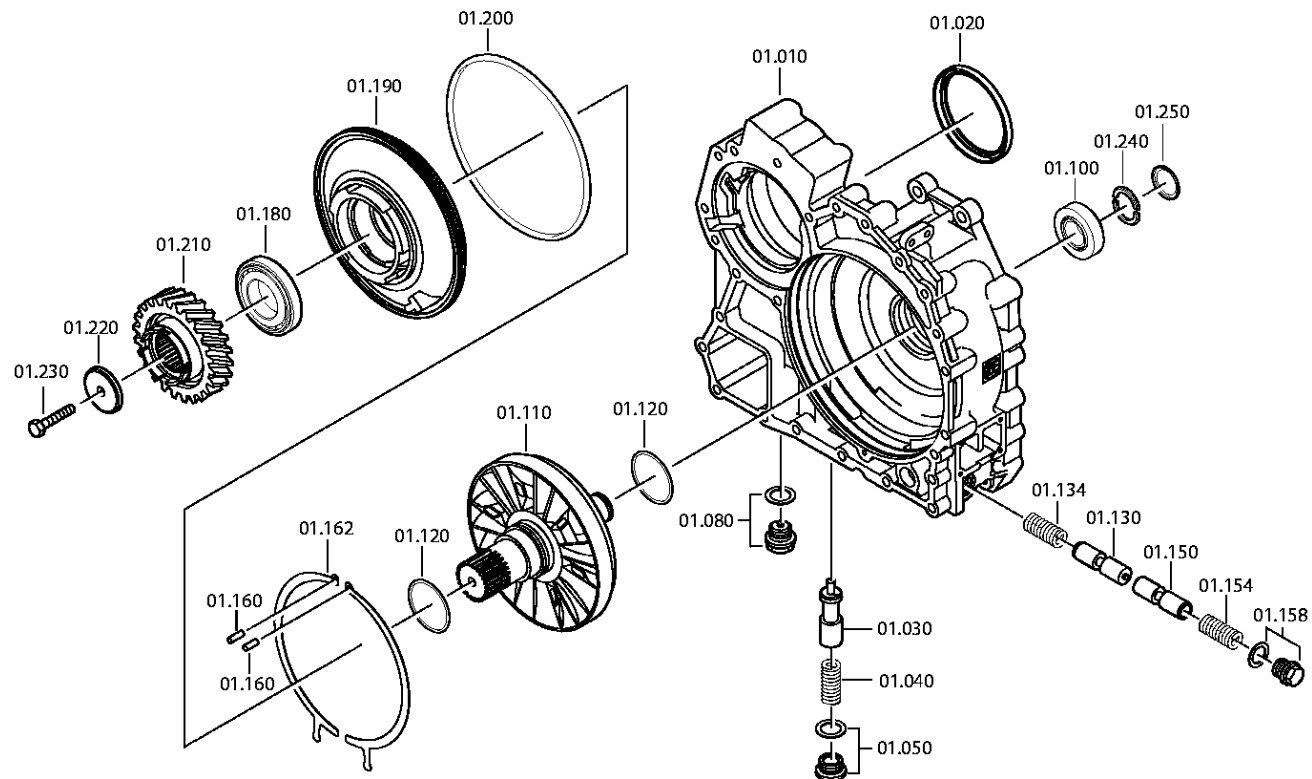
Material number: 1353.041.012

Plate: 078.01.11-1

Material-assembly-group-no: 6085.101.039

12 AS 2331 TD /

HOUSING



Parts list

Page 1 from 2

Material number: 1353.041.012

12 AS 2331 TD /

Plate: 078.01.11-1

Material-assembly-group-no: 6085.101.039



Pos.	Material number	Customer material	Name	Quantity	ME	Amend. no.	Techn. Info.	Weight	Rep kit	Alternative material
10	6085.301.218		HOUSING	1		Z00004029510	IT ASTR O.SCH.O.LP EDELSTAHL	0,000		
12	0637.510.020		PLUG	1				0,000		
14	0637.510.020		PLUG	1				0,000		
20	0734.300.421		SHAFT SEAL	1		Z00020936011	105X125X12/16	0,000		
30	6085.301.215		PISTON	1			VORSP. 1,5 BAR	0,000		
40	0732.042.403		COMPRESSION SPRING	1				0,000		
50	---		SCREW PLUG	1			60N.M*DICHTRING* LOCTITE M26X1,5	0,000		
---	0736.300.151		SCREW PLUG	1		Z00010174110	M26X1,5	0,000		
---	0634.801.256		SEALING RING	1			26X31	0,000		
80	---		SCREW PLUG	1		Z00010176111	M24X1,5	0,000		
---	0736.300.160	4471982.1	SCREW PLUG	1		Z00010176110	M24X1,5 M24X1,5	0,000		
---	0730.008.637		SEALING RING	1		Z00010176110	24X29	0,000		
100	0750.117.353	5 8275 0	TAPERED ROLLER BEARING	1			33,3X68,2X22,2	384		
110	6085.301.053		ROTOR	1				0,000		
120	0734.401.251	5 8715 0	PISTON RING	2			65,1X70,0X3,5	0,000		
130	6085.301.156		PISTON	1		C01007405B10		0,000		
134	0732.042.765		COMPRESSION SPRING	1				0,000		
150	6085.301.156		PISTON	1		C01007405B10		0,000		
154	0732.042.765		COMPRESSION SPRING	1				0,000		
158	---		SCREW PLUG	1		C01001320B10	50N.M*DICHTRING* LOCTITE M22X1,5	0,000		
---	0736.300.154		SCREW PLUG	1		Z00010175012	M22X1,5 ERZ. M22X1,5	0,000		
---	0730.009.515		SEALING RING	1			A22X27	0,000		
160	0631.306.226		CYLINDRICAL PIN	2		C01005017B10	6X32	0,000		
162	6085.301.155		OIL DAM	2		C01007405B10		0,000		
180	0750.120.067	5 8276 0	TAPERED ROLLER BEARING	1		Z00004111510	50,800X95,250X27,783	0,000		
190	6085.301.206		STATOR	1		C01007898E10		0,000		
200	0634.314.438		O-RING	1		C01004202F10	240X3	0,000		
210	6085.301.033		HELICAL GEAR	1			ENTHALT.IN 6085 301 011(1)	0,000		
220	6085.301.220	1482055	WASHER	1		Z00004072410		0,000		
230	0636.011.434	1000000346	HEXAGON SCREW	1			M12X80	0,080		

Parts list

Page 2 from 2

Material number: 1353.041.012

12 AS 2331 TD /

Plate: 078.01.11-1

Material-assembly-group-no: 6085.101.039



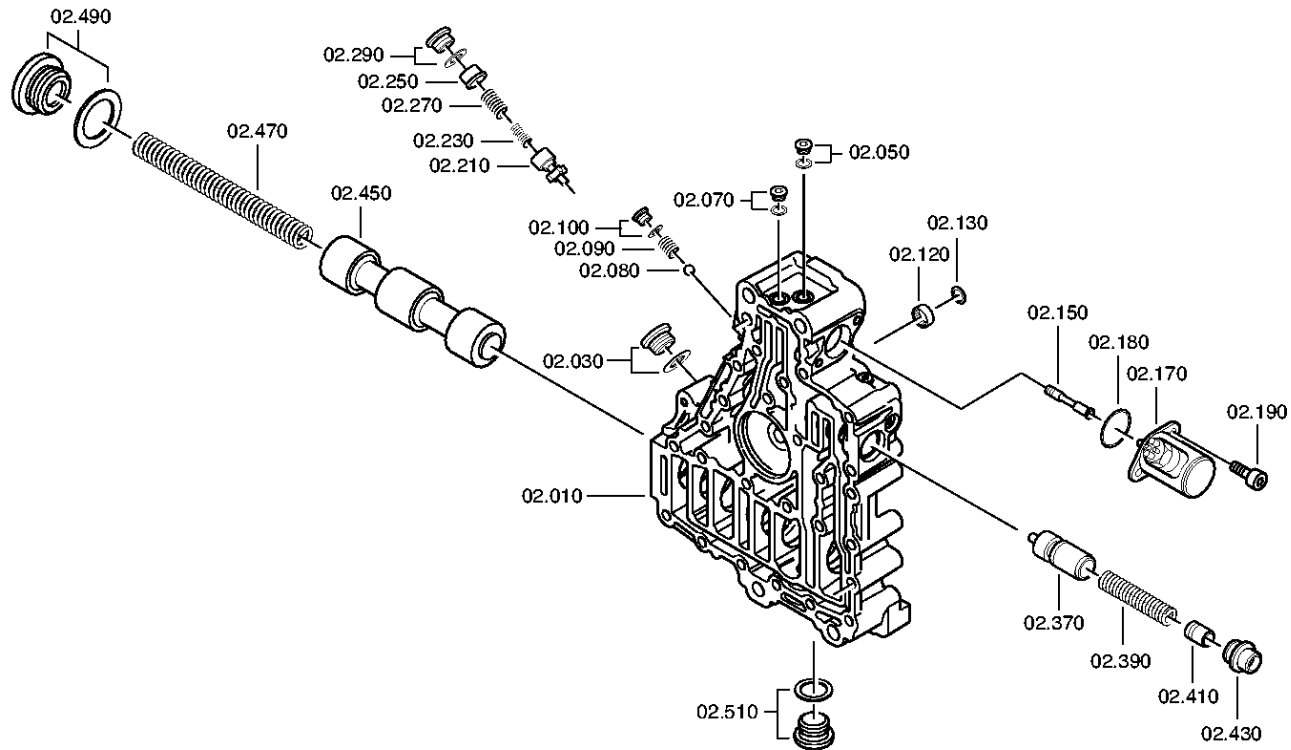
Pos.	Material number	Customer material	Name	Quantity	ME	Amend. no.	Techn. Info.	Weight	Rep kit	Alternative material
240	---		SPLIT RING	1			H= 2,90- 3,70(ABSTUFUNG:0,05MM)	0,000		
---	6085.201.054		SPLIT RING	1			KPL.A=3,70	0,000		
---	6085.201.053		SPLIT RING	1			KPL.A=3,65	0,000		
---	6085.201.052		SPLIT RING	1			KPL.A=3,60	0,000		
---	6085.201.051		SPLIT RING	1			KPL.A=3,55	0,000		
---	6085.201.050		SPLIT RING	1			KPL.A=3,50	0,000		
---	6085.201.049		SPLIT RING	1			KPL.A=3,45	0,000		
---	6085.201.048		SPLIT RING	1			KPL.A=3,40	0,000		
---	6085.201.047		SPLIT RING	1			KPL.A=3,35	0,000		
---	6085.201.046		SPLIT RING	1			KPL.A=3,30	0,000		
---	6085.201.045		SPLIT RING	1			KPL.A=3,25	0,000		
---	6085.201.044		SPLIT RING	1			KPL.A=3,20	0,000		
---	6085.201.043		SPLIT RING	1			KPL.A=3,15	0,000		
---	6085.201.042		SPLIT RING	1			KPL.A=3,10	0,000		
---	6085.201.041		SPLIT RING	1			KPL.A=3,05	0,000		
---	6085.201.040		SPLIT RING	1			KPL.A=3,00	0,000		
---	6085.201.039		SPLIT RING	1			KPL.A=2,95	0,000		
---	6085.201.038		SPLIT RING	1			KPL.A=2,90	0,000		
250	0730.063.154		RETAINING RING	1		C01004428B10	A=3,40 IN 0730 062 636(2)	0,000		
620	0730.365.241		TYPE PLATE	1			EINHEITSSCH. VERDREHSICHER	0,000		
630	0731.300.027		BLIND RIVET	4				0,000		

Plant

Page 1 from 3

Material number: 1353.041.012
Plate: 078.02.03-1
CONTROL UNIT

12 AS 2331 TD /
CONTROL UNIT

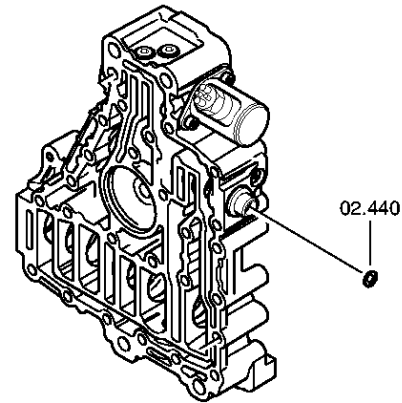


Plant

Page 2 from 3

Material number: 1353.041.012
Plate: 078.02.79-1
CONTROL UNIT

12 AS 2331 TD /
CONTROL UNIT

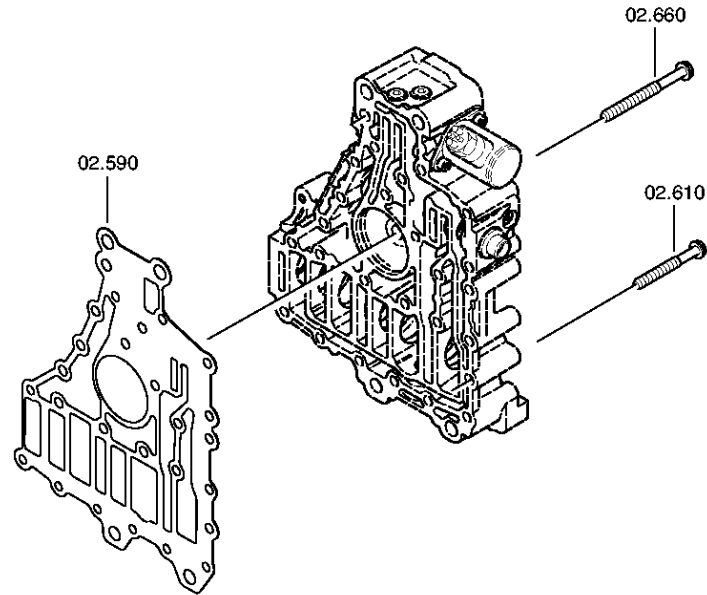


Plant

Page 3 from 3

Material number: 1353.041.012
Plate: 078.02.83-1
CONTROL UNIT

12 AS 2331 TD /
CONTROL UNIT



Parts list

Page 1 from 2

Material number: 1353.041.012

12 AS 2331 TD /

Plate: 078.02.03-1

Material-assembly-group-no: 6085.102.007



Pos.	Material number	Customer material	Name	Quantity	ME	Amend. no.	Techn. Info.	Weight	Rep kit	Alternative material
10	6085.202.010		CONTROL HOUSING	1			KPL.IT*WT-ANGEFL	0,000		
30	---		SCREW PLUG	1			60N.M*DICHTRING* LOCTITE M26X1,5	0,000		
---	0736.300.152		SCREW PLUG	1		Z00010174310	M26X1,5	0,000		
---	0634.801.256		SEALING RING	1			26X31	0,000		
50	---		SCREW PLUG	1			23N.M*DICHTRING* LOCTITE M12X1,5	0,000		
---	0636.100.792		SCREW PLUG	1		Z00010162912	M12X1,5	0,000		
---	0634.801.028		SEALING RING	1		C01002993C10	12X16	0,000		
70	---		SCREW PLUG	1			23N.M*DICHTRING* LOCTITE M12X1,5	0,000		
---	0636.100.792		SCREW PLUG	1		Z00010162912	M12X1,5	0,000		
---	0634.801.028		SEALING RING	1		C01002993C10	12X16	0,000		
80	0635.460.021	1000000324	BALL	1			10	0,010		
90	0732.041.247		COMPRESSION SPRING	1				0,000		
100	---		SCREW PLUG	1			23N.M*DICHTRING* LOCTITE M12X1,5	0,000		
---	0636.100.792		SCREW PLUG	1		Z00010162912	M12X1,5	0,000		
---	0634.801.028		SEALING RING	1		C01002993C10	12X16	0,000		
120	0635.303.038	8 8981 0	NEEDLE SLEEVE	1			12X18X12	0,000		
130	0630.532.140		V-RING	1				1		
150	6085.302.040		PISTON	1			VORSTEUERKOLBEN	0,000		
170	0501.328.508		MAGNET	1		Z00014063210	BAJONETT	0,000		
180	0634.313.017		O-RING	1			27X3	0,002		
190	0636.115.300		CAP SCREW	2		Z00007064111	M8X22	0,000		
210	6085.302.044		PISTON	1		Z00015188010	DR.BEGR. AUSSEN 12 BAR	0,000		
230	0732.042.470		COMPRESSION SPRING	1				0,000		
250	6085.302.043		PISTON	1		Z00015188010	DR.BEGR. INNEN 12 BAR	0,000		
270	0732.042.471		COMPRESSION SPRING	1				0,000		
290	---		SCREW PLUG	1			60N.M*DICHTRING* LOCTITE M26X1,5	0,000		
---	0736.300.152		SCREW PLUG	1		Z00010174310	M26X1,5	0,000		
---	0634.801.256		SEALING RING	1			26X31	0,000		

Parts list

Page 2 from 2

Material number: 1353.041.012

12 AS 2331 TD /

Plate: 078.02.03-1

Material-assembly-group-no: 6085.102.007



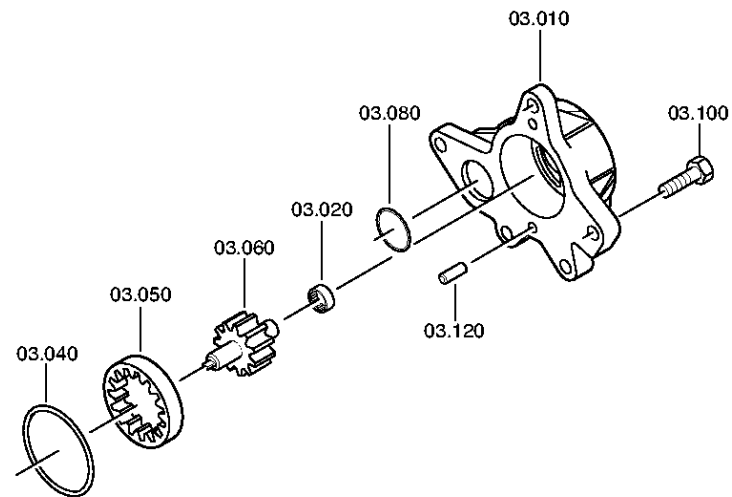
Pos.	Material number	Customer material	Name	Quantity	ME	Amend. no.	Techn. Info.	Weight	Rep kit	Alternative material
370	6085.302.041		PISTON	1			REGELKOLBEN	0,000		
390	0732.042.741		COMPRESSION SPRING	1				0,000		
410	6085.302.042		PISTON	1			REGEL INNEN	0,000		
430	6085.202.015		ADJUSTING SCREW	1			KPL.	0,000		
440	0730.301.060		SEALING CAP	1		Z00008918511		0,000		
450	6085.302.048		PISTON	1			UMSCHALTKOLBEN	0,000		
470	0732.042.402		COMPRESSION SPRING	1				0,000		
490	---		SCREW PLUG	1			150N.M*DICHTRING* LOCTITE M48X1,5	0,000		
---	0736.300.223		SCREW PLUG	1			M48X1,5 M48X1,5	0,000		
---	0634.801.329		SEALING RING	1			48X55	0,000		
510	---		SCREW PLUG	1		C01001321B10	60N.M*DICHTRING* LOCTITE M24X1,5	0,000		
---	0636.302.612		SCREW PLUG	1		Z00010164210	M24X1,5	0,000		
---	0730.008.637		SEALING RING	1			24X29	0,000		
590	0501.314.434	5 6094 0	GASKET	1				0,000		
610	0736.300.137	1197869	HEXAGON SCREW	13			M8X80 M8X80	0,000		
660	0736.300.137	1197869	HEXAGON SCREW	7			M8X80 M8X80	0,000		

Plant

Page 1 from 2

Material number: 1353.041.012
Plate: 078.03.01-1
PUMP

12 AS 2331 TD /
PUMP

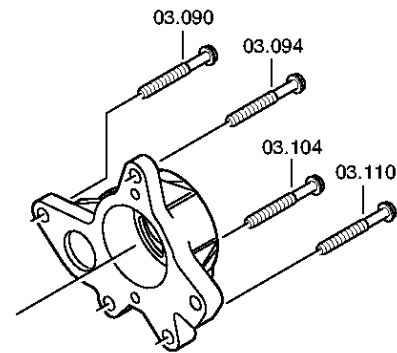


Plant

Page 2 from 2

Material number: 1353.041.012
Plate: 078.03.80-1
PUMP

12 AS 2331 TD /
PUMP



Parts list

Page 1 from 1

Material number: 1353.041.012

12 AS 2331 TD /

Plate: 078.03.01-1

Material-assembly-group-no: 6085.103.001



Pos.	Material number	Customer material	Name	Quantity	ME	Amend. no.	Techn. Info.	Weight	Rep kit	Alternative material
10	6085.303.011		PUMP HOUSING	1				0,000		
20	0635.303.038	8 8981 0	NEEDLE SLEEVE	1			12X18X12	0,000		
40	0634.313.568	T158745	O-RING	1			63X3	0,003		
50	6085.303.008		RING GEAR	1				0,000		
60	6085.203.001		SHAFT	1			KPL.	0,000		
80	0634.313.056	00579163	O-RING	1			37X3	0,002		
90	0736.300.137	1197869	HEXAGON SCREW	1		Z00009195410	M8X80 M8X80	0,000		
94	0736.300.137	1197869	HEXAGON SCREW	1		Z00009195410	M8X80 M8X80	0,000		
100	0636.100.797		HEXAGON SCREW	1		Z00007891312	M8X30	0,000		
104	0736.300.137	1197869	HEXAGON SCREW	1		Z00009195410	M8X80 M8X80	0,000		
110	0736.300.137	1197869	HEXAGON SCREW	1		Z00009195410	M8X80 M8X80	0,000		
120	0631.306.717		CYLINDRICAL PIN	2		C01004414B10	8X14	0,000		

Parts list

Page 1 from 1

Material number: 1353.041.012 12 AS 2331 TD /
Material-assembly-group-no: 6085.177.243



Pos.	Material number	Customer material	Name	Quantity	ME	Amend. no.	Techn. Info.	Weight	Rep kit	Alternative material
114	6085.101.822		HOUSING	1			IT2200 *KOKILLE	0,000		
124	6085.102.821		CONTROL UNIT	1			WT-ANGEFL*SCHR. M10X110*ASTRONIC* ANZUGSM*	0,000		
170	6085.105.094		HEAT EXCHANGER	1			LINKS*EDELSTAHL*LKW* BAJ*80*MIT*60*WA- GERA*SCHUTZKAPPE	0,000		
180	6085.105.800		HEAT EXCHANGER	1			IT151/221*IT109*IT2200 *WT-ANGEFL	0,000		
220	6085.108.044		OUTPUT	1			IT ASTRO*AD=180*LZ=4* D=15*L=109,5	0,000		

Plant

Page 1 from 1

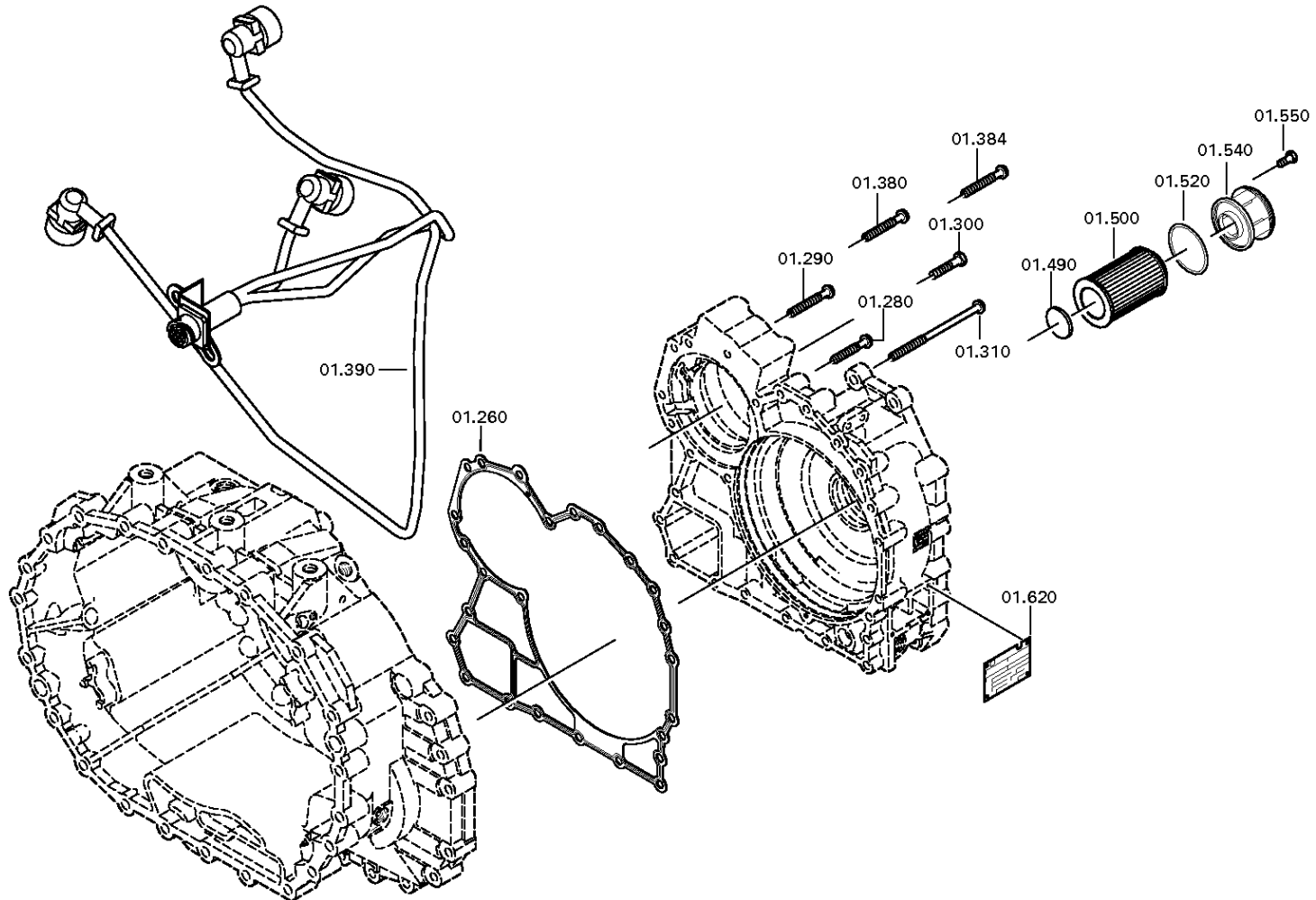
Material number: 1353.041.012

Plate: 078.01.84-1

Material-assembly-group-no: 6085.101.822

12 AS 2331 TD /

HOUSING



Parts list

Page 1 from 1

Material number: 1353.041.012

12 AS 2331 TD /

Plate: 078.01.84-1

Material-assembly-group-no: 6085.101.822



Pos.	Material number	Customer material	Name	Quantity	ME	Amend. no.	Techn. Info.	Weight	Rep kit	Alternative material
260	0501.317.289		GASKET	1			INTARDER ASTRONIC	0,000		
280	0636.016.405		HEXAGON SCREW	16		Z00007060115	M10X60	0,000		
290	0736.300.127		HEXAGON SCREW	4		Z00009403610	M10X80	0,000		
300	0636.100.413	1896939	HEXAGON SCREW	2		Z00016613710	M10X40	0,000		
310	0736.300.119	1896749	HEXAGON SCREW	3		Z00009403410	M10X140 M10X140	0,000		
490	4139.306.673		MAGNET	1		Z00016339810		0,000		
500	0501.210.798		SCREEN INSERT	1		Z00007671110	KPL.	0,000		
520	0634.313.067		O-RING	1			70X3	0,003		
540	---		COVER	1			IT FILTER*GDSL/GSL	0,000		
---	6085.301.020		COVER	1				0,000		
---	1315.378.074		COVER	1				0,000		
550	0636.024.527		HEXAGON SCREW	1		Z00007288310	M8X20	0,000		

Plant

Page 1 from 1

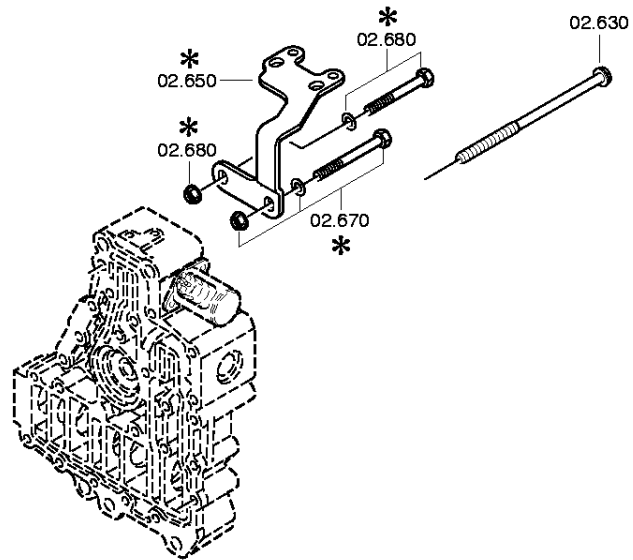
Material number: 1353.041.012

Plate: 078.02.80-1

Material-assembly-group-no: 6085.102.821

12 AS 2331 TD /

CONTROL UNIT



Parts list

Page 1 from 1

Material number: 1353.041.012

12 AS 2331 TD /

Plate: 078.02.80-1

Material-assembly-group-no: 6085.102.821



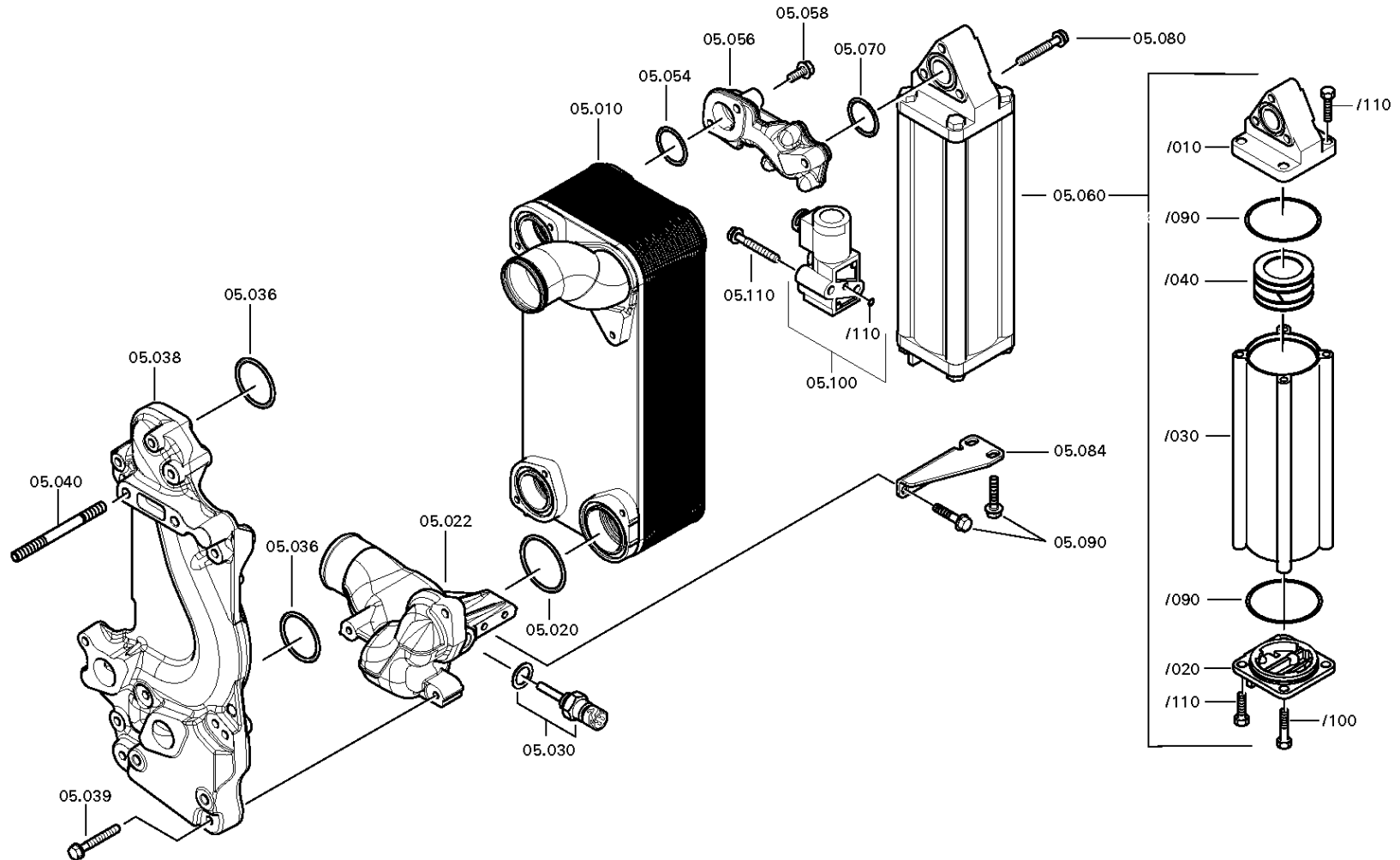
Pos.	Material number	Customer material	Name	Quantity	ME	Amend. no.	Techn. Info.	Weight	Rep kit	Alternative material
630	0736.300.122		HEXAGON SCREW	1		Z00009403110	M10X110 M10X110	0,000		

Plant

Page 1 from 2

Material number: 1353.041.012
Plate: 078.05.14-1
HEAT EXCHANGER

12 AS 2331 TD /
HEAT EXCHANGER

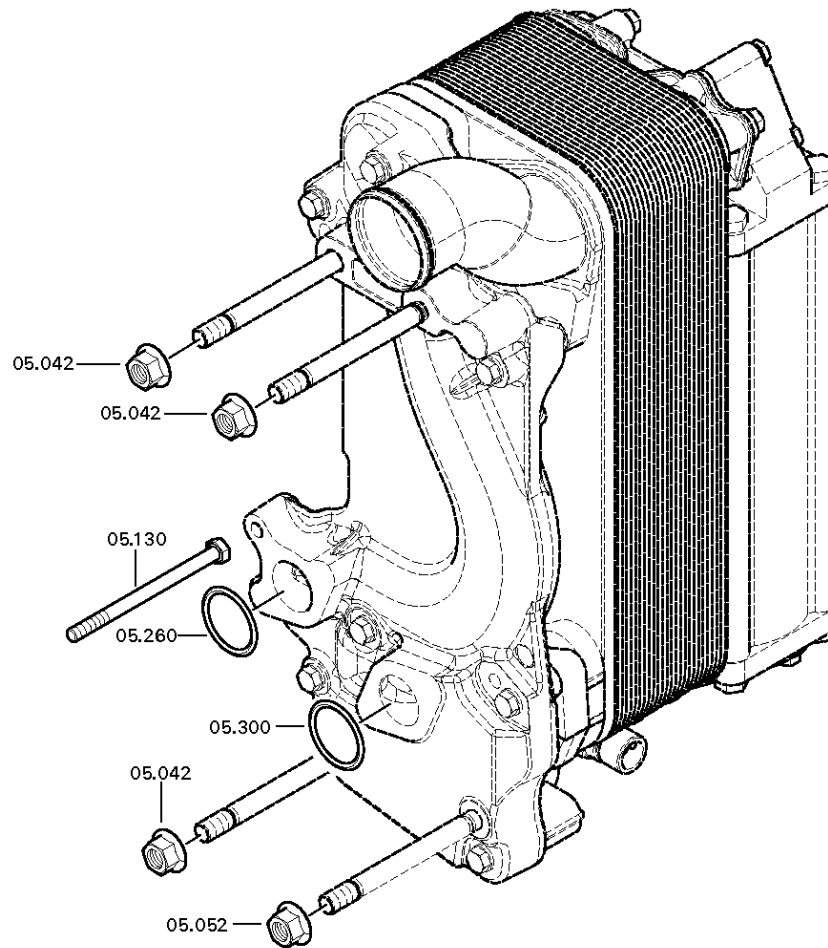


Plant

Page 2 from 2

Material number: 1353.041.012
Plate: 078.05.82-1
HEAT EXCHANGER

12 AS 2331 TD /
HEAT EXCHANGER



Parts list

Page 1 from 2

Material number: 1353.041.012

12 AS 2331 TD /

Plate: 078.05.14-1

Material-assembly-group-no: 6085.105.094



Pos.	Material number	Customer material	Name	Quantity	ME	Amend. no.	Techn. Info.	Weight	Rep kit	Alternative material
10	0501.217.248		HEAT EXCHANGER	1		Z00004287210	KPL.	0,000		
20	0634.100.059	7421941911	O-RING	1		Z00004287210	58X4	0,000		
22	6085.205.013		CONNECTING HOUSING	1		Z00004287210	KPL.	0,000		
30	---		TEMPERATURE SENSOR	1		Z00004287210	BAJONETT*SCHUTZKAPPE	0,000		
---	0501.322.529		TEMPERATURE SENSOR	1		Z00004287210	BAJONETT	0,000		
---	0634.801.056	S300496	SEALING RING	1		Z00004287210	18X22	1		
---	0700.300.427		PROTECTION CAP	1		Z00004287210		0,005		
36	0634.313.622	7421942226	O-RING	2		Z00004287210	50X4	0,000		
38	6085.305.219		INTERMHOUSING	1		Z00004287210	SENKRECHT	0,000		
39	0736.300.135	81.90001-0428	HEXAGON SCREW	9		Z00009195110	M8X60	0,000		
40	0636.604.572		STUD	4		Z00007281314	M12X120	0,000		
42	---		HEXAGON NUT	3			M12	0,000		
---	0637.025.112		HEXAGON NUT	3		Z00007283610	M12	0,000		
52	---		HEXAGON NUT	1			M12	0,000		
---	0637.025.112		HEXAGON NUT	1		Z00007283610	M12	0,000		
54	0634.316.059	8900108145	O-RING	1		Z00004287210	38X3	2		
56	6085.305.124		OIL FEEDHOUSG	1		Z00004287210		0,000		
58	0636.102.399		HEXAGON SCREW	3		Z00010895010	M8X38	0,000		
60	0501.209.460	2268.061.0030	ACCUMULATOR	1		Z00004287210	KPL.	0,000		
/10	0501.315.808	H0247914	COVER	1			ENTHALT.IN 0501 209 460(0)	0,000		
/20	0501.315.809		VALVE CARRIER	1			ENTHALT.IN 0501 209 460(0)	0,000		
/30	0501.315.810		TUBE	1			ENTHALT.IN 0501 209 460(0)	0,000		
/40	0501.218.028	H0472059	PISTON	1		Z00006675410	KPL.	0,000		
/90	0634.316.510	571813008	O-RING	2			80X3	0,030		
/100	0636.011.755		HEXAGON SCREW	1		Z00007049011	M10X60	0,000		
/110	0636.015.682		HEXAGON SCREW	7		Z00007056513	M10X35	0,000		
70	0634.316.059	8900108145	O-RING	1		Z00004287210	38X3	2		
80	0736.300.135	81.90001-0428	HEXAGON SCREW	3		Z00009195110	M8X60	0,000		
84	6085.305.125		FIXING PLATE	1		Z00004287210		0,000		
90	0636.100.435	7421945306	HEXAGON SCREW	4		Z00007063110	M8X20	0,000		
100	0501.321.459		VALVE	1		Z00004287210	BAJONETT	0,000		

Parts list

Page 2 from 2

Material number: 1353.041.012

12 AS 2331 TD /

Plate: 078.05.14-1

Material-assembly-group-no: 6085.105.094



Pos.	Material number	Customer material	Name	Quantity	ME	Amend. no.	Techn. Info.	Weight	Rep kit	Alternative material
/110	0634.316.159		O-RING	1			7X2	0,000		
110	0736.300.135	81.90001-0428	HEXAGON SCREW	2		Z00009195110	M8X60	0,000		
130	0636.011.770		HEXAGON SCREW	1		Z00007055610	M8X115	0,000		
260	0634.313.056	00579163	O-RING	1			37X3	0,002		
300	0634.313.056	00579163	O-RING	1			37X3	0,002		

Plant

Page 1 from 1

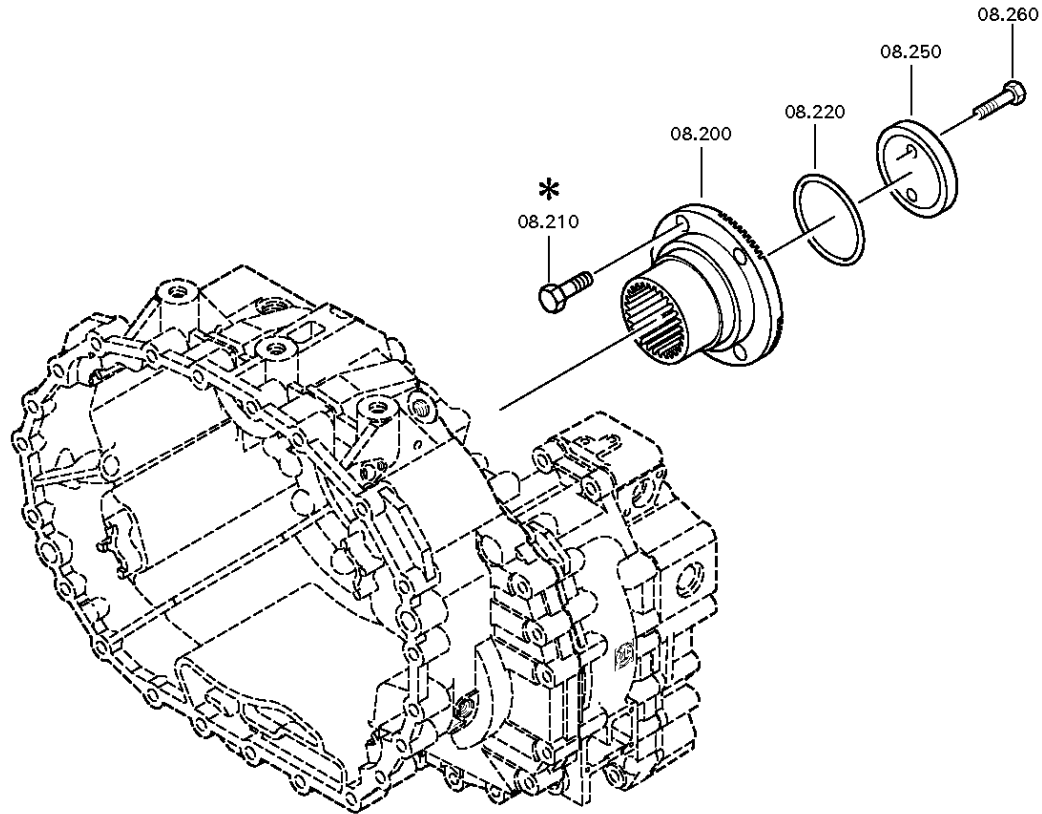
Material number: 1353.041.012

Plate: 078.08.04-1

Material-assembly-group-no: 6085.108.044

12 AS 2331 TD /

OUTPUT



Parts list

Page 1 from 1

Material number: 1353.041.012

12 AS 2331 TD /

Plate: 078.08.04-1

Material-assembly-group-no: 6085.108.044



Pos.	Material number	Customer material	Name	Quantity	ME	Amend. no.	Techn. Info.	Weight	Rep kit	Alternative material
200	1358.332.226		OUTPUT FLANGE	1		Z00020936011	BESCHICHTET	0,000		
220	0634.313.805		O-RING	1			82X4	0,000		
250	1312.332.028		WASHER	1				0,000		
260	0636.011.777		HEXAGON SCREW	2		Z00007292012	M12X60	0,000		

Plant

Page 1 from 1

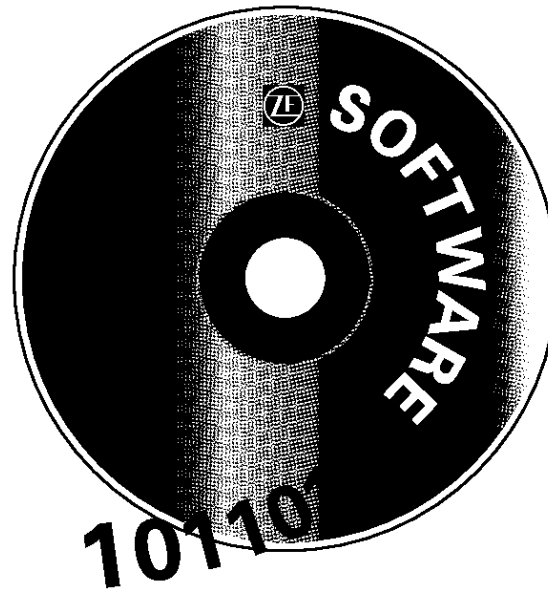
Material number: 1353.041.012

Plate: 105.C1.03-1

Material-assembly-group-no: 6009.397.500

12 AS 2331 TD /

INSPECTION PROGRAM



Parts list

Page 1 from 1

Material number: 1353.041.012

12 AS 2331 TD /

Plate: 105.C1.03-1

Material-assembly-group-no: 6009.397.500



Pos.	Material number	Customer material	Name	Quantity	ME	Amend. no.	Techn. Info.	Weight	Rep kit	Alternative material
998	6009.397.500		INSPECTION PROGRAM	1			12G DD PAK9	0,000		



Pos.	Information	Amendment number
001	Use case -----	
002	Customer IVECO MAGIRUS AG	
003	City Ulm	
004	DUNS 31-561-9072	
005	Product description -----	
006	TRANSMISSION ATTACHMENT FLANGE-MOUNTED	
007	RATIO, BOTTOM GEAR 15.86	
008	RATIO, TOP GEAR 1	
009	RATIO, 1ST GEAR 15.86	
010	RATIO, 2ND GEAR 12.32	
011	RATIO, 3RD GEAR 9.56	
012	RATIO, 4TH GEAR 7.43	
013	RATIO, 5TH GEAR 5.87	
014	RATIO, 6TH GEAR 4.56	
015	RATIO, 7TH GEAR 3.47	
016	RATIO, 8TH GEAR 2.7	
017	RATIO, 9TH GEAR 2.09	
018	RATIO, 10TH GEAR 1.63	
019	RATIO, 11TH GEAR 1.28	
020	RATIO, 12TH GEAR 1	
025	RATIO, 1ST GEAR REVERSE 14.68	
026	RATIO, 2ND GEAR REVERSE 11.41	
027	SET OF RATIOS DG	
031	REFERENCE LENGTH INPUT SHAFT 117 mm	
032	STANDARD TYPE INPUT SHAFT SAE	
033	NUMBER OF WEDGES INPUT SHAFT 10	
034	VERSION OF INPUT SHAFT FORM C	
035	NOMINAL DIAMETER INPUT SHAFT 2 in	
036	DIAMETER, JOURNAL, INPUT SHAFT 25 mm	
037	TYPE FIT SPIGOTS INPUT SHAFT F7	
038	DIAMETER SHAFT OF INPUT SHAFT 50.3 mm	
039	BUSH VARIANT INPUT SHAFT WITHOUT GROOVE	
042	DESIGN,CONN., CLUTCH HOUSING SAE 1	



Pos.	Information	Amendment number
043	CENTR.DIA,HSG/ENGINE CONNECT. 511.175 mm	
044	NUMBER OF BORES,ENGINE CONN. 12	
045	BORE DIA, ENGINE CONNECTION 11 mm	
047	REF.LENGTH,RELEASE BEAR.FLAN -23.3 mm	
048	DIAMETER, RELEASE FLANGE 62.611 mm	
054	DESIGN RELEASE BEARING WITHOUT GROOVE	
055	PRESSURE ROD y	
066	SWITCH, NEUTRAL GEAR y	
067	DESIGN,NG(NEUTRAL GEAR)SWITCH OPENING SWITCH	
068	PROT.CAP SWITCH, NEUTRAL GEAR y	
080	IMPULSZAHL IMP.GEBER SFI H78 8.14 IMP/U	
081	AUSF IMPULSGEBER SFI H78 WITH	
082	SCHUTZKAPPE IMP.GEBER RET H78 y	
083	NO.OF PULSES PULSE SENSOR RET. H80 8.14 IMP/U	
084	DESIGN PULSE SENSOR RETARDER H80 WITH	
085	MOUNTING POSITION PULSE SENSOR H80 INTARDER	
086	PROT.CAP PULSE SENSOR RET. H80 y	
087	DESIGN CONN.PULSE SENSOR RET H80 DIN BAYONET	
088	DESIGN PULSE SENSOR RETARDER H80 KITAS II	
089	NOTE PULSE SENSOR H80 ADR-EXPLOSION-PROOF	
093	ATTACHM.VAR,EMERG.STRG PUMP WITHOUT GROOVE	
095	DESIGN GEARING AT AN ANGLE	
096	NUMBER, POLES, CLUTCH ACTUATOR 20	
100	PULSE SENSOR TRANSMISSION WITH	
101	PROT.CAP PULSE SENSOR GEARBOX y	
102	PULSE RATE PULSE SENS GEARBOX 8.140 IMP/U	
103	TACHO IMPULSGEBER y	
104	PROTECTING CAP SPEEDO PULSE SENSOR WITH	
105	PULSE RATE, SPEEDO 8.140 IMP/U	
106	DESIG,CONN,SPEEDO PULSE SENSOR DIN BAYONET	
107	DESIGN, SPEEDO PULSE SENSOR KITAS	
110	RELEASE LEVER y	
111	Documents -----	



Pos.	Information	Amendment number
112	GEARBOX Assembly 1327.030.021	
113	GEARBOX Drawing 1327.030.021	
114	GEARBOX Drawing 1328.192.002	
115	12 AS 3000 Drawing 1329.001.010	

Assembly group overview

Material number: 1327.004.012

12 AS 2331 TD /



Page 1 from 1

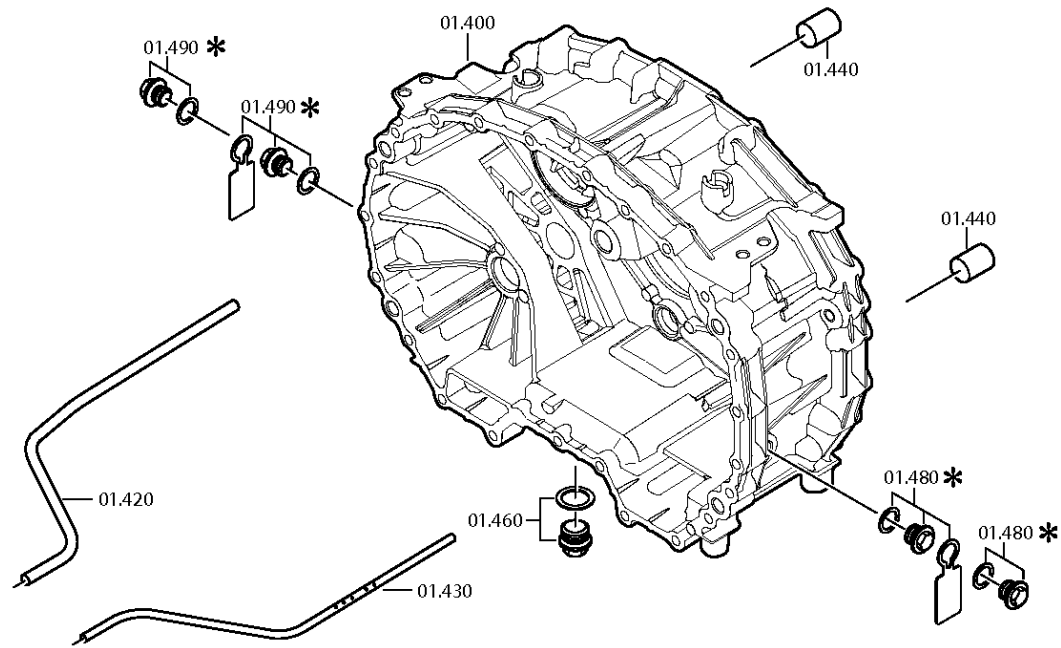
Graphics	Pos.	Material number	Name	Quantity	Amend. no.	Techn. Info.
105.01.43-1	110	1327.101.019	TRANSMISSION HOUSING	1		
105.01.05-1	120	1328.101.816	TRANSMISSION HOUSING	1		
105.02.03-1	10	1327.102.014	INPUT SHAFT	1		
105.02.40-1	140	1328.102.403	CONNECTION PLATE	1		
105.02.80-1	150	1328.102.804	CONNECTION PLATE	1		
105.03.02-1	20	1327.103.008	COUNTERSHAFT	1		
105.03.80-1	180	1327.103.803	BRAKE	1		
105.04.05-1	30	1327.104.010	MAIN SHAFT	1		
105.05.01-1	220	1328.105.005	RETURN	1		
105.06.08-1	230	1327.106.004	SHIFT SYSTEM	1		
105.06.40-1	234	1328.106.401	CONNECTING PARTS	1		
105.06.80-1	240	1328.106.803	SHIFT SYSTEM	1		
105.40.05-1	500	1328.112.004	GV-SHIFT SYSTEM	1		
069.43.04-1	10	1314.131.023	RC HOUSING	1		
105.43.41-1	20	1328.131.437	CLOSING COMPONENTS	1		
105.43.80-1	580	1328.131.802	RC HOUSING	1		
105.43.42-1	590	1328.131.428	CONNECTING PARTS	1		
105.44.01-1	30	1328.132.008	PLANETARY DRIVE	1		
105.44.80-1	600	1328.132.803	PLANETARY DRIVE	1		
105.45.01-1	50	1328.133.003	SYNCHRONIZER	1		
105.46.03-1	60	1327.134.007	GP SHIFT SYSTEM	1		
105.93.06-1	300	1328.168.013	CLUTCH RELEASE DEVICE	1		
105.93.88-1	50	1328.168.841	CLUTCH RELEASE DEVICE	1		

Plant

Page 1 from 2

Material number: 1327.004.012
Plate: 105.01.43-1
TRANSMISSION HOUSING

12 AS 2331 TD /
TRANSMISSION HOUSING

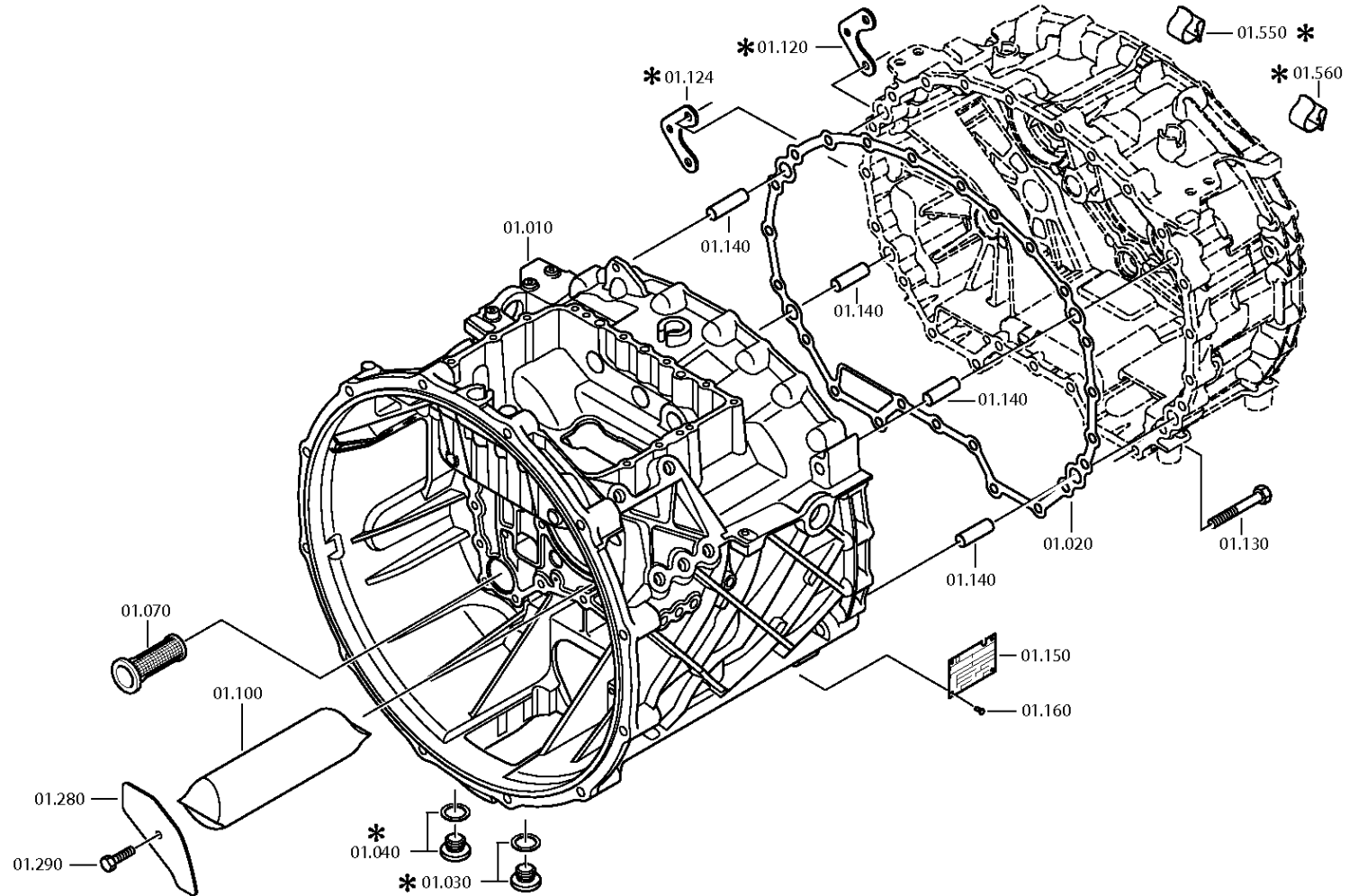


Plant

Page 2 from 2

Material number: 1327.004.012
Plate: 105.01.05-1
TRANSMISSION HOUSING

**12 AS 2331 TD /
TRANSMISSION HOUSING**



Parts list

Page 1 from 2

Material number: 1327.004.012

12 AS 2331 TD /

Plate: 105.01.43-1

Material-assembly-group-no: 1327.101.019



Pos.	Material number	Customer material	Name	Quantity	ME	Amend. no.	Techn. Info.	Weight	Rep kit	Alternative material
10	---		HOUSING I	1		Z00002906014	GEH.I*2BOH LINKS* STANDARD	0,000		
---	1328.301.139		HOUSING	1		Z00002906023		0,000		
---	1328.301.148		HOUSING	1		Z00002906023	+GF+	0,000		
20	0501.324.367		FLAT GASKET	1		C01004200F10		0,000		
30	---		SCREW PLUG	1		Z00010164013	50N.M*DICHTRING M22X1,5	0,000		
---	0636.100.824		SCREW PLUG	1		Z00010164019	M22X1,5	0,000		
---	0730.009.515		SEALING RING	1		Z00010164019	A22X27	0,000		
40	---		SCREW PLUG	1		Z00010164013	50N.M*DICHTRING M22X1,5	0,000		
---	0636.100.824		SCREW PLUG	1		Z00010164019	M22X1,5	0,000		
---	0730.009.515		SEALING RING	1		Z00010164019	A22X27	0,000		
70	0501.318.802	5718 742 08	SCREEN INSERT	1				0,000		
100	1328.301.011		BREATHER	1				0,000		
130	0636.016.405		HEXAGON SCREW	24		Z00007060110	M10X60	0,000		
140	0731.201.563		CYLINDRICAL PIN	4				0,000		
150	0730.365.241		TYPE PLATE	1			EINHEITSSCH. VERDREHSICHER	0,000		
160	0731.300.027		BLIND RIVET	4		Z00007904810		0,000		
280	1328.301.168		COVER	1		Z00011353810		0,000		
290	0636.016.401		HEXAGON SCREW	1			M8X25	0,000		
400	---		HOUSING II	1		Z00013574310		0,000		
---	1327.301.049		HOUSING	1		Z00003675715	GEHAEUSE KURZ	0,000		
---	1327.301.050		HOUSING	1		Z00003675715	GEHAEUSE II KURZ +GF+	0,000		
420	1327.301.027		SPRAY TUBE	1			ASTRONIC 2	0,000		
430	1327.301.028		SPRAY TUBE	1			ASTRONIC 2	0,000		
440	0731.201.700		PIN	2				0,000		
460	---		SCREW PLUG	1		Z00010176111	60N.M*O-RING MIT GLEIT- IE*MAGNET M24X1,5	0,000		
---	0736.300.160	4471982.1	SCREW PLUG	1			M24X1,5 M24X1,5	0,000		
---	0634.349.842	99707034432	O-RING	1		Z00010176110	21X2	0,000		
480	---		SCREW PLUG	1		Z00010112111	60N.M*O-RING MIT GLEIT- IE M24X1,5	0,000		

Parts list

Page 2 from 2

Material number: 1327.004.012

12 AS 2331 TD /

Plate: 105.01.43-1

Material-assembly-group-no: 1327.101.019



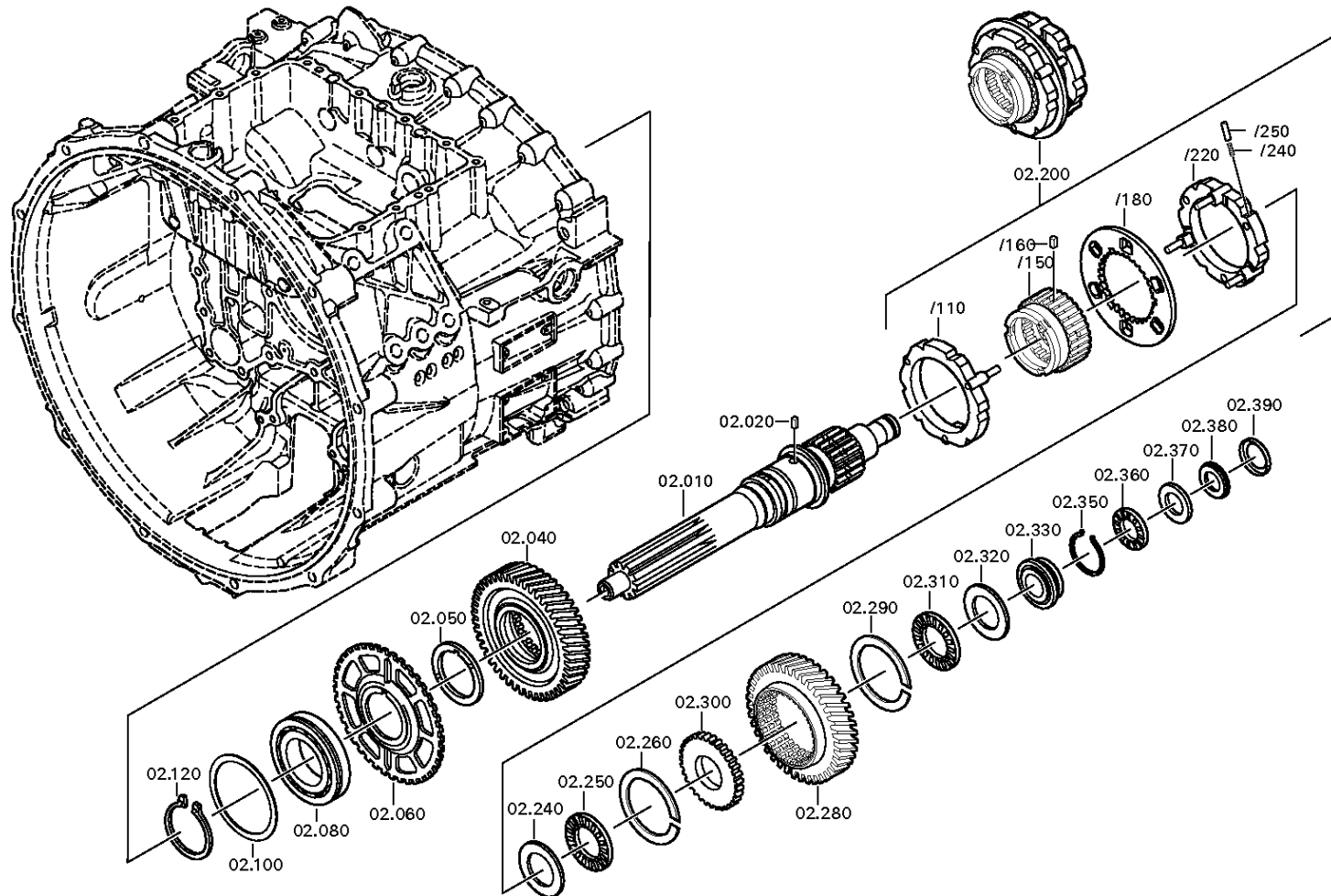
Pos.	Material number	Customer material	Name	Quantity	ME	Amend. no.	Techn. Info.	Weight	Rep kit	Alternative material
---	0636.304.088		SCREW PLUG	1		Z00010112110	M24X1,5	0,000		
---	0634.349.842	99707034432	O-RING	1		Z00010112110	21X2	0,000		
490	---		SCREW PLUG	1		Z00010112111	60N.M*O-RING MIT GLEIT- IE M24X1,5	0,000		
---	0636.304.088		SCREW PLUG	1		Z00010112110	M24X1,5	0,000		
---	0634.349.842	99707034432	O-RING	1		Z00010112110	21X2	0,000		

Plant

Page 1 from 3

Material number: 1327.004.012
Plate: 105.02.03-1
INPUT SHAFT

12 AS 2331 TD /
INPUT SHAFT

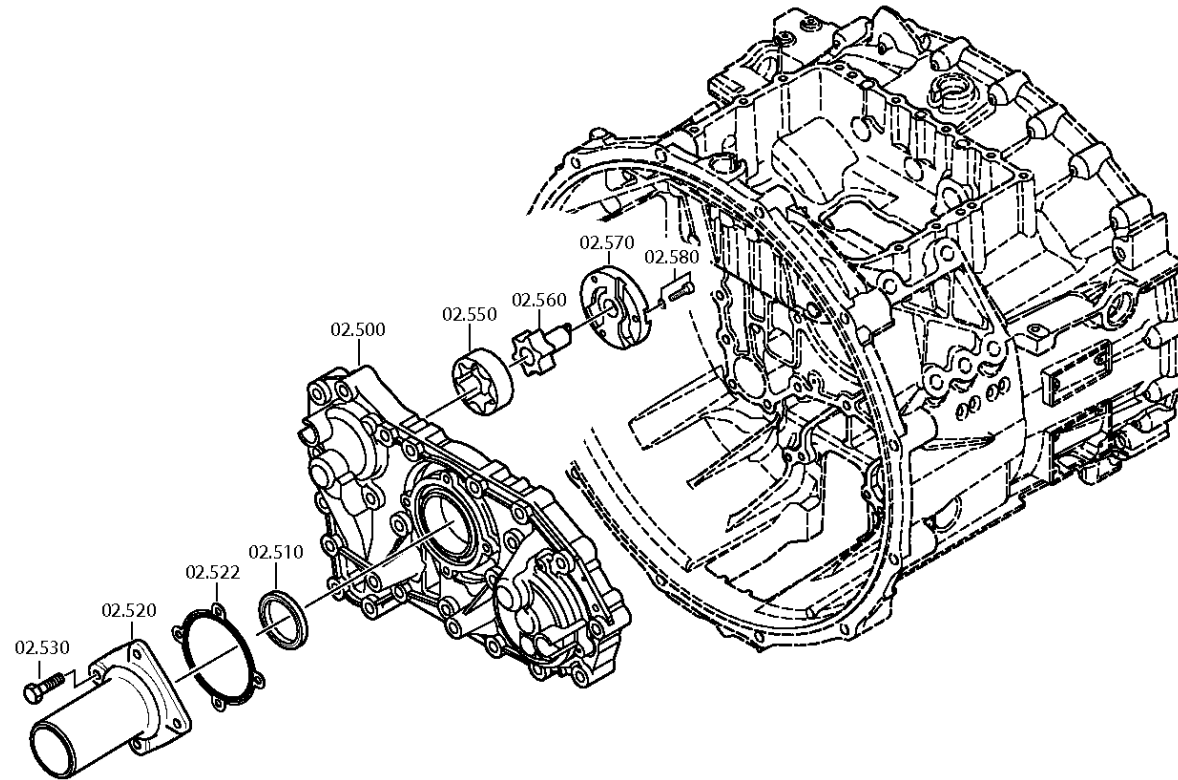


Plant

Page 2 from 3

Material number: 1327.004.012
Plate: 105.02.40-1
INPUT SHAFT

12 AS 2331 TD /
INPUT SHAFT

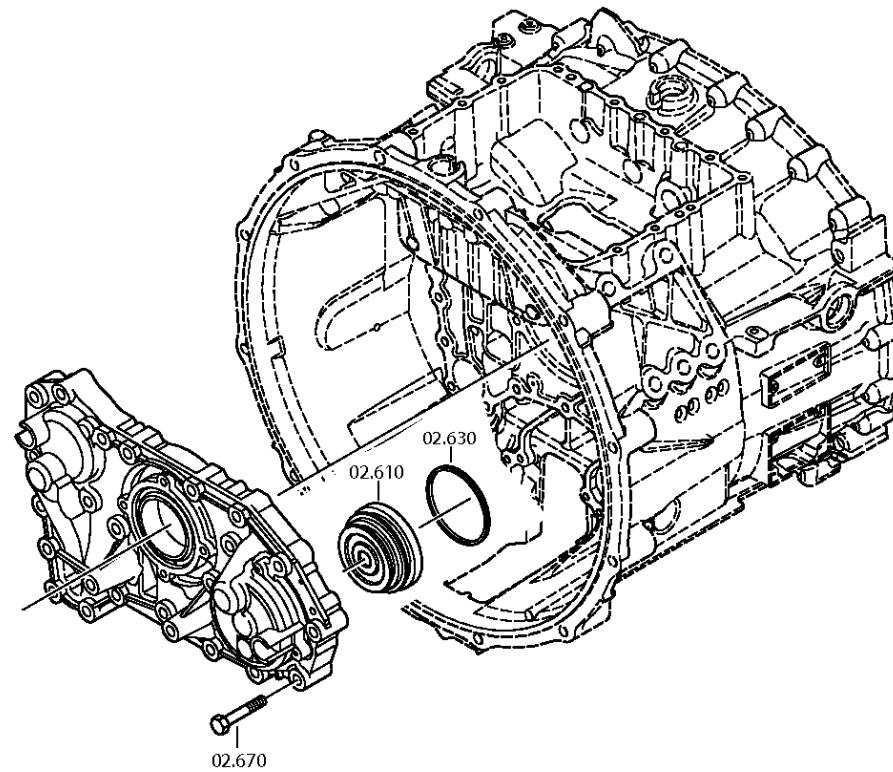


Plant

Page 3 from 3

Material number: 1327.004.012
Plate: 105.02.80-1
INPUT SHAFT

12 AS 2331 TD /
INPUT SHAFT



Parts list

Page 1 from 4

Material number: 1327.004.012

12 AS 2331 TD /

Plate: 105.02.03-1

Material-assembly-group-no: 1327.102.014



Pos.	Material number	Customer material	Name	Quantity	ME	Amend. no.	Techn. Info.	Weight	Rep kit	Alternative material
10	1328.302.077		INPUT SHAFT	1		C01000283B10		0,000		
20	1328.302.072		PIN	1			ENTHALT.IN 1328 302 073(2)	0,000		
40	1327.302.005		HELICAL GEAR	1			KONSTR.1	0,000		
50	0730.110.392		THRUST WASHER	1			A=6,00	0,000		
60	1328.302.024		COUNTING DISC	1				0,000		
80	0750.116.365		BALL BEARING	1		C01000283B10	65,0X120,0X23,0	0,000		
100	---		WASHER	1			H= 1,40- 2,00(ABSTUFUNG:0,05MM)	0,000		
---	0730.008.532		SHIM	1			A=2,00 IN 0730 008 519(2)	0,000		
---	0730.008.531		SHIM	1			A=1,95 IN 0730 008 519(2)	0,000		
---	0730.008.530		SHIM	1			A=1,90 IN 0730 008 519(2)	0,000		
---	0730.008.529		SHIM	1			A=1,85 IN 0730 008 519(2)	0,000		
---	0730.008.528		SHIM	1			A=1,80 IN 0730 008 519(2)	0,000		
---	0730.008.527		SHIM	1			A=1,75 IN 0730 008 519(2)	0,000		
---	0730.008.526		SHIM	1			A=1,70 IN 0730 008 519(2)	0,000		
---	0730.008.525	571787308	SHIM	1			A=1,65 IN 0730 008 519(2)	0,000		
---	0730.008.524		SHIM	1			A=1,60 IN 0730 008 519(2)	0,000		
---	0730.008.523		SHIM	1			A=1,55 IN 0730 008 519(2)	0,000		
---	0730.008.522		SHIM	1			A=1,50 IN 0730 008 519(2)	0,000		
---	0730.008.521		SHIM	1			A=1,45 IN 0730 008 519(2)	0,000		
---	0730.008.520		SHIM	1			A=1,40 IN 0730 008 519(2)	0,000		

Parts list

Page 2 from 4

Material number: 1327.004.012

12 AS 2331 TD /

Plate: 105.02.03-1

Material-assembly-group-no: 1327.102.014



Pos.	Material number	Customer material	Name	Quantity	ME	Amend. no.	Techn. Info.	Weight	Rep kit	Alternative material
120	---		RETAINING RING	1		C01003290B10	H= 3,25- 4,00(ABSTUFUNG:0,05MM)	0,000		
---	0730.501.360		RETAINING RING	1				0,000		
---	0730.501.359		RETAINING RING	1			A=3,95 IN 0730 501 232(2)	0,000		
---	0730.501.358		RETAINING RING	1			A=3,90 IN 0730 501 232(2)	0,000		
---	0730.501.357		RETAINING RING	1			A=3,85 IN 0730 501 232(2)	0,000		
---	0730.501.356		RETAINING RING	1			A=3,80 65 x 3.8	0,000		
---	0730.501.355		RETAINING RING	1			A=3,75 IN 0730 501 232(2)	0,000		
---	0730.501.354		RETAINING RING	1			A=3,70 IN 0730 501 232(2)	0,000		
---	0730.501.597		RETAINING RING	1			A=3,65 IN 0730 501 232(2)	0,000		
---	0730.501.596		RETAINING RING	1			A=3,60 IN 0730 501 232(2)	0,000		
---	0730.501.595		RETAINING RING	1			A=3,55 IN 0730 501 232(2)	0,000		
---	0730.501.594		RETAINING RING	1			A=3,50 IN 0730 501 232(2)	0,000		
---	0730.501.593		RETAINING RING	1			A=3,45 IN 0730 501 232(2)	0,000		
---	0730.501.592		RETAINING RING	1			A=3,40 IN 0730 501 232(2)	0,000		
---	0730.501.591		RETAINING RING	1			A=3,35 IN 0730 501 232(2)	0,000		
---	0730.501.590		RETAINING RING	1			A=3,30 IN 0730 501 232(2)	0,000		
---	0730.501.589		RETAINING RING	1			A=3,25 IN 0730 501 232(2)	0,000		
200	1328.202.050		SYNCHRONIZER	1		Z00006834612	KPL.DD ZF50	0,000		
/110	1328.202.046	1856703	SYNCHRONIZER	1		Z00006834611	KPL.	0,000		
/150	1328.302.064	57181208	GEAR SHIFT SLEEVE	1		Z00006834611		0,000		

Parts list

Page 3 from 4

Material number: 1327.004.012

12 AS 2331 TD /

Plate: 105.02.03-1

Material-assembly-group-no: 1327.102.014



Pos.	Material number	Customer material	Name	Quantity	ME	Amend. no.	Techn. Info.	Weight	Rep kit	Alternative material
/160	1328.302.072		PIN	1		Z00006834611	ENTHALT.IN 1328 302 073(2)	0,000		
/180	1328.302.132		PLATE	1		Z00006834611		0,000		
/220	1328.202.047	1856704	SYNCHRO RING	1		Z00006834611	KPL. DD	0,000		
/240	0732.040.385	3362640693	COMPRESSION SPRING	3		Z00006834611		0,000		
/250	0635.470.046		CYLINDER ROLLER	3		Z00006834611	7X10	0,000		
240	0730.111.066		WASHER	1				0,000		
250	0735.301.274		AXIAL ROLLER RING	1		Z00021358610	43,0X73,0X8,0	0,000		
260	0730.513.973		SNAP RING	1		C01000695D10	A=2,50	0,000		
280	1327.304.015		HELICAL GEAR	1		C01008756A10	KONST.2 IN 1327 304 020(1)	0,000		
290	---		RETAINING RING	1		C01000881E10	H= 2,50- 2,80(ABSTUFUNG:0,05MM)	0,000		
---	0730.513.973		SNAP RING	1			A=2,50	0,000		
---	0730.514.006		SNAP RING	1			A=2,55	0,000		
---	0730.514.007		SNAP RING	1			A=2,60	0,000		
---	0730.514.008		SNAP RING	1			A=2,65	0,000		
---	0730.514.009		SNAP RING	1			A=2,70	0,000		
---	0730.514.010		SNAP RING	1			A=2,75	0,000		
---	0730.514.011		SNAP RING	1			A=2,80	0,000		
300	1328.302.061		BEARING DISK	1				0,000		
310	0735.301.274		AXIAL ROLLER RING	1		Z00021358610	43,0X73,0X8,0	0,000		
320	0730.111.066		WASHER	1				0,000		
330	1328.302.075		BEARING RING	1		C01007933A10		0,000		
350	0730.513.641		RETAINING RING	1			A=2,00	0,000		
360	0735.321.381		AXIAL ROLLER RING	1			30,0X52,0X7,5	0,000		
370	0730.109.641		WASHER	1			A=5,00	0,000		
380	1328.202.038		SPLIT RING	1		C01003205D10	KPL.	0,000		
390	0730.063.258		RETAINING RING	1			A=5,90	0,000		
500	1328.302.096		CONNECTION PLATE	1				0,000		
510	---		SHAFT SEAL	1			55X70X8	0,000		
---	0734.319.847		SHAFT SEAL	1		Z00004478710	55X70X8	0,000		
520	1328.302.202		RELEASE FLANGE	1		Z00015386810		0,000		
522	0501.321.451		GASKET	1		C01004201E10		0,000		

Parts list

Page 4 from 4

Material number: 1327.004.012

12 AS 2331 TD /

Plate: 105.02.03-1

Material-assembly-group-no: 1327.102.014



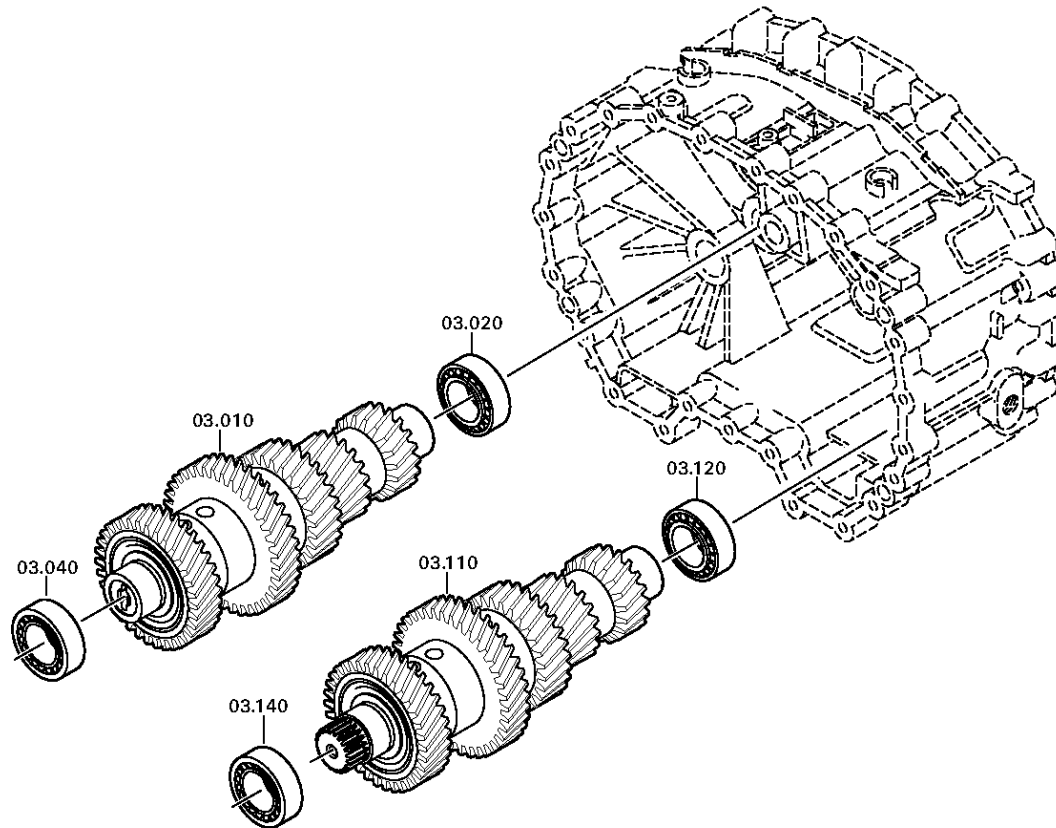
Pos.	Material number	Customer material	Name	Quantity	ME	Amend. no.	Techn. Info.	Weight	Rep kit	Alternative material
530	0636.016.401		HEXAGON SCREW	4			M8X25	0,000		
550	1315.303.027	5 5857 0	ROTOR	1				0,000		
560	1314.202.039	5 5842 0	PUMP SHAFT	1			KPL.	0,000		
570	1314.302.138		PUMP COVER	1				0,000		
580	0736.101.051		TORX SCREW	3			M6X25	0,008		
610	1328.202.024	571875008	PISTON	1			KPL.	0,000		
630	0501.326.576	1886888	GROOVED RING	1		Z00008973110	70,8X84,6X8,1X6,7	0,000		
670	0636.102.270	0636 102 270 01	HEXAGON SCREW	22		Z00009177410	M10X60	0,000		

Plant

Page 1 from 2

Material number: 1327.004.012
Plate: 105.03.02-1
COUNTERSHAFT

12 AS 2331 TD /
COUNTERSHAFT

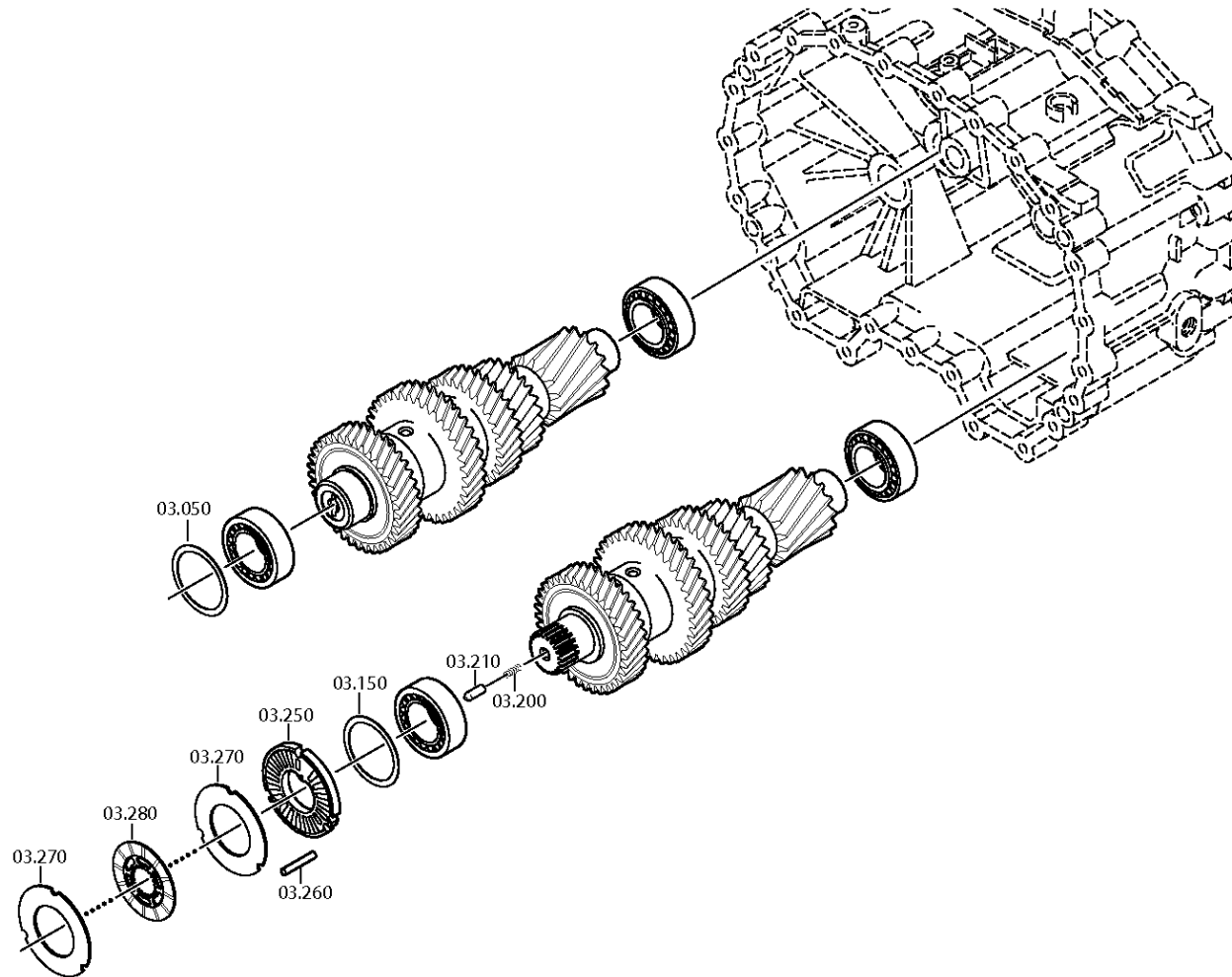


Plant

Page 2 from 2

Material number: 1327.004.012
Plate: 105.03.80-1
COUNTERSHAFT

12 AS 2331 TD /
COUNTERSHAFT



Parts list

Page 1 from 4

Material number: 1327.004.012

12 AS 2331 TD /

Plate: 105.03.02-1

Material-assembly-group-no: 1327.103.008



Pos.	Material number	Customer material	Name	Quantity	ME	Amend. no.	Techn. Info.	Weight	Rep kit	Alternative material
10	1327.203.043		COUNTERSHAFT	1			KPL. *SEGMENT* 12AS2501*DD	0,000		
20	0750.117.640		TAPERED ROLLER BEARING	1			50,0X90,0X28,0	0,750		
40	0750.117.640		TAPERED ROLLER BEARING	1			50,0X90,0X28,0	0,750		
50	---		SHIM	1			H= 1,70- 2,80(ABSTUFUNG:0,05MM)	0,000		
---	0730.008.303		SHIM	1			A=2,80 IN 0730 005 413(2)	0,000		
---	0730.008.302		SHIM	1			A=2,75 IN 0730 005 413(2)	0,000		
---	0730.008.301		SHIM	1			A=2,70 IN 0730 005 413(2)	0,030		
---	0730.008.299		SHIM	1			A=2,65 IN 0730 005 413(2)	0,030		
---	0730.008.298		SHIM	1			A=2,60 IN 0730 005 413(2)	0,030		
---	0730.008.297		SHIM	1			A=2,55 IN 0730 005 413(2)	0,020		
---	0730.008.296		SHIM	1			A=2,50 IN 0730 005 413(2)	10		
---	0730.008.295		SHIM	1			A=2,45 IN 0730 005 413(2)	30		
---	0730.008.294		SHIM	1			A=2,40 IN 0730 005 413(2)	25		
---	0730.008.293		SHIM	1			A=2,35 IN 0730 005 413(2)	30		
---	0730.008.292		SHIM	1			A=2,30 IN 0730 005 413(2)	25		
---	0730.007.787		SHIM	1			A=2,25 IN 0730 005 413(2)	25		
---	0730.007.786		SHIM	1			A=2,20 IN 0730 005 413(2)	25		
---	0730.007.785		SHIM	1			A=2,15 IN 0730 005 413(2)	20		

Parts list

Page 2 from 4

Material number: 1327.004.012

12 AS 2331 TD /

Plate: 105.03.02-1

Material-assembly-group-no: 1327.103.008



Pos.	Material number	Customer material	Name	Quantity	ME	Amend. no.	Techn. Info.	Weight	Rep kit	Alternative material
---	0730.007.784		SHIM	1			A=2,10 IN 0730 005 413(2)	25		
---	0730.007.783	2836668	SHIM	1			A=2,05 IN 0730 005 413(2)	20		
---	0730.008.154	8900126912	SHIM	1			A=1,95 IN 0730 005 413(2)	20		
---	0730.001.009	1000000446	SHIM	1			A=2,00 IN 0730 005 413(2)	23		
---	0730.008.053	8900126911	SHIM	1			A=1,90 IN 0730 005 413(2)	25		
---	0730.005.817	8900126910	SHIM	1			A=1,85 IN 0730 005 413(2)	20		
---	0730.008.052	8900126909	SHIM	1			A=1,80 IN 0730 005 413(2)	20		
---	0730.005.816	03-11801428	SHIM	1			A=1,75 IN 0730 005 413(2)	20		
---	0730.008.051	8900126908	SHIM	1			A=1,70 IN 0730 005 413(2)	20		
110	1327.203.045		COUNTERSHAFT	1			KPL. *SEGMENT* 12AS2501*DD	0,000		
120	0750.117.640		TAPERED ROLLER BEARING	1			50,0X90,0X28,0	0,750		
140	0750.117.640		TAPERED ROLLER BEARING	1			50,0X90,0X28,0	0,750		
150	---		SHIM	1			H= 1,70- 2,80(ABSTUFUNG:0,05MM)	0,000		
---	0730.008.303		SHIM	1			A=2,80 IN 0730 005 413(2)	0,000		
---	0730.008.302		SHIM	1			A=2,75 IN 0730 005 413(2)	0,000		
---	0730.008.301		SHIM	1			A=2,70 IN 0730 005 413(2)	0,030		
---	0730.008.299		SHIM	1			A=2,65 IN 0730 005 413(2)	0,030		
---	0730.008.298		SHIM	1			A=2,60 IN 0730 005 413(2)	0,030		

Parts list

Page 3 from 4

Material number: 1327.004.012

12 AS 2331 TD /

Plate: 105.03.02-1

Material-assembly-group-no: 1327.103.008



Pos.	Material number	Customer material	Name	Quantity	ME	Amend. no.	Techn. Info.	Weight	Rep kit	Alternative material
---	0730.008.297		SHIM	1			A=2,55 IN 0730 005 413(2)	0,020		
---	0730.008.296		SHIM	1			A=2,50 IN 0730 005 413(2)	10		
---	0730.008.295		SHIM	1			A=2,45 IN 0730 005 413(2)	30		
---	0730.008.294		SHIM	1			A=2,40 IN 0730 005 413(2)	25		
---	0730.008.293		SHIM	1			A=2,35 IN 0730 005 413(2)	30		
---	0730.008.292		SHIM	1			A=2,30 IN 0730 005 413(2)	25		
---	0730.007.787		SHIM	1			A=2,25 IN 0730 005 413(2)	25		
---	0730.007.786		SHIM	1			A=2,20 IN 0730 005 413(2)	25		
---	0730.007.785		SHIM	1			A=2,15 IN 0730 005 413(2)	20		
---	0730.007.784		SHIM	1			A=2,10 IN 0730 005 413(2)	25		
---	0730.007.783	2836668	SHIM	1			A=2,05 IN 0730 005 413(2)	20		
---	0730.008.154	8900126912	SHIM	1			A=1,95 IN 0730 005 413(2)	20		
---	0730.001.009	1000000446	SHIM	1			A=2,00 IN 0730 005 413(2)	23		
---	0730.008.053	8900126911	SHIM	1			A=1,90 IN 0730 005 413(2)	25		
---	0730.005.817	8900126910	SHIM	1			A=1,85 IN 0730 005 413(2)	20		
---	0730.008.052	8900126909	SHIM	1			A=1,80 IN 0730 005 413(2)	20		
---	0730.005.816	03-11801428	SHIM	1			A=1,75 IN 0730 005 413(2)	20		

Parts list

Page 4 from 4

Material number: 1327.004.012

12 AS 2331 TD /

Plate: 105.03.02-1

Material-assembly-group-no: 1327.103.008



Pos.	Material number	Customer material	Name	Quantity	ME	Amend. no.	Techn. Info.	Weight	Rep kit	Alternative material
---	0730.008.051	8900126908	SHIM	1			A=1,70 IN 0730 005 413(2)	20		
200	0732.042.766		COMPRESSION SPRING	1			ASTRONIC 2 HG/GV/GP	0,000		
210	0731.208.242		DETENT PIN	1				0,000		
250	1328.302.118		BRAKE COVER	1		C01009620B10		0,000		
260	0631.306.699		CYLINDRICAL PIN	3			8X50	0,000		
270	1314.303.077	42291012	OUTER CLUTCH DISK	4			ENTHALT.IN 1314 303 079(1)	0,000		
280	0501.214.821		INNER CLUTCH DISK	2		C01004746F10	KPL.HC100.3, DM100	0,000		

Plant

Page 1 from 1

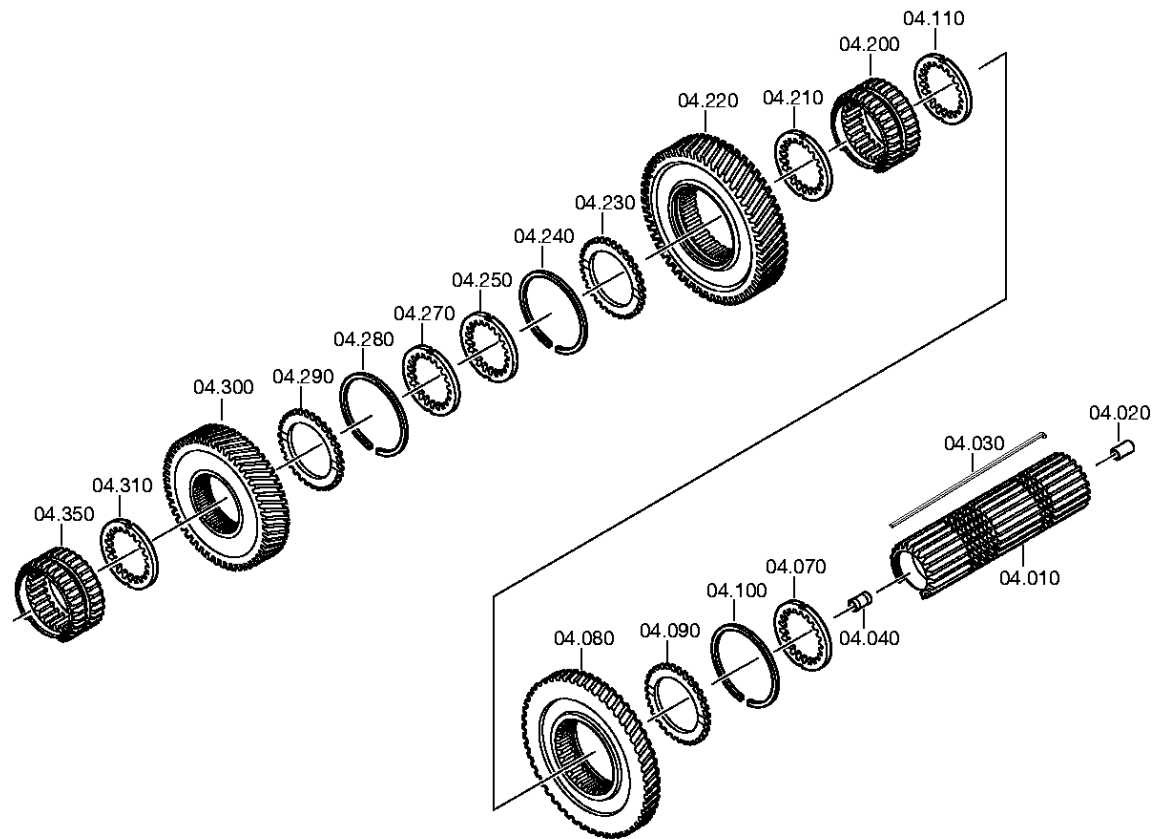
Material number: 1327.004.012

Plate: 105.04.05-1

Material-assembly-group-no: 1327.104.010

12 AS 2331 TD /

MAIN SHAFT



Parts list

Page 1 from 2

Material number: 1327.004.012

12 AS 2331 TD /

Plate: 105.04.05-1

Material-assembly-group-no: 1327.104.010



Pos.	Material number	Customer material	Name	Quantity	ME	Amend. no.	Techn. Info.	Weight	Rep kit	Alternative material
10	1327.304.032		MAIN SHAFT	1				0,000		
20	1314.332.043		OIL TUBE	1				0,000		
30	1328.304.035		WEDGE	1				0,000		
40	1314.304.097		OIL TUBE	1				0,000		
70	1314.304.008		WASHER	1			A=7,00	0,000		
80	1328.304.067		HELICAL GEAR	1		Z00019301110	RG	0,000		
90	1314.304.119		WASHER	1			ENTHALT.IN 1314 304 095(2)	0,000		
100	---		SNAP RING	1			H= 2,50- 2,70(ABSTUFUNG:0,05MM)	0,000		
---	0730.513.973		SNAP RING	1			A=2,50	0,000		
---	0730.514.006		SNAP RING	1			A=2,55	0,000		
---	0730.514.007		SNAP RING	1			A=2,60	0,000		
---	0730.514.008		SNAP RING	1			A=2,65	0,000		
---	0730.514.009		SNAP RING	1			A=2,70	0,000		
110	---		WASHER	1			H= 7,00- 7,20(ABSTUFUNG:0,05MM)	0,000		
---	1314.304.008		WASHER	1			A=7,00	0,000		
---	1327.304.033		WASHER	1			A=7,05	0,000		
---	1327.304.034		WASHER	1			A=7,10	0,000		
---	1327.304.035		WASHER	1			A=7,15	0,000		
---	1327.304.036		WASHER	1			A=7,20	0,000		
200	1328.304.064		SLIDING SLEEVE	1				0,000		
210	1314.304.008		WASHER	1			A=7,00	0,000		
220	1328.304.060		HELICAL GEAR	1			1G	0,000		
230	1314.304.119		WASHER	1			ENTHALT.IN 1314 304 095(2)	0,000		
240	---		SNAP RING	1			H= 2,50- 2,70(ABSTUFUNG:0,05MM)	0,000		
---	0730.513.973		SNAP RING	1			A=2,50	0,000		
---	0730.514.006		SNAP RING	1			A=2,55	0,000		
---	0730.514.007		SNAP RING	1			A=2,60	0,000		
---	0730.514.008		SNAP RING	1			A=2,65	0,000		
---	0730.514.009		SNAP RING	1			A=2,70	0,000		

Parts list

Page 2 from 2

Material number: 1327.004.012

12 AS 2331 TD /

Plate: 105.04.05-1

Material-assembly-group-no: 1327.104.010



Pos.	Material number	Customer material	Name	Quantity	ME	Amend. no.	Techn. Info.	Weight	Rep kit	Alternative material
250	---		WASHER	1			H= 7,00- 7,20(ABSTUFUNG:0,05MM)	0,000		
---	1314.304.008		WASHER	1			A=7,00	0,000		
---	1327.304.033		WASHER	1			A=7,05	0,000		
---	1327.304.034		WASHER	1			A=7,10	0,000		
---	1327.304.035		WASHER	1			A=7,15	0,000		
---	1327.304.036		WASHER	1			A=7,20	0,000		
270	1314.304.008		WASHER	1			A=7,00	0,000		
280	---		SNAP RING	1			H= 2,50- 2,70(ABSTUFUNG:0,05MM)	0,000		
---	0730.513.973		SNAP RING	1			A=2,50	0,000		
---	0730.514.006		SNAP RING	1			A=2,55	0,000		
---	0730.514.007		SNAP RING	1			A=2,60	0,000		
---	0730.514.008		SNAP RING	1			A=2,65	0,000		
---	0730.514.009		SNAP RING	1			A=2,70	0,000		
290	1314.304.119		WASHER	1			ENTHALT.IN 1314 304 095(2)	0,000		
300	1327.304.024		HELICAL GEAR	1			2G IN 1327 304 021(1)	0,000		
310	---		WASHER	1			H= 7,00- 7,20(ABSTUFUNG:0,05MM)	0,000		
---	1314.304.008		WASHER	1			A=7,00	0,000		
---	1327.304.033		WASHER	1			A=7,05	0,000		
---	1327.304.034		WASHER	1			A=7,10	0,000		
---	1327.304.035		WASHER	1			A=7,15	0,000		
---	1327.304.036		WASHER	1			A=7,20	0,000		
350	1328.304.064		SLIDING SLEEVE	1				0,000		

Plant

Page 1 from 1

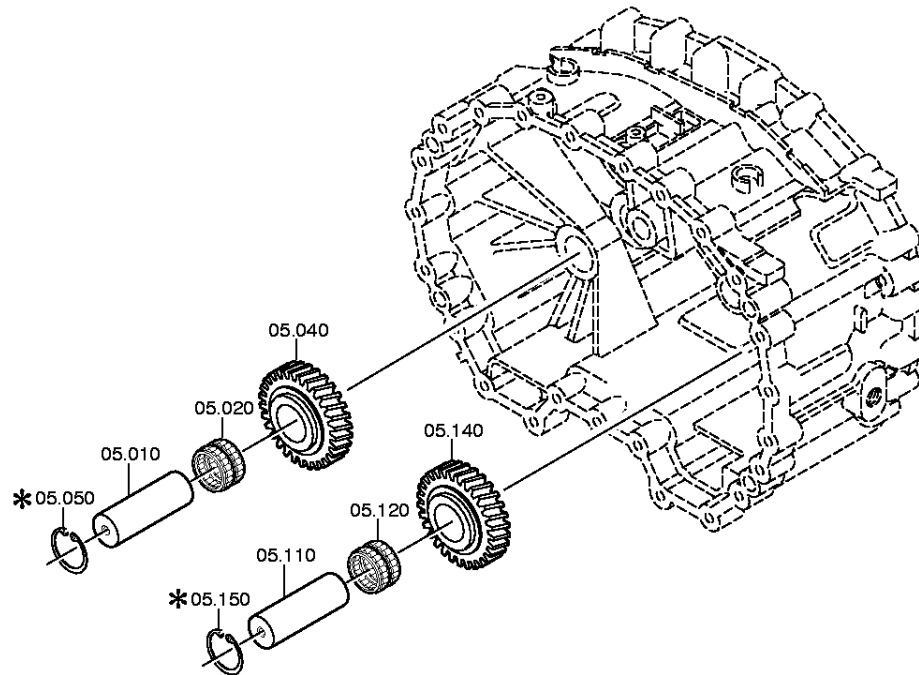
Material number: 1327.004.012

Plate: 105.05.01-1

Material-assembly-group-no: 1328.105.005

12 AS 2331 TD /

RETURN



Parts list

Page 1 from 1

Material number: 1327.004.012

12 AS 2331 TD /

Plate: 105.05.01-1

Material-assembly-group-no: 1328.105.005



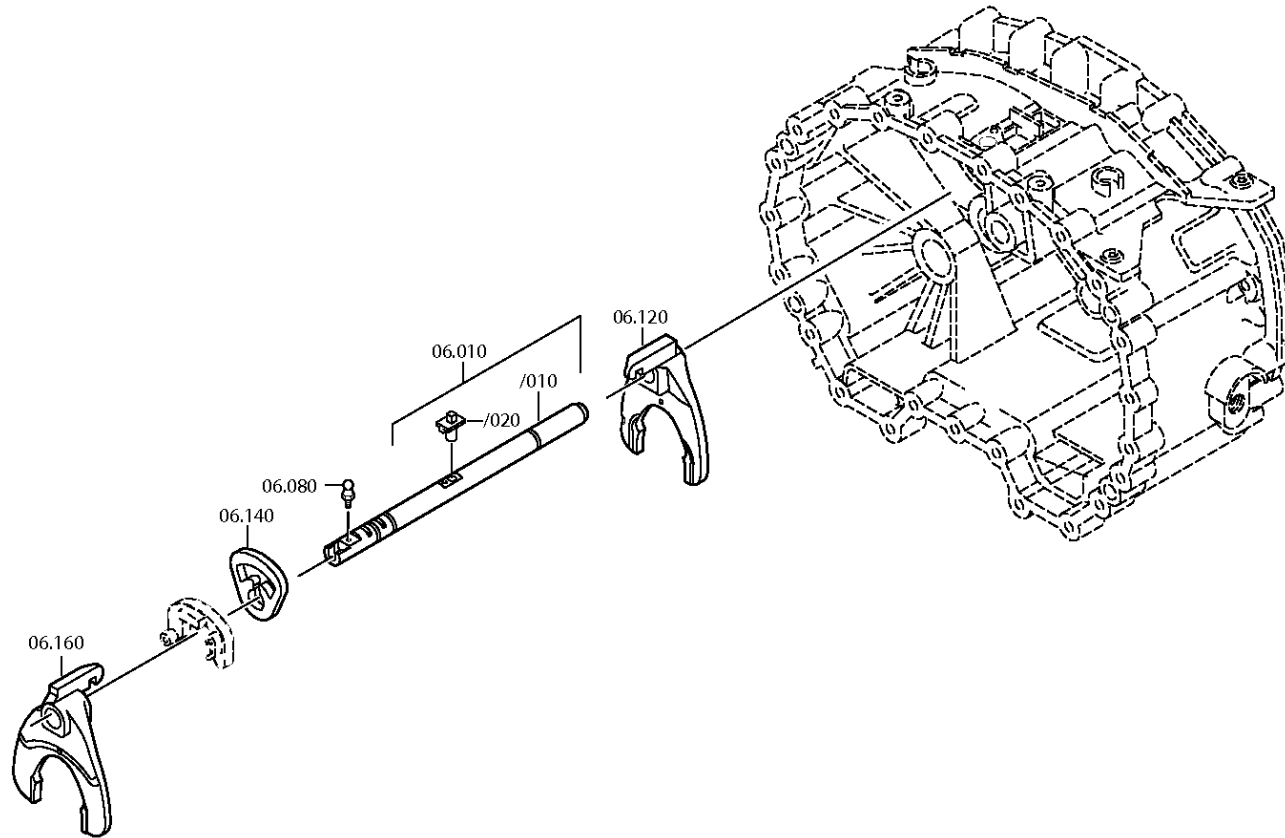
Pos.	Material number	Customer material	Name	Quantity	ME	Amend. no.	Techn. Info.	Weight	Rep kit	Alternative material
10	1328.305.007		REVERSE IDLER SHAFT	1				0,000		
20	0735.321.454		NEEDLE CAGE	1			40,0X48,0X40,0	0,000		
40	1328.305.015		HELICAL GEAR	1		Z00019301110	RG	0,000		
110	1328.305.007		REVERSE IDLER SHAFT	1				0,000		
120	0735.321.454		NEEDLE CAGE	1			40,0X48,0X40,0	0,000		
140	1328.305.015		HELICAL GEAR	1		Z00019301110	RG	0,000		

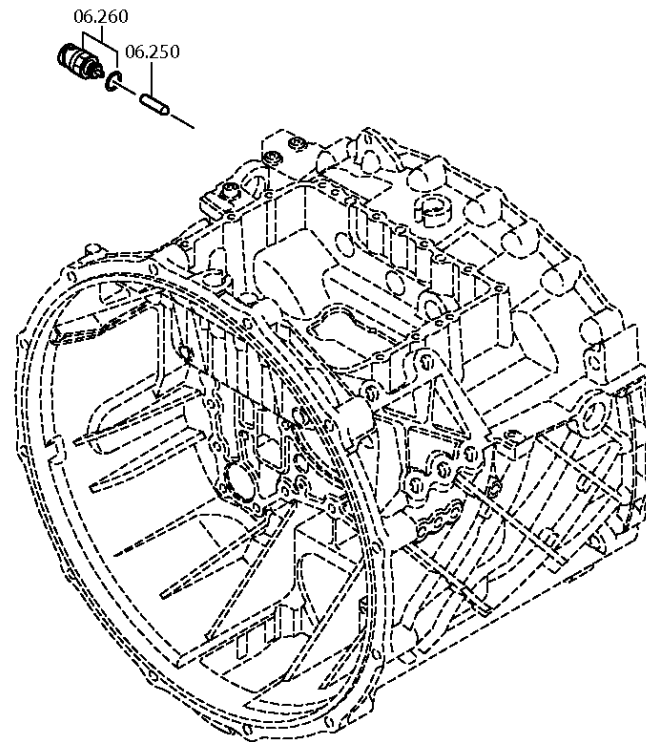
Plant

Page 1 from 3

Material number: 1327.004.012
Plate: 105.06.08-1
SHIFT SYSTEM

12 AS 2331 TD /
SHIFT SYSTEM



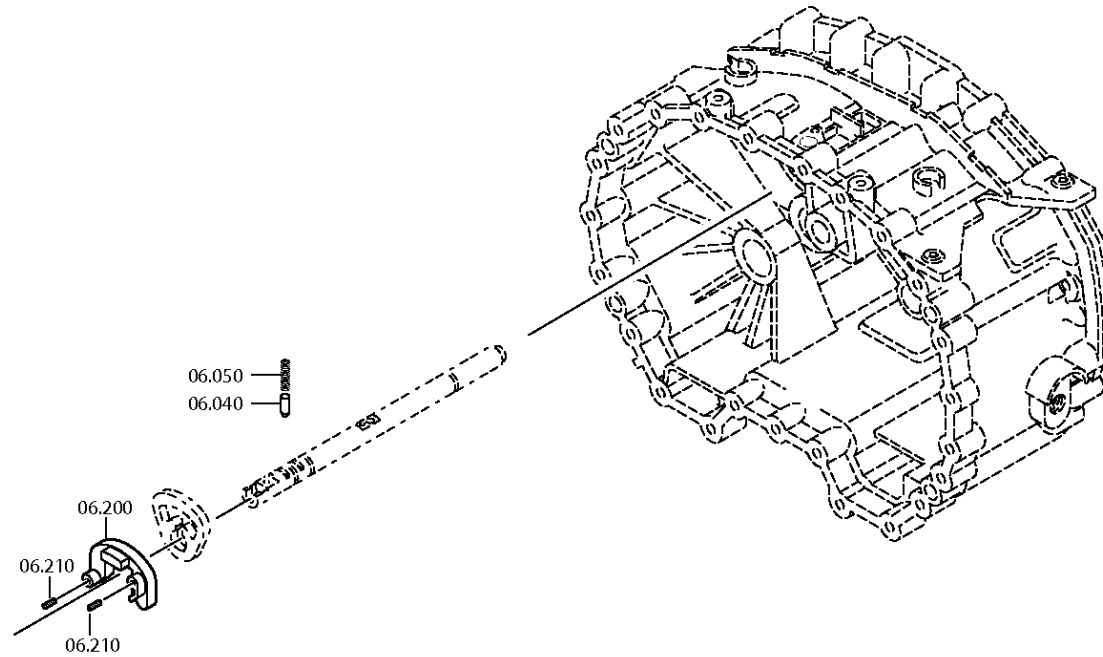


Plant

Page 3 from 3

Material number: 1327.004.012
Plate: 105.06.80-1
SHIFT SYSTEM

12 AS 2331 TD /
SHIFT SYSTEM



Parts list

Page 1 from 1

Material number: 1327.004.012

12 AS 2331 TD /

Plate: 105.06.08-1

Material-assembly-group-no: 1327.106.004



Pos.	Material number	Customer material	Name	Quantity	ME	Amend. no.	Techn. Info.	Weight	Rep kit	Alternative material
10	1327.206.004		GEARSHIFT SHAFT	1		C01006730E10	KPL.	0,000		
/10	1327.306.009		GEARSHIFT SHAFT	1		C01006730E10		0,000		
/20	1328.306.027		GEARSHIFT FINGER	1		C01006730E10		0,000		
40	0731.208.242		DETENT PIN	1				0,000		
50	0732.042.766		COMPRESSION SPRING	1			ASTRONIC 2 HG/GV/GP	0,000		
80	---		BALL PIN	1				0,000		
---	1314.306.064		BALL PIN	1				0,000		
120	1327.306.007		GEAR SHIFT FORK	1			1./RG	0,000		
140	1328.306.034		INTERLOCKING	1				0,000		
160	1328.306.026		GEAR SHIFT FORK	1			1-4G	0,000		
200	1328.306.021		SPACER	1				0,000		
210	0631.329.120	6005004537	SLOTTED PIN	2			6X18	0,010		
250	1328.306.024		PIN	1			ENTHALT.IN 1328 306 023(2)	0,000		
260	---		SWITCH	1			OEFF*45N.M*DICHTRING* BAJONETT*SCHUTZKAPPE	0,000		
---	0501.219.856	1946804	SWITCH	1			OEFFNER DIN BAJONETT	0,000		
---	0634.801.062		SEALING RING	1			18X24	0,001		

Plant

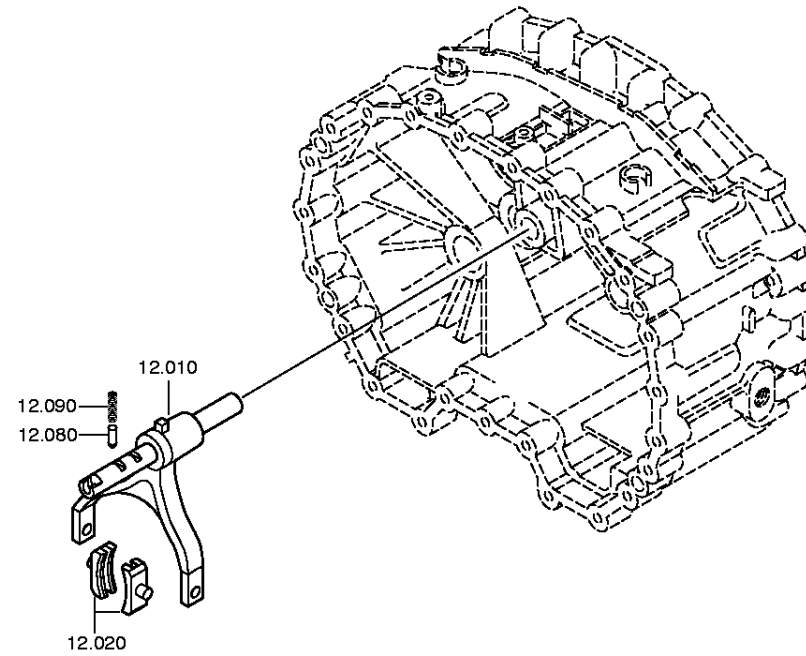
Page 1 from 1

Material number: 1327.004.012

Plate: 105.40.05-1

Material-assembly-group-no: 1328.112.004

12 AS 2331 TD /
GV-SHIFT SYSTEM



Parts list

Page 1 from 1

Material number: 1327.004.012

12 AS 2331 TD /

Plate: 105.40.05-1

Material-assembly-group-no: 1328.112.004



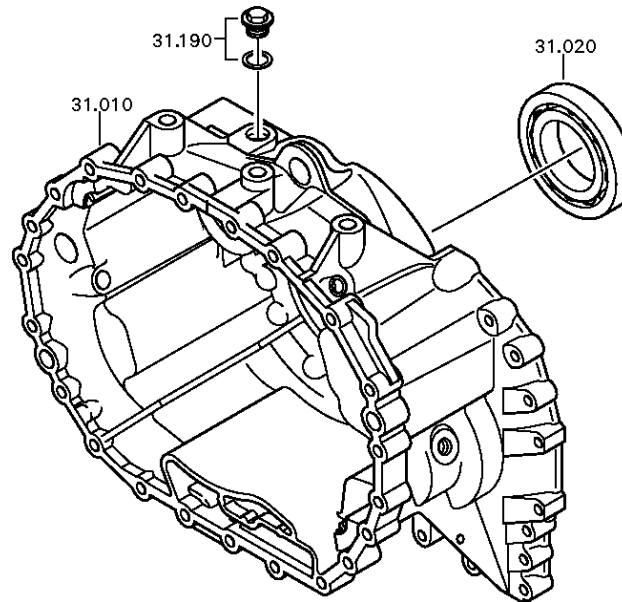
Pos.	Material number	Customer material	Name	Quantity	ME	Amend. no.	Techn. Info.	Weight	Rep kit	Alternative material
10	1328.212.002		GEAR SHIFT FORK	1			KPL.	0,000		
20	1328.312.005		SLIDING PAD	2		C01002455B10		0,000		
80	0731.208.242		DETENT PIN	1				0,000		
90	0732.042.766		COMPRESSION SPRING	1			ASTRONIC 2 HG/GV/GP	0,000		

Plant

Page 1 from 4

Material number: 1327.004.012
Plate: 069.43.04-1
RC HOUSING

12 AS 2331 TD /
RC HOUSING

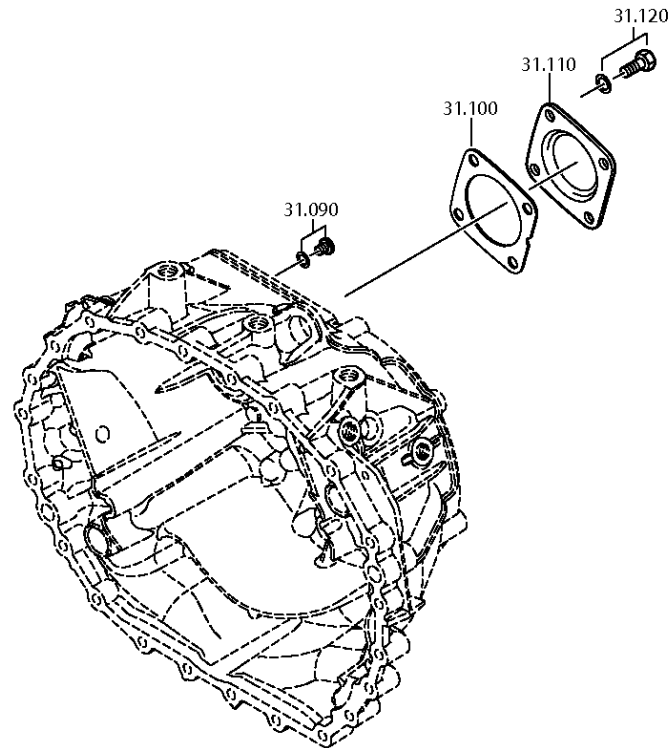


Plant

Page 2 from 4

Material number: 1327.004.012
Plate: 105.43.41-1
RC HOUSING

12 AS 2331 TD /
RC HOUSING

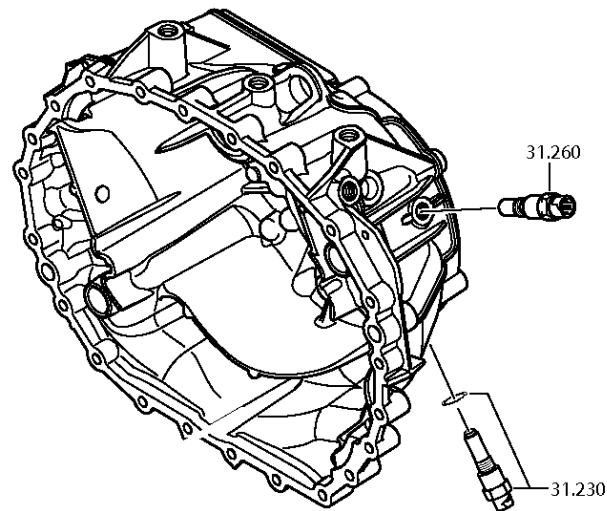


Plant

Page 3 from 4

Material number: 1327.004.012
Plate: 105.43.42-1
RC HOUSING

12 AS 2331 TD /
RC HOUSING

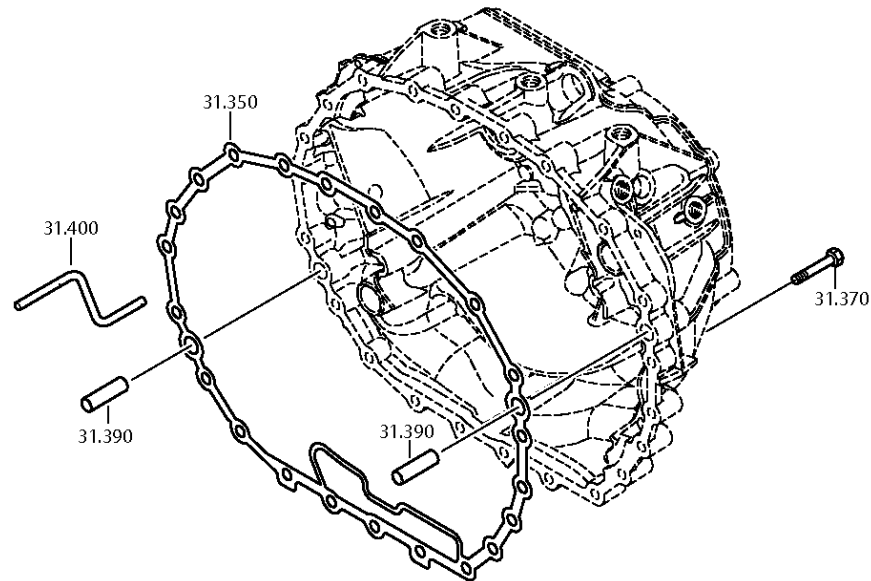


Plant

Page 4 from 4

Material number: 1327.004.012
Plate: 105.43.80-1
RC HOUSING

12 AS 2331 TD /
RC HOUSING



Parts list

Page 1 from 1

Material number: 1327.004.012

12 AS 2331 TD /

Plate: 069.43.04-1

Material-assembly-group-no: 1314.131.023



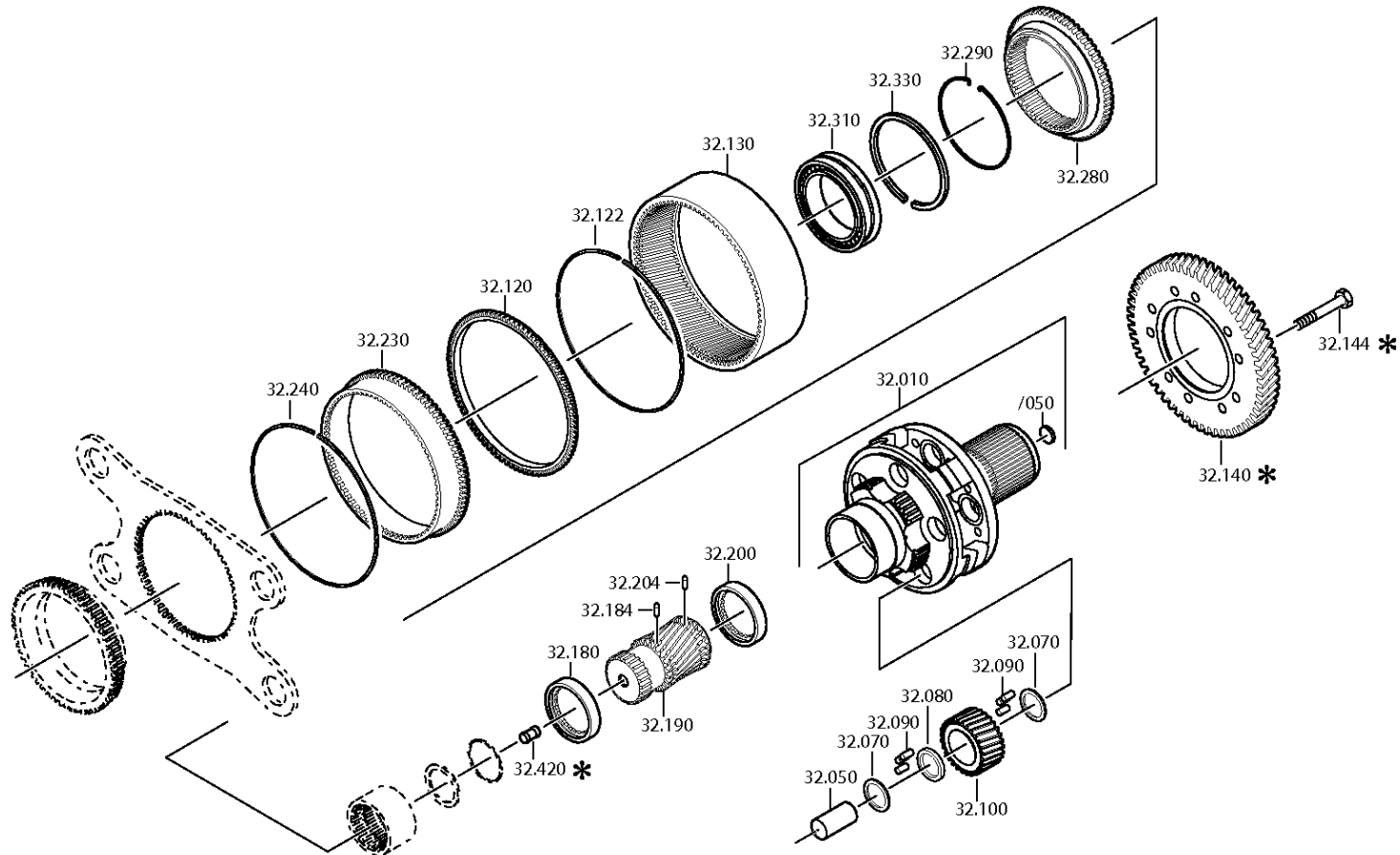
Pos.	Material number	Customer material	Name	Quantity	ME	Amend. no.	Techn. Info.	Weight	Rep kit	Alternative material
10	6085.201.088		HOUSING	1		C01004675E10	KPL.	0,000		
20	0750.116.394	5 8092 0	BALL BEARING	1		C01003016D10	90,0X160,0X30,0	0,000		
90	---		SCREW PLUG	1		Z00012211213	15N.M*DICHTRING M10X1	0,000		
---	0636.100.793		SCREW PLUG	1		Z00010111613	M10X1	0,000		
---	0730.008.055		SEALING RING	1			10X14	0,000		
100	1238.308.201	5006880	GASKET	1		Z00012211213	ENTHALT.IN 1238 308 202(2)	0,000		
110	1328.301.170	1878388	COVER	1		Z00008068010		0,000		
120	---		HEXAGON SCREW	4		Z00007061014	M12X25	0,000		
---	0636.016.406		HEXAGON SCREW	4		Z00007061018	M12X25	0,000		
---	0630.100.284		WASHER	4		Z00007158217		0,000		
190	---		SCREW PLUG	1		Z00010112111	60N.M*DICHTRING M24X1,5	0,000		
---	0636.304.088		SCREW PLUG	1		Z00010112110	M24X1,5	0,000		
---	0730.008.637		SEALING RING	1		Z00010112110	24X29	0,000		
230	---		PULSE SENSOR	1		Z00007337615	L=19,8* 35N.M.* BAJONETT*KITAS2 MIT FLAECHENDICHTUNG	0,000		
---	0501.220.119		PULSE SENSOR	1		Z00016413610		0,105		
260	---		PULSE SENSOR	1		Z00007337617	L=19,8* 35N.M. *BAJONETT MIT FLAECHENDICHTUNG	0,000		
---	0501.210.855		PULSE SENSOR	1		Z00007337611		0,090		
350	0501.324.368	47268112	FLAT GASKET	1		C01004201F10		0,000		
370	0636.016.405		HEXAGON SCREW	22		Z00007060110	M10X60	0,000		
390	0731.201.563		CYLINDRICAL PIN	2				0,000		
400	1328.331.001		SPRAY TUBE	1			GP	0,000		

Plant

Page 1 from 2

Material number: 1327.004.012
Plate: 105.44.01-1
PLANETARY DRIVE

12 AS 2331 TD /
PLANETARY DRIVE

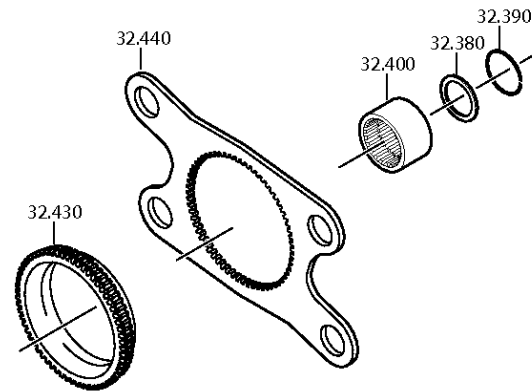


Plant

Page 2 from 2

Material number: 1327.004.012
Plate: 105.44.80-1
PLANETARY DRIVE

12 AS 2331 TD /
PLANETARY DRIVE



Parts list

Page 1 from 3

Material number: 1327.004.012

12 AS 2331 TD /

Plate: 105.44.01-1

Material-assembly-group-no: 1328.132.008



Pos.	Material number	Customer material	Name	Quantity	ME	Amend. no.	Techn. Info.	Weight	Rep kit	Alternative material
10	1328.232.016		PLANET CARRIER	1		C01007481C10	KPL. IN 1328 232 012(0)	0,000		
/50	---		SEALING CAP	1			20	0,000		
---	0630.361.033	8900125380	SEALING CAP	1				3,900		
50	1358.332.229		PLANET SHAFT	5		Z00022264310		0,000		
70	0730.109.323	H0223698	INTERMEDIATE WASHER	10			A=2,30 IN 0730 105 951(2)	0,013		
80	0730.109.640		INTERMEDIATE WASHER	5			A=9,00 IN 0730 105 951(2)	0,053		
90	0750.119.116	42140312	ROLLER	140			10,0X16,8	0,010		
100	1358.232.010		PLANET GEAR SET	1		Z00022234310	OPT.FUSSRUNDUNG PROFIL	0,000		
120	1328.332.046		THRUST RING	1				0,454		
122	0730.513.682		LOCKING WIRE	1		C01009812D10	ENTHALT.IN 0730 513 681(2)	0,053		
130	1328.332.045		RING GEAR	1		C01009812D10		0,000		
140	6085.301.217		HELICAL GEAR	1			ZYLINDERKOPF- SCHRAUBEN IT 2	0,000		
144	0636.101.761		CAP SCREW	10			M12X25	0,000		
180	1328.332.023	98341902	PRESSURE DISK	1				0,000		
190	1328.332.030		SUN GEAR	1				0,000		
200	1328.332.023	98341902	PRESSURE DISK	1				0,000		
230	1358.332.221		RING GEAR CARRIER	1		Z00022257310		0,000		
240	0730.513.682		LOCKING WIRE	1			ENTHALT.IN 0730 513 681(2)	0,053		
280	1328.333.009		CLUTCH BODY	1		C01002703D10		0,000		
290	0730.513.745		RETAINING RING	1			A=2,50	0,000		
310	0750.118.284		NEEDLE BEARING	1		C01002963B10	100,0X130,0X30,0	0,000		
330	0630.513.139	129684A1	SNAP RING	1				25		
380	---		SHIM	1			H= 1,00- 3,30(ABSTUFUNG:0,10MM)	0,000		
---	0730.004.643	571797808	SHIM	1			A=3,30 IN 0730 003 883(2)	0,000		
---	0730.004.641		SHIM	1			A=3,20 IN 0730 003 883(2)	0,000		

Parts list

Page 2 from 3

Material number: 1327.004.012

12 AS 2331 TD /

Plate: 105.44.01-1

Material-assembly-group-no: 1328.132.008



Pos.	Material number	Customer material	Name	Quantity	ME	Amend. no.	Techn. Info.	Weight	Rep kit	Alternative material
---	0730.004.639		SHIM	1			A=3,10 IN 0730 003 883(2)	0,000		
---	0730.004.637		SHIM	1			A=3,00 IN 0730 003 883(2)	0,000		
---	0730.004.635		SHIM	1			A=2,90 IN 0730 003 883(2)	0,000		
---	0730.004.633		SHIM	1			A=2,80 IN 0730 003 883(2)	0,000		
---	0730.004.631		SHIM	1			A=2,70 IN 0730 003 883(2)	0,000		
---	0730.004.629		SHIM	1			A=2,60 IN 0730 003 883(2)	0,000		
---	0730.003.914	1864421	SHIM	1			A=2,50 IN 0730 003 883(2)	0,000		
---	0730.003.912		SHIM	1			A=2,40 IN 0730 003 883(2)	0,000		
---	0730.003.910		SHIM	1			A=2,30 IN 0730 003 883(2)	0,000		
---	0730.003.908		SHIM	1			A=2,20 IN 0730 003 883(2)	0,000		
---	0730.003.906		SHIM	1			A=2,10 IN 0730 003 883(2)	0,000		
---	0730.003.904		SHIM	1			A=2,00 IN 0730 003 883(2)	0,000		
---	0730.003.902		SHIM	1			A=1,90 IN 0730 003 883(2)	0,000		
---	0730.003.900		SHIM	1			A=1,80 IN 0730 003 883(2)	0,000		
---	0730.003.898		SHIM	1			A=1,70 IN 0730 003 883(2)	0,000		
---	0730.003.896		SHIM	1			A=1,60 IN 0730 003 883(2)	0,000		
---	0730.003.894		SHIM	1			A=1,50 IN 0730 003 883(2)	0,000		

Parts list

Page 3 from 3

Material number: 1327.004.012

12 AS 2331 TD /

Plate: 105.44.01-1

Material-assembly-group-no: 1328.132.008



Pos.	Material number	Customer material	Name	Quantity	ME	Amend. no.	Techn. Info.	Weight	Rep kit	Alternative material
---	0730.003.892		SHIM	1			A=1,40 IN 0730 003 883(2)	0,000		
---	0730.003.890		SHIM	1			A=1,30 IN 0730 003 883(2)	0,000		
---	0730.003.888		SHIM	1			A=1,20 IN 0730 003 883(2)	0,000		
---	0730.003.886		SHIM	1			A=1,10 IN 0730 003 883(2)	0,000		
---	0730.003.884		SHIM	1			A=1,00 IN 0730 003 883(2)	0,000		
390	0630.502.218		RETAINING RING	1			64X2	0,000		
400	1328.304.068		SLEEVE	1		Z00012298110		0,000		
430	1328.333.010		CLUTCH BODY	1		Z00016876310		0,000		
440	1328.333.006		PLATE	1			ENTHALT.IN 1314 333 044(0)	0,000		

Plant

Page 1 from 1

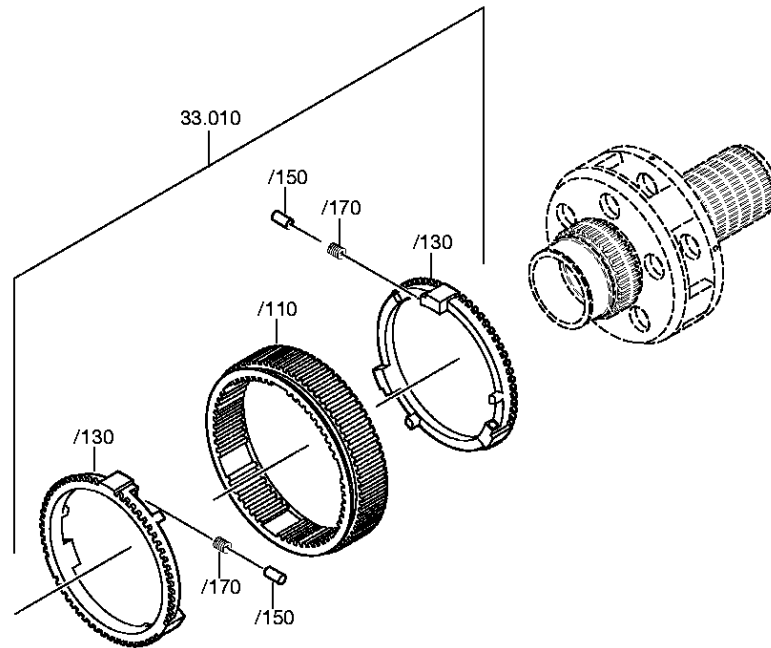
Material number: 1327.004.012

Plate: 105.45.01-1

Material-assembly-group-no: 1328.133.003

12 AS 2331 TD /

SYNCHRONIZER



Parts list

Page 1 from 1

Material number: 1327.004.012

12 AS 2331 TD /

Plate: 105.45.01-1

Material-assembly-group-no: 1328.133.003



Pos.	Material number	Customer material	Name	Quantity	ME	Amend. no.	Techn. Info.	Weight	Rep kit	Alternative material
10	1328.233.001		SYNCHRONIZER	1		C01002153C10	KPL.	0,000		
/110	1328.333.003		SLIDING SLEEVE	1			ZF-B165/74	0,000		
/130	1328.333.005		SYNCHRORING	2				0,000		
/150	0730.162.804		BUSH	6			A=17,00	0,000		
/170	0732.040.929	5 5229 0	COMPRESSION SPRING	6				0,000		

Plant

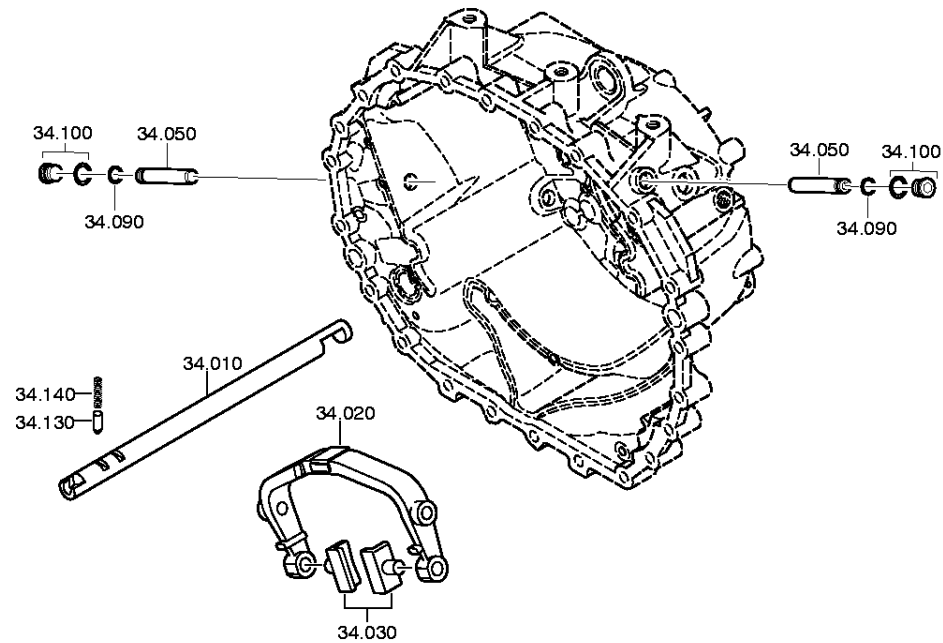
Page 1 from 1

Material number: 1327.004.012

Plate: 105.46.03-1

Material-assembly-group-no: 1327.134.007

12 AS 2331 TD /
GP SHIFT SYSTEM



Parts list

Page 1 from 1

Material number: 1327.004.012

12 AS 2331 TD /

Plate: 105.46.03-1

Material-assembly-group-no: 1327.134.007



Pos.	Material number	Customer material	Name	Quantity	ME	Amend. no.	Techn. Info.	Weight	Rep kit	Alternative material
10	1327.334.009		GEAR SHIFT RAIL	1				0,000		
20	1328.334.017		GEARSHIFT FORK	1				0,000		
30	1328.334.004		SLIDING PAD	2				0,000		
50	1328.334.020		JOINT PIN	2				0,000		
90	0630.505.525		SNAP RING	2				0,000		
100	---		SCREW PLUG	2		C01003260D10	40N.M*DICHTRING M20X1,5	0,000		
---	0636.302.608		SCREW PLUG	2		Z00010164512	M20X1,5	0,000		
---	0730.010.571		SEALING RING	2			A20X24	0,000		
130	0731.208.242		DETENT PIN	1				0,000		
140	0732.042.766		COMPRESSION SPRING	1			ASTRONIC 2 HG/GV/GP	0,000		

Plant

Page 1 from 1

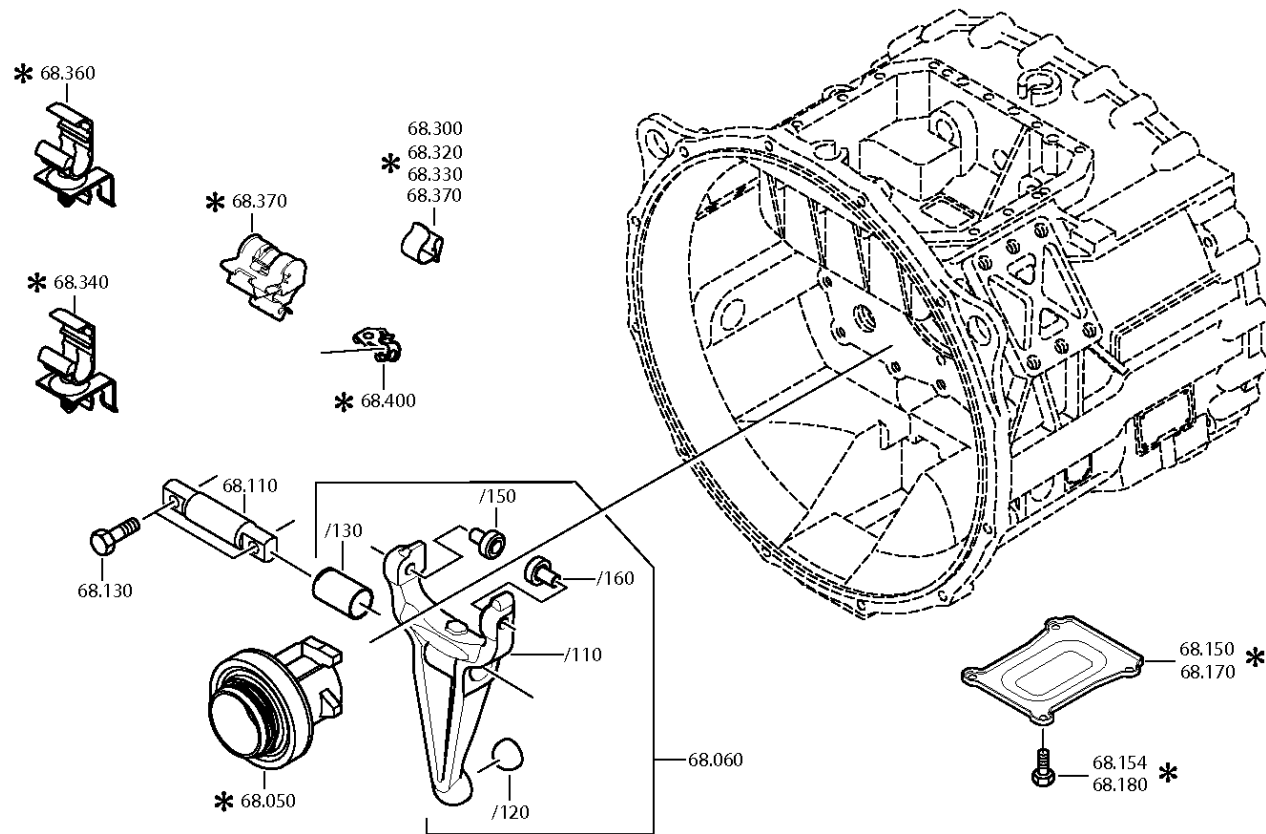
Material number: 1327.004.012

Plate: 105.93.06-1

Material-assembly-group-no: 1328.168.013

12 AS 2331 TD /

CLUTCH RELEASE DEVICE



Parts list

Page 1 from 1

Material number: 1327.004.012

12 AS 2331 TD /

Plate: 105.93.06-1

Material-assembly-group-no: 1328.168.013



Pos.	Material number	Customer material	Name	Quantity	ME	Amend. no.	Techn. Info.	Weight	Rep kit	Alternative material
60	1328.268.013	1956924	RELEASE FORK	1		Z00018899111	KPL*GABELWEITE 116,0*KUGEL D=22*I=2, 00*GLEITBUCHSE PA46TF	0,000		
/110	1328.368.047		RELEASE FORK	1		Z00018899110		0,000		
/120	0501.331.258		BALL CUP	1		Z00021393210		0,000		
/130	0501.330.420	1957044	SLIDING BUSH	1		Z00018899110		0,000		
/150	0501.214.560		CAM FOLLOWER	1		Z00018899110	KPL.	0,000		
/160	0501.214.560		CAM FOLLOWER	1		Z00018899110	KPL.	0,000		
110	1328.368.001	871180008	RELEASE SHAFT	1				0,000		
130	0636.016.416		HEXAGON SCREW	2		Z00015892310	M12X50	0,000		
170	1328.301.167		COVER	1		Z00011353410		0,000		
180	0636.016.401		HEXAGON SCREW	4			M8X25	0,000		
300	0659.050.393		CABLE TERMINAL	1				0,000		
320	0659.050.410		CABLE TERMINAL	1				0,000		
330	0659.050.410		CABLE TERMINAL	1				0,000		
360	0501.219.327		ANCHORAGE	1			201187001 PASSIVIERT	0,000		
370	6072.202.004		LINE FIXING	1			KPL.	0,000		

Plant

Page 1 from 1

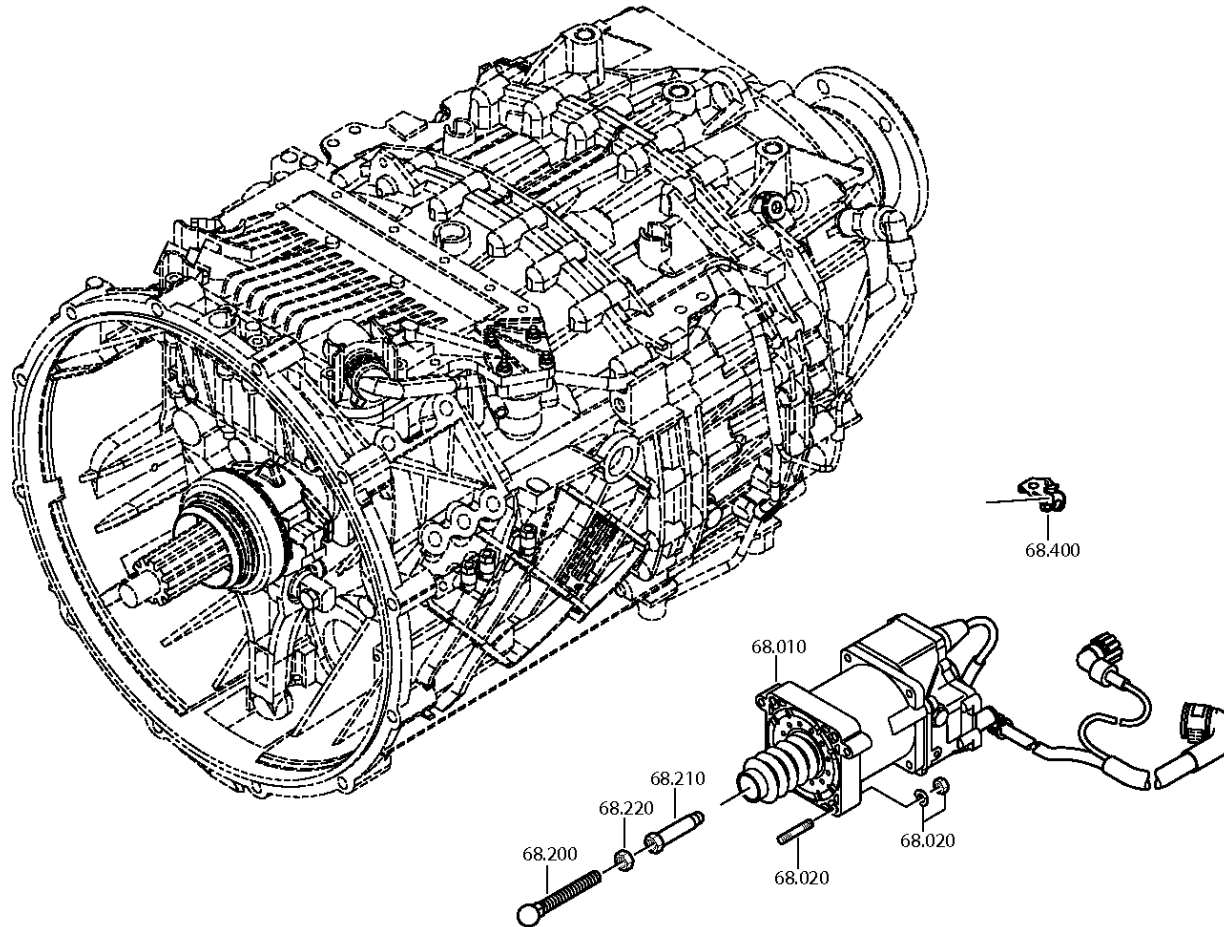
Material number: 1327.004.012

Plate: 105.93.88-1

Material-assembly-group-no: 1328.168.841

12 AS 2331 TD /

CLUTCH RELEASE DEVICE



Parts list

Page 1 from 1

Material number: 1327.004.012

12 AS 2331 TD /

Plate: 105.93.88-1

Material-assembly-group-no: 1328.168.841



Pos.	Material number	Customer material	Name	Quantity	ME	Amend. no.	Techn. Info.	Weight	Rep kit	Alternative material
10	0501.219.051		CLUTCH ACTUATOR	1		Z00012098310	20PIN	0,000		
20	---		BOLT+NUT	4		C01000595F10	M8X45	0,000		
---	0636.100.278		STUD	4		Z00007289112	M8X45	0,000		
---	0630.100.295		WASHER	4		Z00007158414		0,000		
---	0637.006.280		HEXAGON NUT	4		Z00007282712	M8	0,000		
200	1336.368.005		BALL PIN	1		Z00009887410		0,000		
210	1328.368.043	1854006	PUSH ROD	1				0,000		
220	0637.100.652		HEXAGON NUT	1		Z00013704310	M12X1,25	0,000		

Assembly group overview

Material number: 6009.097.012

12 AS 2331 TD /

Page 1 from 1



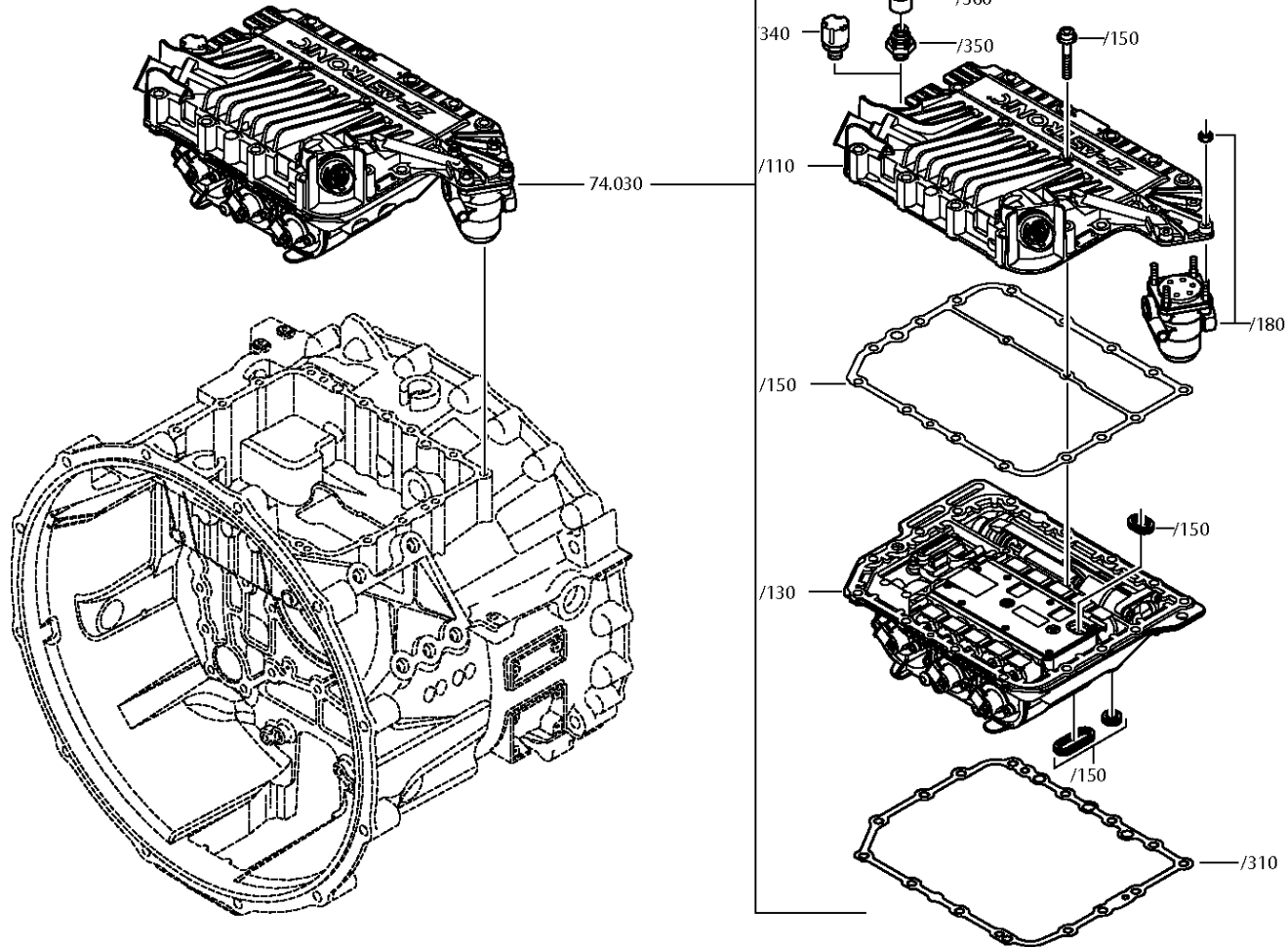
Graphics	Pos.	Material number	Name	Quantity	Amend. no.	Techn. Info.
106.36.09-1	110	6009.174.038	TRANSMISSION ACTUATOR	1		
106.36.83-1	150	6009.174.811	ACCESSORIES	1		

Plant

Page 1 from 6

Material number: 6009.097.012
Plate: 106.36.09-1
TRANSMISSION ACTUATOR

**12 AS 2331 TD /
TRANSMISSION ACTUATOR**

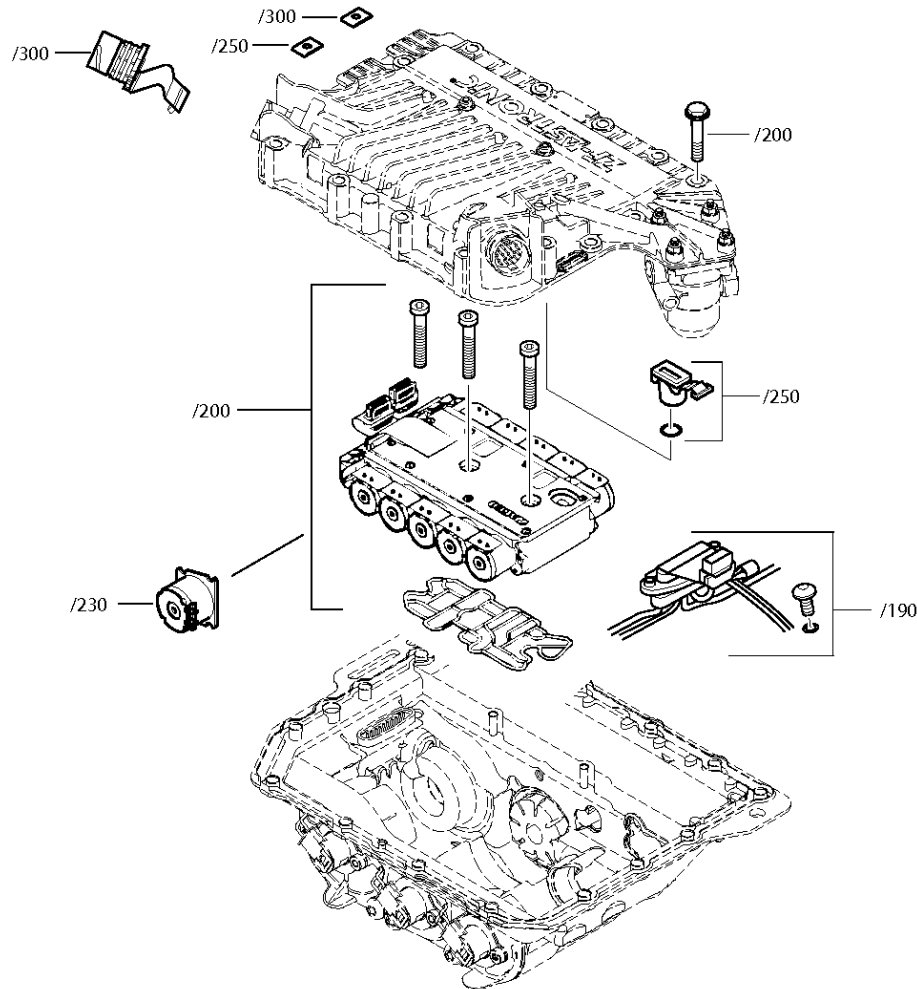


Plant

Page 2 from 6

Material number: 6009.097.012
Plate: 106.36.09-2
TRANSMISSION ACTUATOR

**12 AS 2331 TD /
TRANSMISSION ACTUATOR**

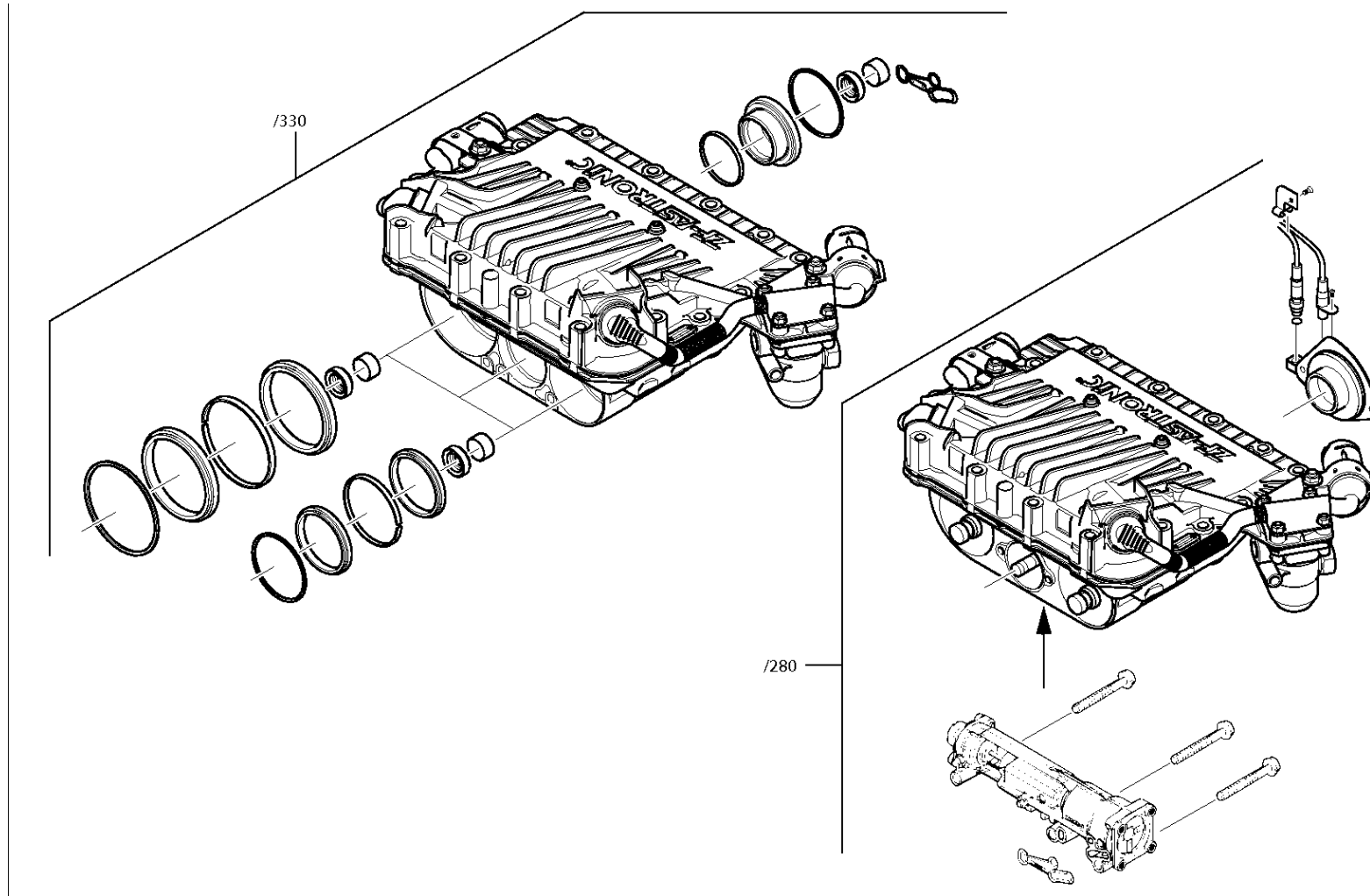


Plant

Page 3 from 6

Material number: 6009.097.012
Plate: 106.36.09-3
TRANSMISSION ACTUATOR

12 AS 2331 TD /
TRANSMISSION ACTUATOR

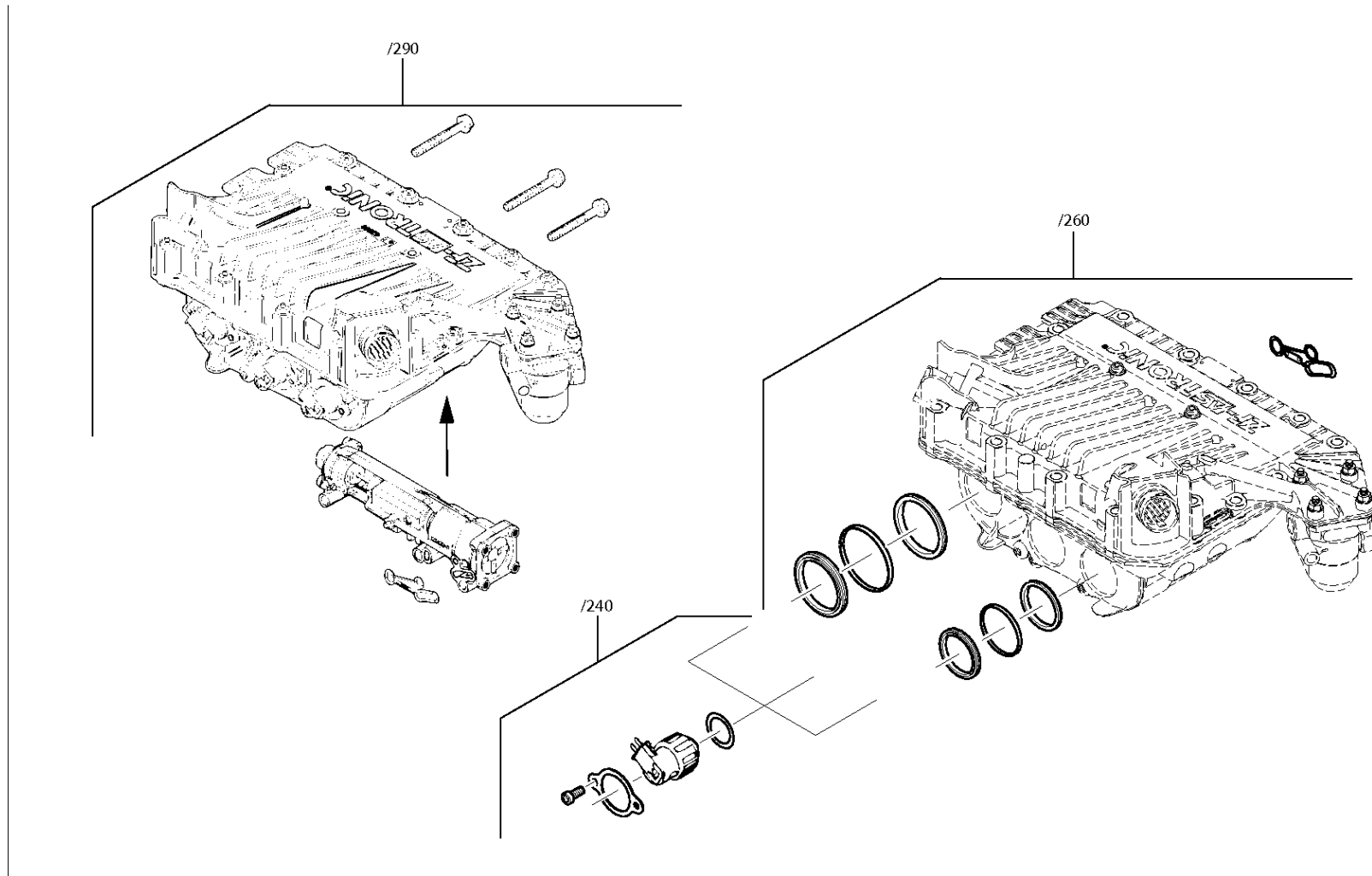


Plant

Page 4 from 6

Material number: 6009.097.012
Plate: 106.36.09-4
TRANSMISSION ACTUATOR

12 AS 2331 TD /
TRANSMISSION ACTUATOR

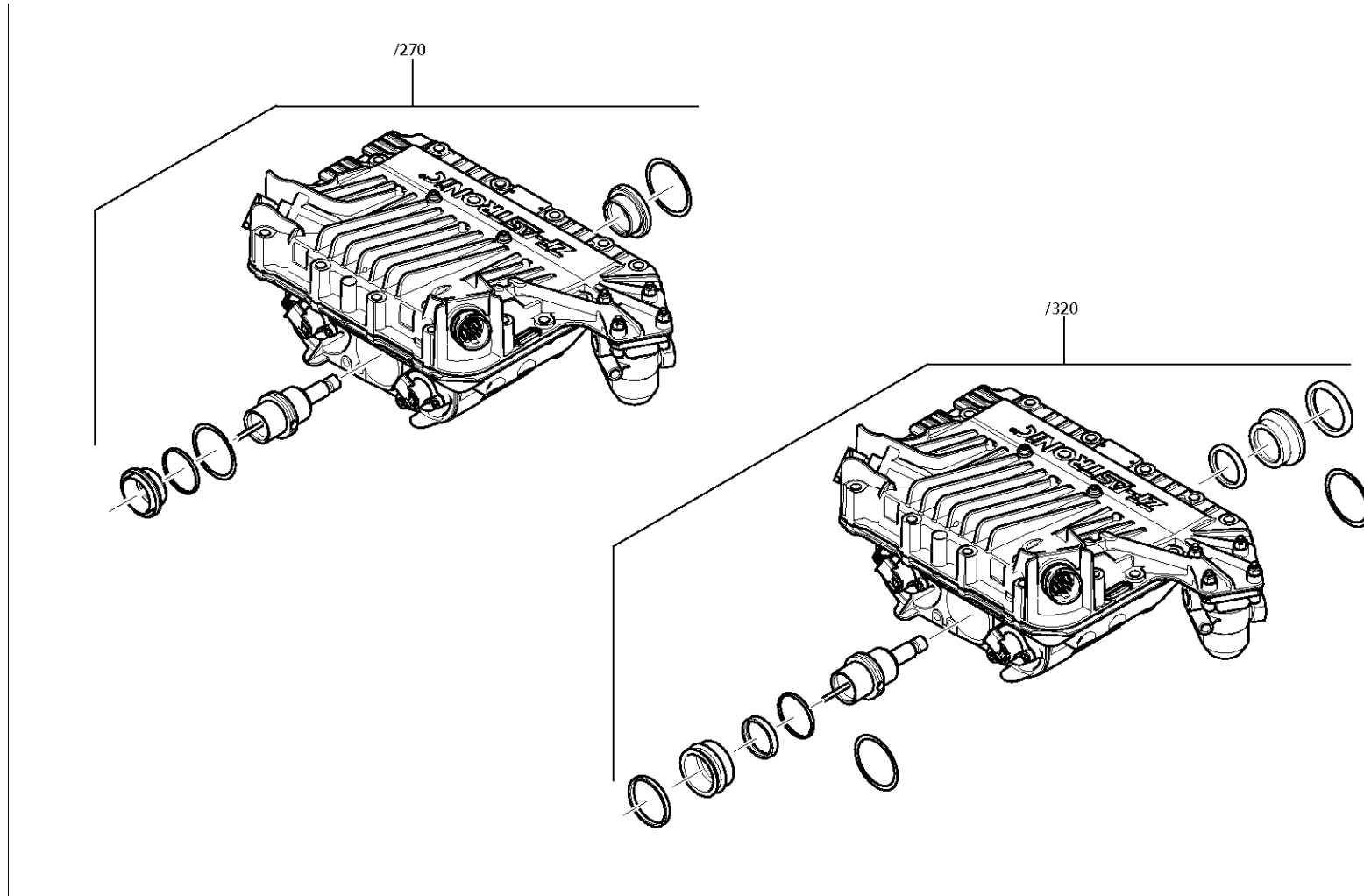


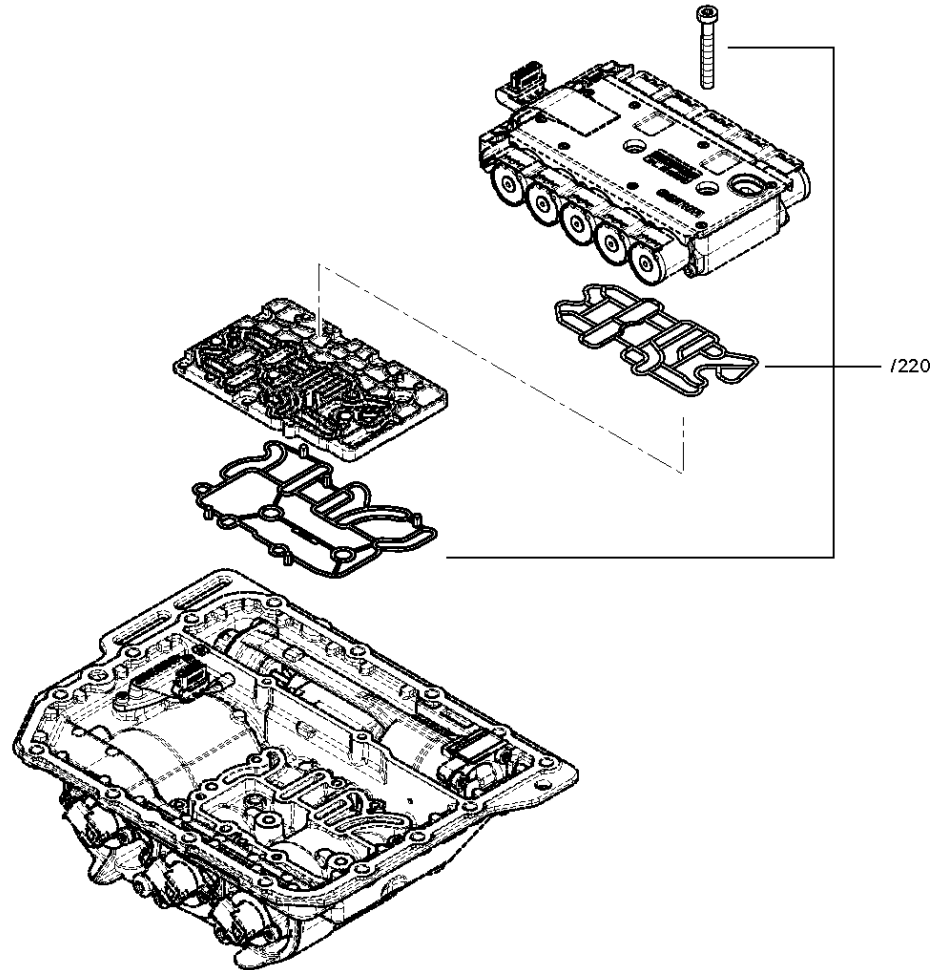
Plant

Page 5 from 6

Material number: 6009.097.012
Plate: 106.36.09-5
TRANSMISSION ACTUATOR

12 AS 2331 TD /
TRANSMISSION ACTUATOR





Parts list

Page 1 from 1

Material number: 6009.097.012

12 AS 2331 TD /

Plate: 106.36.09-1

Material-assembly-group-no: 6009.174.038



Pos.	Material number	Customer material	Name	Quantity	ME	Amend. no.	Techn. Info.	Weight	Rep kit	Alternative material
30	6009.297.007		TRANSMISSION ACTUATOR	1		C01001800E10	KPL. GS3.3 STANDARD	0,000		
/110	6009.098.003		GS 33 UPPER PART	1			GS3.3*OBERTEIL* STANDARD	4		
/130	6009.298.006		REPAIR KIT	1			KPL.GS3*UNTERTEIL	0,000		
/150	0501.323.922		SEAL KIT	1				0,000		
/180	0501.320.849		PRESSURE REDUCTION VALVE	1				0,000		
/190	0501.321.146		CONNECTION PART	1				0,000		
/200	0501.321.147		VALVE INSERT	1				0,000		
/220	0501.330.103		REPAIR KIT	1				0,000		
/230	0501.323.913		SOLENOID VALVE	1				0,000		
/240	0501.321.148		SENSOR	1				0,000		
/250	0501.323.627		PRESSURE SENSOR	1			GS3,REPARATURKIT DRUCKS.	0,000		
/260	0501.321.149		SEAL KIT	1				0,000		
/270	0501.324.254		PISTON	1				0,000		
/280	0501.322.661		BRACKET	1				0,000		
/290	0501.321.182		SELECTOR CYLINDER	1			REPARATURSATZ GS3	0,000		
/300	0501.323.630	47459812	SOCKET	1			GS3,REPARATURKIT 20POL.	0,000		
/310	0501.316.322	571802208	GASKET	1			LOS 2	0,000		
/320	0501.322.388		PISTON	1				0,000		
/330	0501.324.253		SEAL KIT	1				0,000		
/340	---		BREATHER	1				0,000		
/350	---		CANNON SOCKET	1			M10X1	0,000		
/360	0501.315.796		ANGLE PIECE	1				0,000		