



Spare Parts Catalog

16 S 221

Material number: 1316.051.935

Current date: 15.10.2014

ZF Friedrichshafen AG
Hauptverwaltung
80038 Friedrichshafen
Deutschland

Telefon: +49 7541 77-0

Telefax: +49 7541 77-908000

www.zf.com

zuständiges Werk:
Friedrichshafen

Notes relating to the spare parts catalog

Setup of the spare parts catalog

- Cover sheet
- Technical Cover (only in SDM print)
- Overview of figures
- Figure
- Associated parts list
- Next figure
- Associated parts list
- ...

Figure and parts list



Overview of figures

Bildtafel Figure	Sachnummer Product number	Benennung (Description)	Technische Info Technical info	Description (Benennung)	Menge Quantity	Einheit Unit
068.08.17	1316.170.001	AUSLEGER	WL	SHIFT TURRET	1	Stk
068.08.06	1316.170.031	DECKEL	WL*H-H *VM	COVER	1	Stk
068.08.14	1316.170.808	DECKEL	WL*AUSL+GEH*H-H*HF160N	COVER	1	Stk
08	1316.170.441	ANSCHLUSSTEILE	WL*NG-VORB*RG-SCHL*168N *BAJONETT	CONNECTING PARTS	1	Stk

The "gap" indicates that there is no separate graphics panel (poster) for this assembly
The parts of this assembly are shown with the same mid-section number on the figure

1 Positions and subpositions

Pos.	Sachnummer Product number	Benennung (Description)	Technische Info Technical info	Description (Benennung)	Menge Quantity	Einheit Unit
0370	1315.201.054	RUECKLAUFBOLZEN	KPL.16S151*SG*L= 79	REV.IDLER SHAFT	1	Stk
/0120	0631.329.293	SPANNSTIFT		SLOT. PIN	1	Stk

Positions marked with "/" are the individual items of a completion
For example: Position 0370 contains a centering pin with the position /0120

2 Combinations with standardized parts

Pos.	Sachnummer Product number	Benennung (Description)	Technische Info Technical info	Description (Benennung)	Menge Quantity	Einheit Unit
0630		VERSCHL.SCHR.		SCREW PLUG	1	Stk
	0636.302.067	VERSCHL.SCHR.		SCREW PLUG	1	Stk
	0634.801.249	DICHTRING	A 26 X 31	SEALING RING	1	Stk

The parts list shows the components included in the combination of standardized parts

3 Depiction of position/item number on the figure and in the parts list

01.620 - on the figure 01 relates to the assembly in which the position is included. Due to program-related reasons, it is shown on the figure.

0620 - in the parts list

Pos.	Sachnummer Product number	Benennung (Description)	Technische Info Technical info	Description (Benennung)	Menge Quantity	Einheit Unit
0620	0732.040.736	DRUCKFEDER		COMPRESSION SPRING	1	Stk

4 *-Positions

Positions marked with an * are optional i.e. inclusion in the parts list is not mandatory.
The following note is shown on the figure

je nach Stücklistenausführung
depending on spec. number
*
suivant la nomenclature
secondo la distinta base

5 Parts, dotted display

Parts with dotted display on the figure are only used for orientation of other parts

Technical Cover

Page 1 from 7

Material number: 1316.051.935



16 S 221 /

Pos.	Information	Amendment number
001	Use case -----	
002	Customer OAO - MINSKER AUTOMOBILWERK - (MAZ)	
003	City Minsk	
004	DUNS 53-515-8505	
005	Vehicle / Apparatus -----	
006	Sales Name	
007	Manufacturer OAO - MINSKER AUTOMOBILWERK - (MAZ)	
008	Engineering Name	
009	Product Use TRUCK	
010	Vehicle/Hardware Type ROAD TRACTOR	
011	SOP	
012	Engine	
013	Sales Designation BF6M1015C	
014	Manufacturer Deutz AG	
015	Eng.Displ.	
016	Cylinder	
017	Nom. power 315 kW	
018	RPM at nom. power 2100 1/min	
019	Nom. torque 2050 Nm	
020	RPM at nom. torque 1200 1/min	
021	Classification use case -----	
022	DESIGNATION, CLUTCH MFZ430	
023	MANUFACTURER, CLUTCH ZF-SACHS	
024	TOTAL NUMBER OF WHEELS 6	
025	NUMBER OF DRIVING WHEELS 4	
026	DYNAMIC TYRE RADIUS 546 mm	
027	REAR AXLE RATIO 4.84	
031	PERMISS.GROSS VEHICLE WEIGHT 26 t	
032	PERMISS.GROSS COMBIN.WEIGHT 52 t	
033	APPLICATION OF THE PRODUCT OSTEUROPA	
035	Use case -----	
036	Customer OAO - MINSKER AUTOMOBILWERK - (MAZ)	
037	City Minsk	

Technical Cover

Page 2 from 7

Material number: 1316.051.935



16 S 221 /

Pos.	Information	Amendment number
038	DUNS 53-515-8505	
039	Vehicle / Apparatus -----	
040	Sales Name	
041	Manufacturer OAO - MINSKER AUTOMOBILWERK - (MAZ)	
042	Engineering Name	
043	Product Use TRUCK	
044	Vehicle/Hardware Type ROAD TRACTOR	
045	SOP	
046	Engine	
047	Sales Designation	
048	Manufacturer Daimler	
049	Eng.Displ.	
050	Cylinder	
051	Nom. power 315 kW	
052	RPM at nom. power 1800 1/min	
053	Nom. torque 2000 Nm	
054	RPM at nom. torque 1080 1/min	
055	Classification use case -----	
056	DESIGNATION, CLUTCH MFZ430	
057	MANUFACTURER, CLUTCH ZF-SACHS	
058	TOTAL NUMBER OF WHEELS 6	
059	NUMBER OF DRIVING WHEELS 4	
060	DYNAMIC TYRE RADIUS 546 mm	
061	REAR AXLE RATIO 4.84	
065	PERMISS.GROSS VEHICLE WEIGHT 26 t	
066	PERMISS.GROSS COMBIN.WEIGHT 52 t	
067	APPLICATION OF THE PRODUCT OSTEUROPA	
069	Product description -----	
070	INSTALLATION POS TRANSMISSION HORIZONTAL LEFT	
071	TRANSMISSION ATTACHMENT FLANGE-MOUNTED	
073	RATIO, BOTTOM GEAR 13.8	
074	RATIO, TOP GEAR .84	
075	RATIO, 1ST GEAR 13.8	



Pos.	Information	Amendment number
076	RATIO, 2ND GEAR 11.54	
077	RATIO, 3RD GEAR 9.49	
078	RATIO, 4TH GEAR 7.93	
079	RATIO, 5TH GEAR 6.53	
080	RATIO, 6TH GEAR 5.46	
081	RATIO, 7TH GEAR 4.57	
082	RATIO, 8TH GEAR 3.82	
083	RATIO, 9TH GEAR 3.02	
084	RATIO, 10TH GEAR 2.53	
085	RATIO, 11TH GEAR 2.08	
086	RATIO, 12TH GEAR 1.74	
087	RATIO, 13TH GEAR 1.43	
088	RATIO, 14TH GEAR 1.2	
089	RATIO, 15TH GEAR 1	
090	RATIO, 16TH GEAR .84	
091	RATIO, 1ST GEAR REVERSE 12.92	
092	RATIO, 2ND GEAR REVERSE 10.8	
093	SET OF RATIOS SG	
094	RATIO RANGE BASIC DG	
095	NUMBER OF PLANETARY GEARS 5	
096	RATIO PLANETARY GEAR SET 4.565	
097	VER. SPLINE PLANETARY GEAR SET OBLIQUE TOOTHING	
098	DESIGN, SHIFT SYSTEM TURNING SHAFT	
099	POSITION, GEAR SHIFT SYSTEM HORIZONTAL LEFT	
100	DESIGN, SHIFT PATTERN H-H	
101	VERSION SHIFT SUPPORT WITHOUT GROOVE	
102	VERSION ACTUATION SHIFT SYSTEM MECHANICAL	
105	VERSION TUBE R/C PLASTIC-FORM-PIPE	
107	VERSION TUBE SERVO WITHOUT PIPING	
109	DESIGN DOWNSHIFT GATE INTERLOCK WITHOUT GROOVE	
110	VERSION TUBE GATE INTERLOCK WITHOUT PIPING	
112	1ST CUSTOMER SPEC SHIFT SYSTEM WITHOUT GROOVE	
113	2ND CUSTOMER SPEC SHIFT SYSTEM WITHOUT GROOVE	



Pos.	Information	Amendment number
114	DIA THROTTLE MAIN CUTOFF VALVE 1.55 mm	
115	NO. TAPPETS MAIN CUTOFF VALVE 2	
116	POS. AIR CON MAIN CUTOFF VALVE F	
122	SELECTION PATTERN VARIANT GEAR SHIFT PATTERN 1	
126	DESIGN, SEPARATING CLUTCH FULL-SYNCHRONIZED	
127	VERSION OF SYNCHRONIZER 1 1.+2.GEAR DK-SYNCHRONIZATION	
128	VERSION OF SYNCHRONIZER 2 3.+4.GEAR BK-SYNCHRONIZATION	
129	REFERENCE LENGTH INPUT SHAFT 109 mm	
130	STANDARD TYPE INPUT SHAFT SAE	
132	NUMBER OF WEDGES INPUT SHAFT 10	
135	VERSION OF INPUT SHAFT FORM C	
136	NOMINAL DIAMETER INPUT SHAFT 2 in	
138	DIAMETER, JOURNAL, INPUT SHAFT 25 mm	
139	TYPE FIT SPIGOTS INPUT SHAFT F7	
140	VER. BEAR. SPIGOTS INPUT SHAFT TAPER ROLLER	
141	LENGTH, INPUT SHAFT 395.5 mm	
142	DIAMETER SHAFT OF INPUT SHAFT 50.3 mm	
143	LENGTH, PROFILE, INPUT SHAFT 120 mm	
144	BUSH VARIANT INPUT SHAFT WITHOUT GROOVE	
145	VERSION BEARING CONSTANT 1 GL	
146	DIAMETER BEARING INPUT SHAFT 99.916 mm	
147	TYPE FIT BEAR. INPUT SHAFT H5	
149	DESIGN,CONN., CLUTCH HOUSING SAE 1	
150	CENTR.DIA,HSG/ENGINE CONNECT. 511.175 mm	
151	NUMBER OF BORES,ENGINE CONN. 12	
152	BORE DIA, ENGINE CONNECTION 11 mm	
154	VERSION OF CLUTCH HOUSING INTEGRATED	
156	VERSION ENGINE CONNECTION NOT FORDABLE	
157	POSITION MOUNT. FACE HOUSING 2 WITHOUT GROOVE	
158	LENGTH CLAMP. FLAP RH ENG CONNECT. 292 mm	
164	TYPE OF RELEASE MECHANISM WITH	
165	REF.LENGTH,RELEASE BEAR.FLAN -7 mm	
166	DIAMETER, RELEASE FLANGE 60 mm	



Pos.	Information	Amendment number
167	TYPE FIT RELEASE BEARING FLA. F8	
168	DIAMETER BEARING BUSH RELEASE UNIT LH 35 mm	
170	VERSION OF CLUTCH CYLINDER WITH	
171	ASSEMBLY POS. CLUTCH CYLINDER 6	
172	OUTER DIA. OUTPUT FLANGE RA 180 mm	
173	NO.OF BORES OUTPUT FLANGE HA1 4	
175	BORE DIA. OUTPUT FLANGE RA 15 mm	
180	REF. LENGTH OUTPUT FLANGE RA 211.5 mm	
187	DIMENSION SHIFT TURRET DIST. 288 mm	
188	MEAS. LOC. SHIFT TURRET DIST. SHIFT LEVER-LOCATION	
195	RADIUS I SHIFT LEVER 75 mm	
197	SHIFT LEVER CONNECTION KNURLING	
198	DESIGN, OFFSET, SHIFT LEVER OUTSIDE	
199	LOCATION GEAR SHIFT LEVER TAPER OUTSIDE	
200	LEVER POSITION SHIFTING OUTPUT C	
204	G.SHIFT LEVER ANGL.EPSILON MIN 14.000 GRAD	
205	G.SHIFT LEVER ANGL.EPSILON MAX 20 GRAD	
211	SPRING ARRANGEMENT Q1	
212	SPRING FORCE DETENT PLUNGER RG 120 N	
215	HUMP SPRING FORCE, OUTSIDE 160 N	
219	SELECTOR SPRING FORCE, OUTSIDE 117 N	
221	SPRING FORCE,GEAR DETENT NG+GG 168 N	
222	SPRING FORCE OUTS. DETENT NEUT 200 N	
231	SWITCH, REVERSE GEAR y	
232	DESIGN, RG (REV.GEAR) SWITCH CLOSING	
233	DESIGN, CONNECTION, RG SWITCH DIN BAYONET	
234	CODE SWITCH RG A1	
235	PROT.CAP SWITCH, REVERSE GEAR y	
237	NOTE ON SWITCH, REVERSE GEAR G.SHIFT SHAFT	
238	SWITCH, NEUTRAL GEAR y	
239	DESIGN,NG(NEUTRAL GEAR)SWITCH OPENING SWITCH	
240	DESIGN, CONNECTION, NG SWITCH DIN BAYONET	
241	CODE SWITCH NG A1	



Pos.	Information	Amendment number
242	PROT.CAP SWITCH, NEUTRAL GEAR y	
264	FUNCTION OF R/C SWITCH GP	
265	DESIGN, GP SWITCH OPENING SWITCH	
266	DESIGN, CONNECTION, GP SWITCH DIN BAYONET	
268	PROTECTING CAP GP SWITCH y	
275	FUNCTION OF S/G SWITCH GV	
276	DESIGN, GV SWITCH CLOSING	
277	DESIGN, CONNECTION, GV SWITCH DIN BAYONET	
279	PROTECTING CAP GV SWITCH y	
354	ATTACHM.POS.HEAT EXCHANGER IN FRONT LEFT PREPARED	
356	VER. TRANSMISSION VENTILATION BREATHER	
379	VERSION PULSE SENSOR SFA H68 WITH	
380	DESIGN PULSE SENSOR H68 KITAS II	
381	DESIGN CONN.PULSE SENSOR SFA H68 DIN BAYONET	
382	NOTE PULSE SENSOR H68 ADR-EXPLOSION-PROOF	
383	PROT.CAP PULSE SENSOR SFA H68 y	
384	NO. PULSES PULSE SENSOR SFAH68 6 IMP/U	
389	VER. PULSE SENSOR TRANSM. H70 WITHOUT GROOVE	
393	PROT.CAP PULSE SENSOR TM H70 n	
394	NO PULSES PULSE SENSOR TM H70 6 IMP/U	
395	ASSEMBLY POS PULSE SENSOR H70 1	
396	NOTE ASS. POS PULSE SENSOR H70 INSTALLATION DRAWING	
411	POSITION, OIL FILLER HOUSING LEFT+RIGHT	
412	NOTE ON OIL FILL FILL IN OVERFLOW	
413	OIL CAPACITY, GEARBOX 13 dm3	
415	OIL GRADE PERMISSIBLE ACC. TO TE-ML02	
416	OIL CLASS FIRST FILLING H	
417	CODING OUTER CONSERVATION KA1	
418	SCOPE OUTER CONSERVATION T	
419	CODING INNER CONSERVATION KI1	
420	CONSERVATION SPECIFICATION ZFN 916	
422	COLOR JET BLACK	
423	COLOUR CLASSIFICATION ACC. TO RAL 9005	

Technical Cover

Page 7 from 7

Material number: 1316.051.935



16 S 221 /

Pos.	Information	Amendment number
424	PAINTING, ZF STANDARD 915 W	

Assembly group overview

Page 1 from 2

Material number: 1316.051.935



16 S 221 /

Graphics	Pos.	Material number	Name	Quantity	Amend. no.	Techn. Info.
068.01.05-1	110	1316.101.103	TRANSMISSION HOUSING	1		
068.01.51-1	120	1316.101.955	TRANSMISSION HOUSING	1		
068.02.55-1	140	1315.102.439	CONNECTION PLATE	1		
068.02.82-1	150	1315.102.811	INPUT SHAFT	1		
068.02.02-1	910	1316.102.033	INPUT SHAFT	1		
068.03.80-1	180	1316.103.803	COUNTERSHAFT	1		
068.03.01-1	920	1316.103.013	COUNTERSHAFT	1		
068.04.12-1	930	1316.104.040	MAIN SHAFT	1		
068.06.01-1	230	1316.106.008	SHIFT SYSTEM	1		
068.06.43-1	234	1315.106.422	CONNECTING PARTS	1		
068.06.80-1	238	1315.106.800	SHIFT SYSTEM	1		
068.07.71-1	282	1315.107.833	GEAR SHIFT HOUSING	1		
068.07.12-1	910	1316.107.035	GEAR SHIFT HOUSING	1		
068.07.16-1	914	1316.107.433	GEARSHIFT SHAFT	1		
068.07.09-1	920	1316.107.005	CONNECTING PARTS	1		
068.08.17-1	926	1316.170.001	SHIFT TURRET	1		
068.08.06-1	930	1316.170.031	COVER	1		
068.08.14-1	934	1316.170.808	COVER	1		
068.08.15-1	938	1316.170.442	CONNECTING PARTS	1		
068.12.01-1	922	1316.149.025	SET OF SPRINGS	1		
068.40.04-1	500	1316.112.014	GV-SHIFT SYSTEM	1		
068.40.41-1	502	1315.112.410	CONNECTING PARTS	1		
068.43.21-1	10	1315.131.047	COVER	1		
068.43.06-1	20	1315.131.050	RC HOUSING	1		
068.43.40-1	30	1315.131.400	CLOSING COMPONENTS	1		
068.43.80-1	512	1315.131.805	RC HOUSING	1		
068.43.43-1	516	1315.131.439	CONNECTING PARTS	1		
068.44.07-1	40	1316.132.015	PLANETARY DRIVE	1		
068.44.41-1	50	1316.132.400	PLANETARY DRIVE	1		
068.45.04-1	70	1316.133.008	SYNCHRONIZER	1		
068.45.40-1	80	1315.133.405	SYNCHRONIZER	1		
068.46.02-1	90	1316.134.021	GP SHIFT SYSTEM	1		

Assembly group overview

Page 2 from 2

Material number: 1316.051.935



16 S 221 /

Graphics	Pos.	Material number	Name	Quantity	Amend. no.	Techn. Info.
068.46.40-1	554	1315.134.412	CONNECTING PARTS	1		
068.57.04-1	390	1316.145.002	RANGE SELECTION	1		
068.93.13-1	130	1315.168.030	CLUTCH RELEASE DEVICE	1		
068.93.63-1	132	1315.168.412	CLUTCH RELEASE DEVICE	1		

Plant

Page 1 from 2

Material number: 1316.051.935

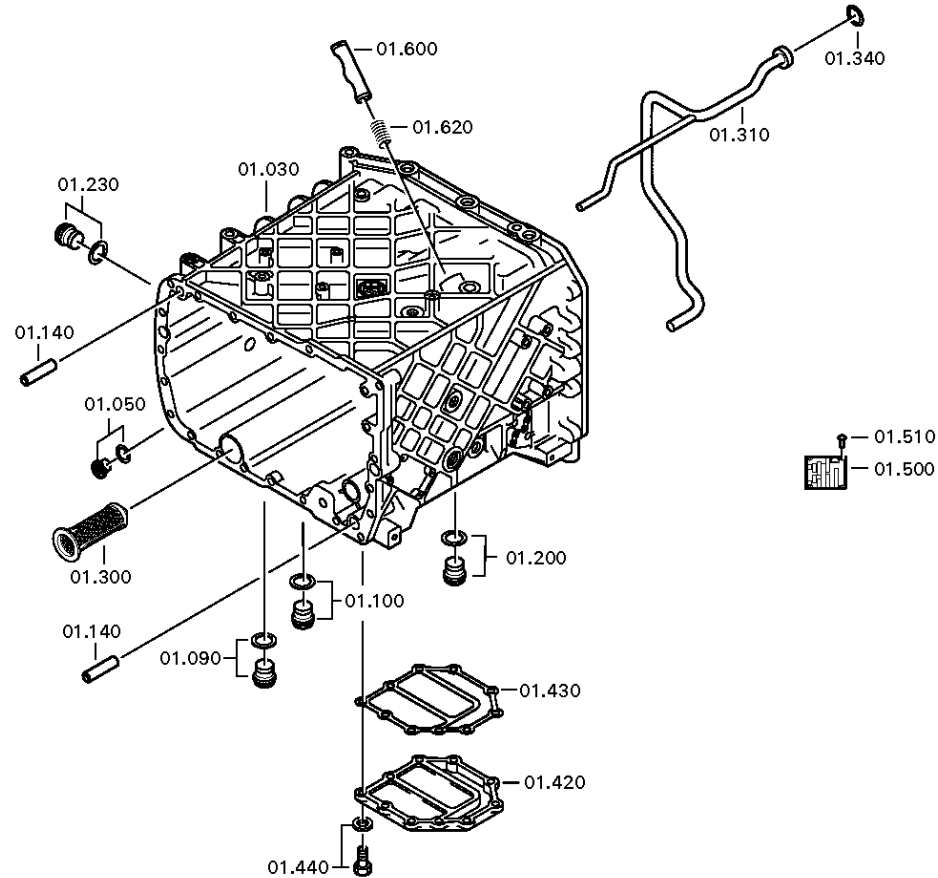
Plant: 068.01.05-1

TRANSMISSION HOUSING



16 S 221 /

TRANSMISSION HOUSING



Plant

Page 2 from 2

Material number: 1316.051.935

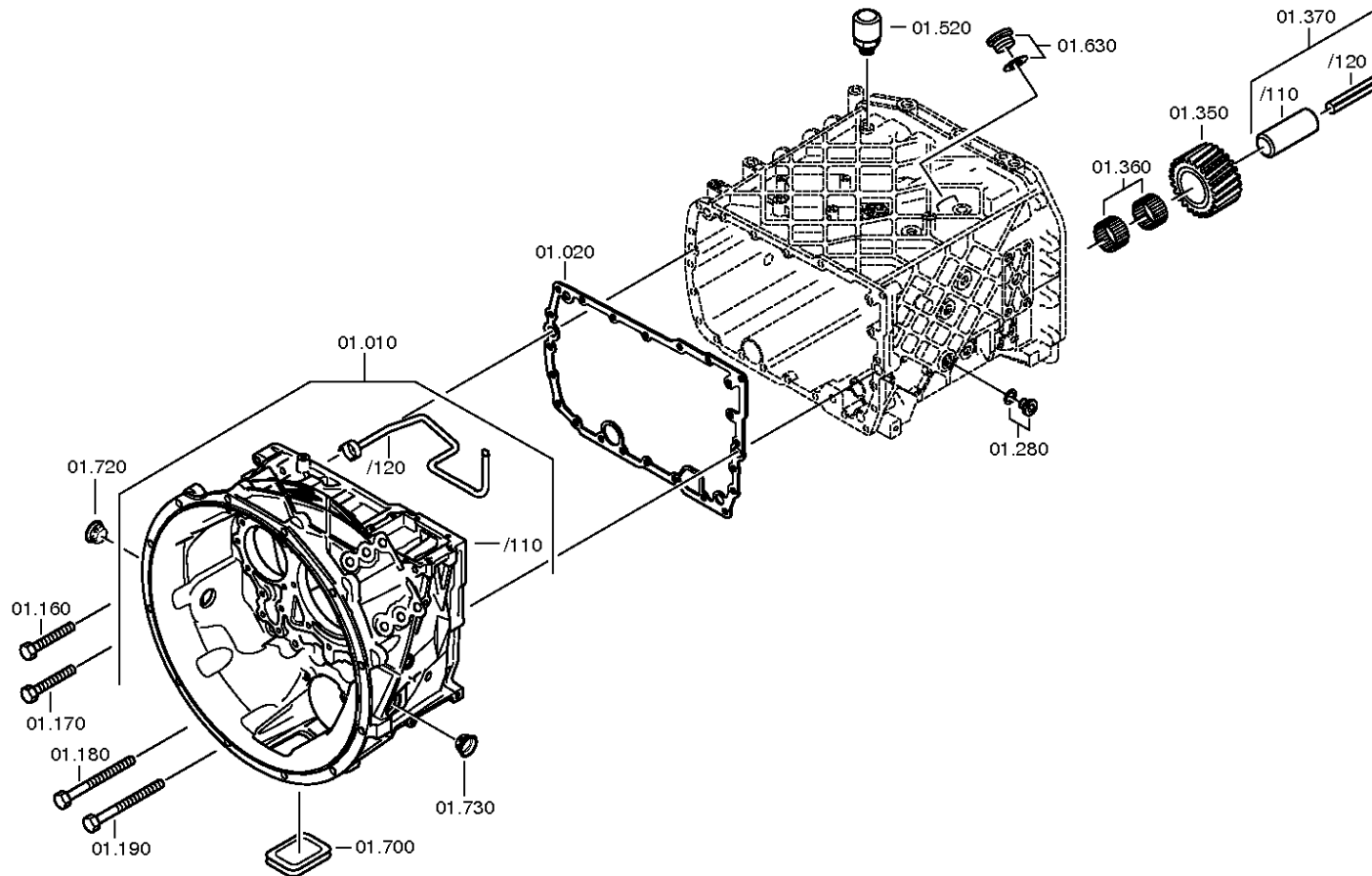
Plant: 068.01.51-1

TRANSMISSION HOUSING



16 S 221 /

TRANSMISSION HOUSING



Parts list

Page 1 from 2



16 S 221 /

Material number: 1316.051.935

Plant: 068.01.05-1

Material-assembly-group-no: 1316.101.103

Pos.	Material number	Customer material	Name	Quantity	ME	Amend. no.	Techn. Info.	Rep kit	Alternative material
10	1316.201.142	1427603	CLUTCH HOUSING	1			KPL.		
/110	1316.301.064		CLUTCH HOUSING	1			ENTHALT.IN 1316 301 060(0)		
/120	1315.201.097	ZF-1315 201 097	TUBE	1			KPL.		
20	1315.301.233	5 5367 0	GASKET	1		C01005348C10			
30	1316.201.110	1635031	HOUSING	1		C01002290A10	KPL.DG IN 1316 201 108(0)		
50	---		SCREW PLUG	1		Z00010176111	M24X1,5		
---	0736.300.160	4471982.1	SCREW PLUG	1		Z00010176110	M24X1,5 M24X1,5		
---	0730.008.637	1428103	SEALING RING	1		Z00010176110	24X29		
90	---		SCREW PLUG	1		Z00010164013	50N.M*DICHTRING M22X1,5		
---	0636.100.824		SCREW PLUG	1		Z00010164019	M22X1,5		
---	0730.009.515	0730009515	SEALING RING	1		Z00010164019	A22X27		
100	---		SCREW PLUG	1		Z00010164013	50N.M*DICHTRING M22X1,5		
---	0636.100.824		SCREW PLUG	1		Z00010164019	M22X1,5		
---	0730.009.515	0730009515	SEALING RING	1		Z00010164019	A22X27		
140	0731.201.563	1290941	CYLINDRICAL PIN	4					
160	0736.300.123	1880233	HEXAGON SCREW	14			M10X70 M10X70		
170	---		HEXAGON SCREW	1			M10X70		
---	0736.300.123	1880233	HEXAGON SCREW	1			M10X70 M10X70		
180	0736.300.119	1896749	HEXAGON SCREW	6		Z00009403410	M10X140 M10X140		
190	---		HEXAGON SCREW	1		Z00009403410	M10X140		
---	0736.300.119	1896749	HEXAGON SCREW	1		Z00009403412	M10X140 M10X140		
200	---		SCREW PLUG	1		Z00010112111	60N.M*DICHTRING M24X1,5		
---	0636.304.088	1882905	SCREW PLUG	1		Z00010112110	M24X1,5		
---	0730.008.637	1428103	SEALING RING	1		Z00010112110	24X29		
230	---		SCREW PLUG	1		Z00010112111	60N.M*DICHTRING M24X1,5		
---	0636.304.088	1882905	SCREW PLUG	1		Z00010112110	M24X1,5		
---	0730.008.637	1428103	SEALING RING	1		Z00010112110	24X29		
280	---		SCREW PLUG	1		Z00010112111	60N.M*DICHTRING M24X1,5		
---	0636.304.088	1882905	SCREW PLUG	1		Z00010112110	M24X1,5		
---	0730.008.637	1428103	SEALING RING	1		Z00010112110	24X29		
300	0501.318.802	5718 742 08	SCREEN INSERT	1		C01000947C10			
310	1316.201.056		SPRAY TUBE	1			KPL. IN 1315 201 112(0)		
340	0634.313.198	1000004936	O-RING	1			20X3		
350	---		REVERSE IDLER GEAR	1		C01006413F10			

Parts list

Page 2 from 2



16 S 221 /

Material number: 1316.051.935

Plant: 068.01.05-1

Material-assembly-group-no: 1316.101.103

Pos.	Material number	Customer material	Name	Quantity	ME	Amend. no.	Techn. Info.	Rep kit	Alternative material
---	1316.305.001		REVERSE IDLER GEAR	1			Z22 IN 1295 305 050(1)		
---	1316.305.008	1882761	REVERSE IDLER GEAR	1			Z22 IN 1295 305 050(1)		
360	0750.115.369	820-400-2290	NEEDLE CAGE	2			45,0X57,0X25,0		
370	1316.201.029		REVERSE IDLER SHAFT	1			KPL.16S221*DG*L=107		
/120	0631.329.296		SLOTTED PIN	1			10X123		
420	1315.301.151		COVER	1					
430	0501.316.146	133-198-1940	GASKET	1		C01002166A10			
440	0636.100.432		HEXAGON SCREW	10		Z00007349511	M10X28		
500	---		TYPE PLATE	1			KONZERN		
---	0730.365.241		TYPE PLATE	1			EINHEITSSCH. VERDREHSICHER		
---	0730.365.259		TYPE PLATE	1			EINHEITSSCH.VERDREHSICHER BRASILIE		
---	0730.365.267		TYPE PLATE	1			CHINA		
---	0730.300.258		TYPE PLATE	1			EINHEITSSCH.VERDREHSICHER		
---	0730.365.271		TYPE PLATE	1			RUSSLAND/ KYRILLISCH		
---	0730.365.257		TYPE PLATE	1			S.S.CH IRAN		
---	0730.365.800		TYPE PLATE	1		Z00015972510			
---	0730.302.754		TYPE PLATE	1			AUSFUEHRUNG UNIVERSAL		
510	0731.300.027		BLIND RIVET	4		Z00007904810			
520	0501.218.540	1896008	BREATHER	1					
600	1313.306.013		LOCKING PIN	1					
620	0732.040.736	2150041300	COMPRESSION SPRING	1					
630	---		SCREW PLUG	1		Z00010164412	70N.M*DICHTRING M26X1,5		
---	0636.100.811		SCREW PLUG	1		Z00010164420	M26X1,5		
---	0634.801.249		SEALING RING	1		Z00010164420	26X31		
700	1315.301.230	1454283	PROTECTION CAP	1					
720	0501.321.840	1803936	PLUG	1					
730	0501.321.840	1803936	PLUG	1					

Plant

Page 1 from 3

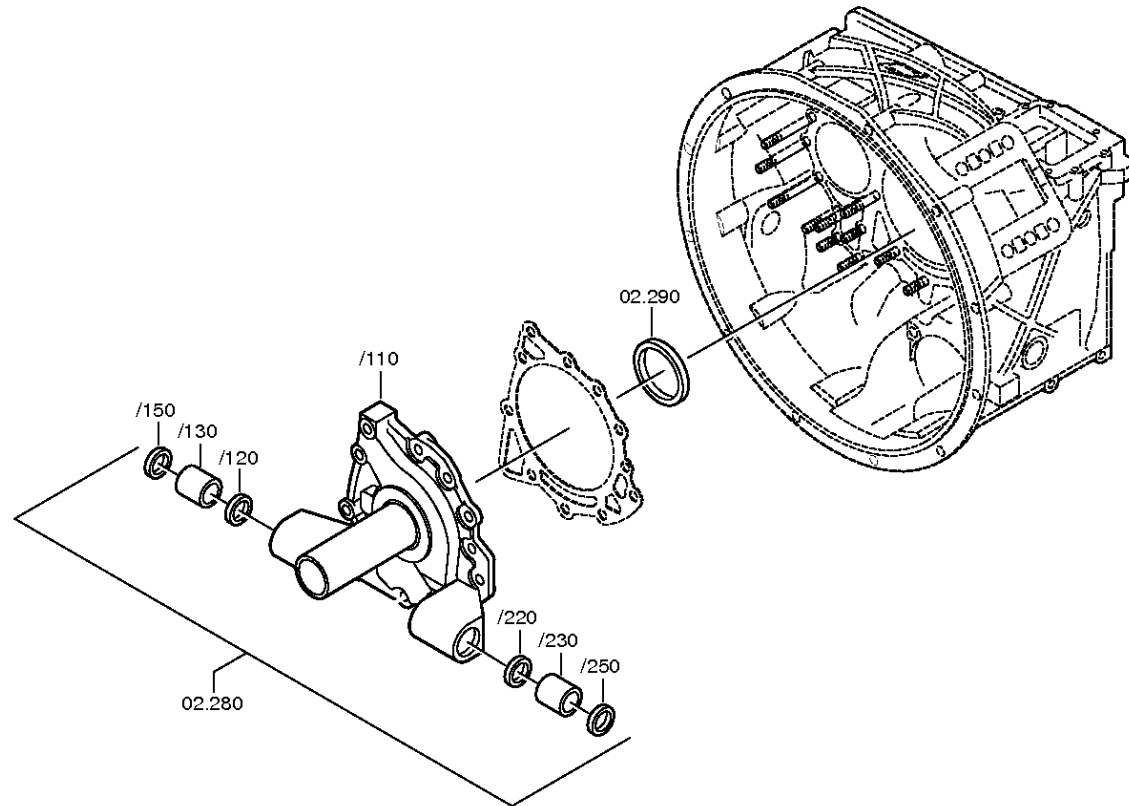
Material number: 1316.051.935

Plant: 068.02.55-1

CONNECTION PLATE



16 S 221 /
CONNECTION PLATE



Plant

Page 2 from 3

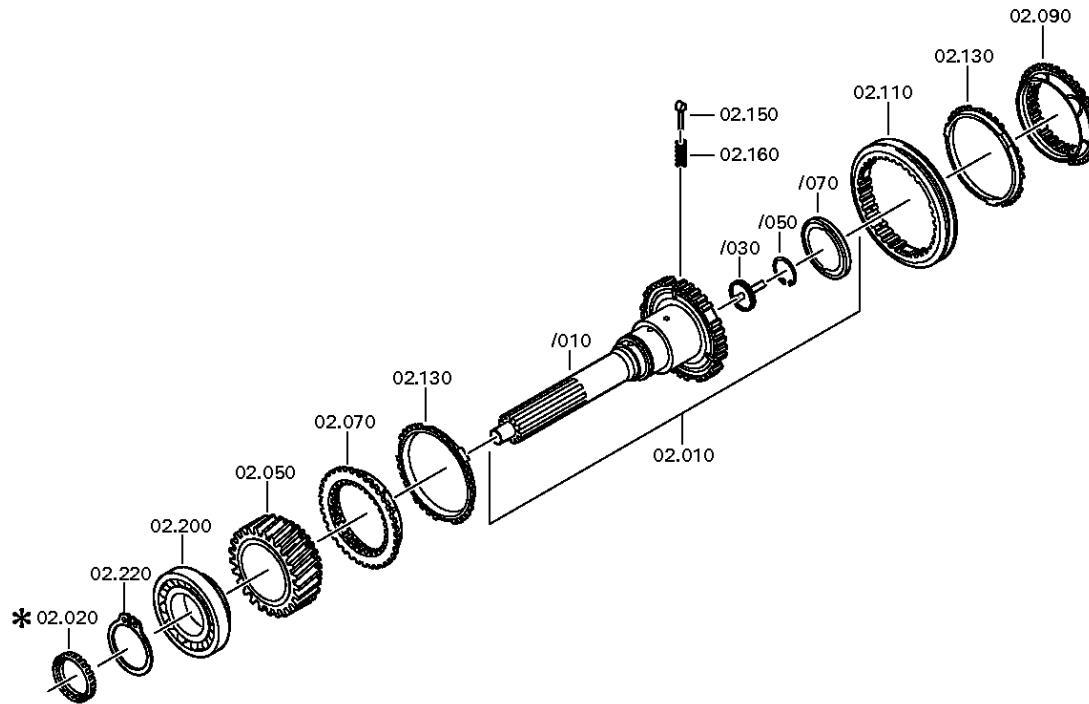
Material number: 1316.051.935

Plant: 068.02.02-1

CONNECTION PLATE



16 S 221 /
CONNECTION PLATE



Plant

Page 3 from 3

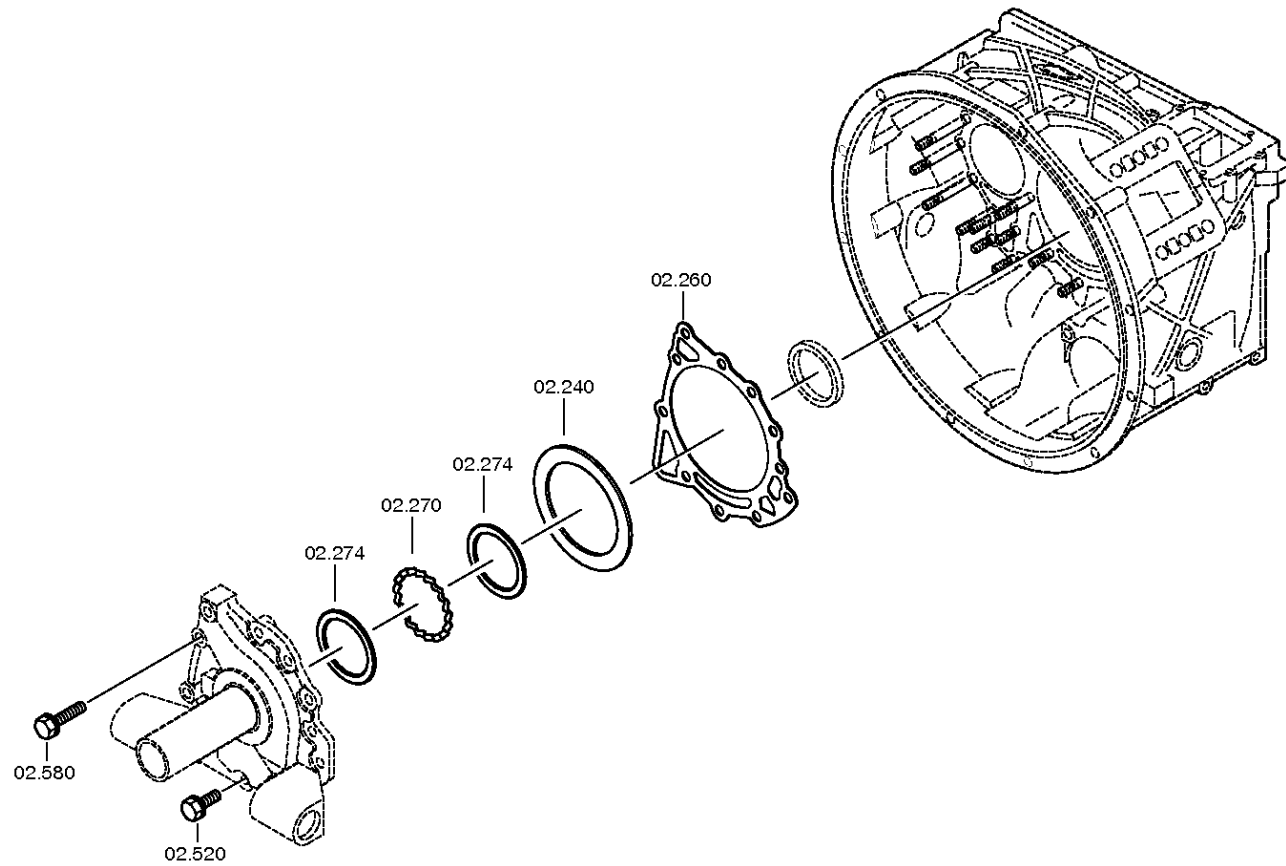
Material number: 1316.051.935

Plant: 068.02.82-1

CONNECTION PLATE



16 S 221 /
CONNECTION PLATE



Parts list

Page 1 from 2



16 S 221 /

Material number: 1316.051.935

Plant: 068.02.55-1

Material-assembly-group-no: 1315.102.439

Pos.	Material number	Customer material	Name	Quantity	ME	Amend. no.	Techn. Info.	Rep kit	Alternative material
10	1316.202.025	5 5337 0	INPUT SHAFT	1			KPL.L109*GL100*ZAPF.25		
/30	1354.302.019		TUBE	1		Z00003830511			
/50	0630.502.027	100CP3461	RETAINING RING	1			50X2		
/70	0750.101.179	1896784	OIL DAM	1		Z00007187910	77,0X95,5X6,0		
50	1316.302.067		HELICAL GEAR	1			Z35 IN 1316 302 026(1)		
70	1312.304.027	81.32425-0092	CLUTCH BODY	1			ENTHALT.IN 1310 304 107(1)		
90	1312.304.027	81.32425-0092	CLUTCH BODY	1		C01004681D10	ENTHALT.IN 1310 304 107(1)		
110	1310.304.202	5 5321 0	SLIDING SLEEVE	1		C01005378A10			
130	1297.304.484	81.32420-0230	SYNCHRO.RING	2					
150	1297.304.436	0068332	PRESSURE PART	3					
160	0732.040.409	0171349	COMPRESSION SPRING	3		C01007317F10			
200	0750.117.732	5 8301 0	TAPERED ROLLER BEARING	1			85,0X150,0X30,5		
220	0730.501.598		RETAINING RING	1		C01007992110	85X4		
240	---		SHIM	1			H= 0,90- 2,40(ABSTUFUNG:0,05MM)		
---	2050.309.094		SHIM	1			A=2,2 IN 2050 309 090 C45E WW.F500 ZFN410		
---	0730.007.489		SHIM	1			A=2,15 IN 2050 309 090(2)		
---	0730.007.488		SHIM	1			A=2,10 IN 2050 309 090(2)		
---	0730.007.487		SHIM	1			A=2,05 IN 2050 309 090(2)		
---	0730.007.486		SHIM	1			A=2,00 IN 2050 309 090(2)		
---	0730.007.485		SHIM	1			A=1,95 IN 2050 309 090(2)		
---	0730.007.484	0730007484	SHIM	1			A=1,90 IN 2050 309 090(2)		
---	0730.007.483		SHIM	1			A=1,85 IN 2050 309 090(2)		
---	0730.007.482		SHIM	1			A=1,80 IN 2050 309 090(2)		
---	0730.007.481		SHIM	1			A=1,75 IN 2050 309 090(2)		
---	0730.007.480	1833896	SHIM	1			A=1,70 IN 2050 309 090(2)		
---	0730.007.479		SHIM	1			A=1,65 IN 2050 309 090(2)		
---	0730.007.136	1290955	SHIM	1			A=1,60 IN 2050 309 090(2)		
---	0730.007.135		SHIM	1			A=1,55 IN 2050 309 090(2)		
---	0730.007.134		SHIM	1			A=1,50 IN 2050 309 090(2)		
---	0730.007.133		SHIM	1			A=1,45 IN 2050 309 090(2)		
---	0730.007.132		SHIM	1			A=1,40 IN 2050 309 090(2)		
---	0730.007.131		SHIM	1			A=1,35 IN 2050 309 090(2)		
---	0730.007.130		SHIM	1			A=1,30 IN 2050 309 090(2)		

Parts list

Page 2 from 2



16 S 221 /

Material number: 1316.051.935

Plant: 068.02.55-1

Material-assembly-group-no: 1315.102.439

Pos.	Material number	Customer material	Name	Quantity	ME	Amend. no.	Techn. Info.	Rep kit	Alternative material
---	0730.007.129		SHIM	1			A=1,25 IN 2050 309 090(2)		
---	2050.309.034		SHIM	1			A=1,2 IN 2050 309 090 C45E WW.F500 ZFN410		
---	0730.007.128		SHIM	1			A=1,15 IN 2050 309 090(2)		
---	0730.007.127		SHIM	1			A=1,10 IN 2050 309 090(2)		
---	0730.007.126		SHIM	1			A=1,05 IN 2050 309 090(2)		
---	2050.309.065		SHIM	1			A=1,0 IN 2050 309 090 C45E WW.F500 ZFN410		
---	0730.005.749		SHIM	1			A=0,95 IN 2050 309 090(2)		
---	0730.005.748	5 5258 0	SHIM	1			A=0,90 IN 2050 309 090(2)		
---	0730.301.503		SHIM	1			h=2,25		
---	0730.301.504		SHIM	1			h=2,30		
---	0730.301.505		SHIM	1			h=2,35		
---	0730.301.506		SHIM	1			h=2,40		
260	0501.314.587	5 6095 0	GASKET	1					
270	1315.302.040		SPACER RING	1					
274	0730.150.766		WASHER	2					
280	1315.202.068		CONNECTION PLATE	1			KPL.		
/110	1315.302.193		CONNECTION PLATE	1		C01007746A10			
/120	0750.111.575	0750111575	SHAFT SEAL	1			30X37X4		
/130	0730.260.398	1615933	BUSH	1			A=25,00		
/150	0750.111.575	0750111575	SHAFT SEAL	1			30X37X4		
/220	0750.111.575	0750111575	SHAFT SEAL	1			30X37X4		
/230	0730.260.398	1615933	BUSH	1			A=25,00		
/250	0750.111.575	0750111575	SHAFT SEAL	1			30X37X4		
290	0734.310.387	5 8002 0	SHAFT SEAL	1		Z00023718610	55X75X8/9,2 FA.CFW		
520	0636.015.685		HEXAGON SCREW	8		Z00009177310	M10X35		
580	0636.102.270	0636 102 270 01	HEXAGON SCREW	3		Z00009177410	M10X60		

Plant

Page 1 from 2

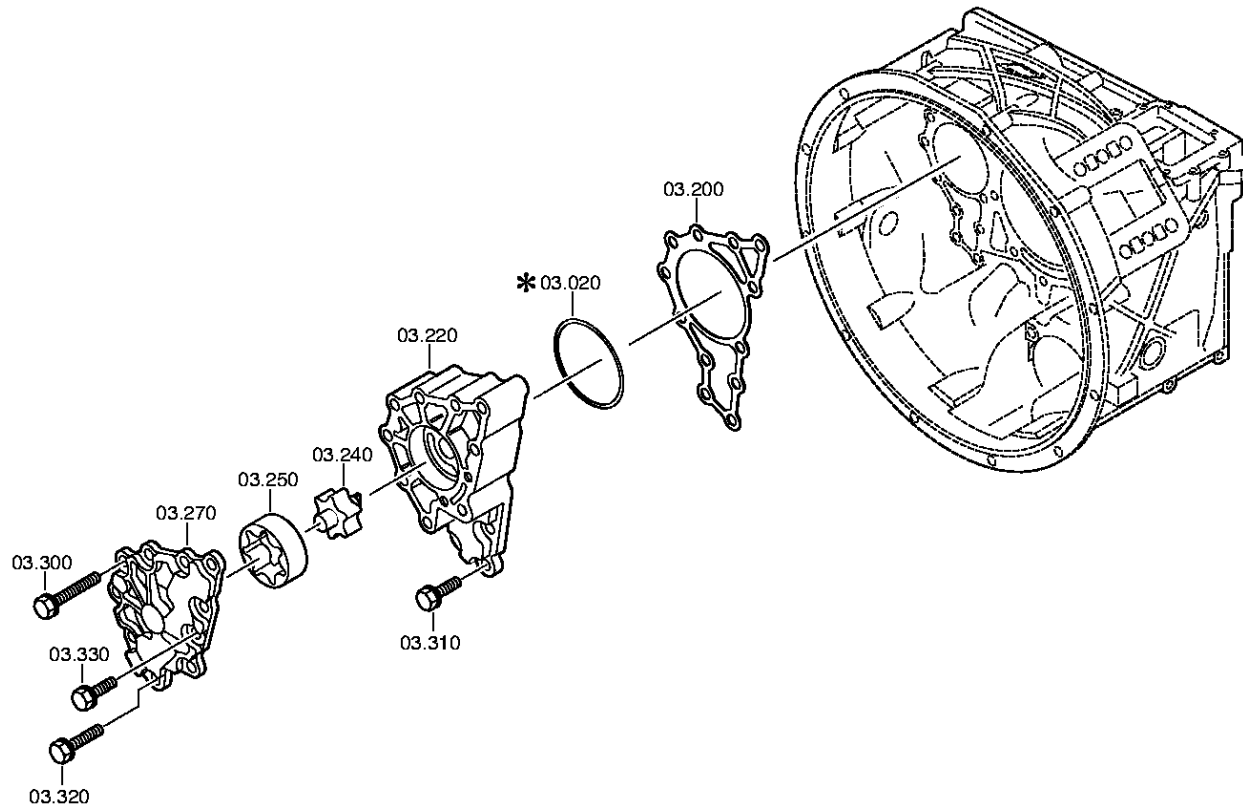
Material number: 1316.051.935

Plant: 068.03.80-1

COUNTERSHAFT



16 S 221 /
COUNTERSHAFT



Plant

Page 2 from 2

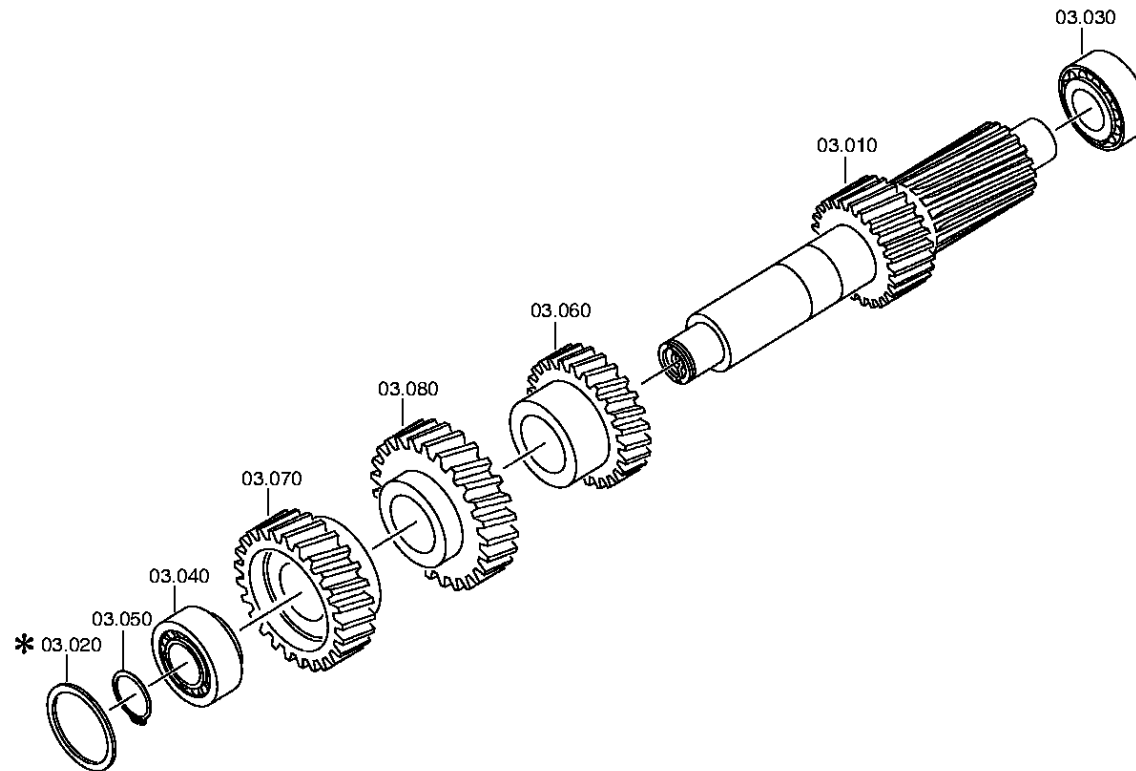
Material number: 1316.051.935

Plant: 068.03.01-1

COUNTERSHAFT



16 S 221 /
COUNTERSHAFT



Parts list

Page 1 from 2



16 S 221 /

Material number: 1316.051.935

Plant: 068.03.80-1

Material-assembly-group-no: 1316.103.803

Pos.	Material number	Customer material	Name	Quantity	ME	Amend. no.	Techn. Info.	Rep kit	Alternative material
10	1316.303.033	5 5340 0	COUNTERSHAFT	1			ENTHALT.IN 1316 303 032(0)		
20	---		SHIM	1			H= 1,85- 3,25(ABSTUFUNG:0,05MM)		
---	0730.112.938		SHIM	1		C01007375C10	A=3,25		
---	0730.112.937		SHIM	1		C01007375C10	A=3,20		
---	0730.112.936		SHIM	1		C01007375C10	A=3,15		
---	0730.112.935		SHIM	1		C01007375C10	A=3,10		
---	0730.106.860	ZF-0730 106 860	SHIM	1		C01007375C10	A=3,05 IN 0730 106 904(2)		
---	0730.106.917	ZF-0730 106 917	SHIM	1			A=3,00 IN 0730 106 904(2)		
---	0730.106.916	1833921	SHIM	1			A=2,95 IN 0730 106 904(2)		
---	0730.106.915	1833920	SHIM	1			A=2,90 IN 0730 106 904(2)		
---	0730.106.914	1833919	SHIM	1			A=2,85 IN 0730 106 904(2)		
---	0730.106.913	1833918	SHIM	1			A=2,80 IN 0730 106 904(2)		
---	0730.106.912		SHIM	1			A=2,75 IN 0730 106 904(2)		
---	0730.106.911	1833917	SHIM	1			A=2,70 IN 0730 106 904(2)		
---	0730.106.910	1833916	SHIM	1			A=2,65 IN 0730 106 904(2)		
---	0730.106.909	1833915	SHIM	1			A=2,60 IN 0730 106 904(2)		
---	0730.106.908	1833914	SHIM	1			A=2,55 IN 0730 106 904(2)		
---	0730.100.799		SHIM	1			A=2,50 IN 0730 106 904(2)		
---	0730.100.800	1833898	SHIM	1			A=2,45 IN 0730 106 904(2)		
---	0730.100.801	ZF-0730 100 801	SHIM	1			A=2,40 IN 0730 106 904(2)		
---	0730.100.802	1833900	SHIM	1			A=2,35 IN 0730 106 904(2)		
---	0730.100.803	1833905	SHIM	1			A=2,30 IN 0730 106 904(2)		
---	0730.101.466	ZF-0730 101 466	SHIM	1			A=2,25 IN 0730 106 904(2)		
---	0730.101.467	1833906	SHIM	1			A=2,20 IN 0730 106 904(2)		
---	0730.101.468	1833907	SHIM	1			A=2,15 IN 0730 106 904(2)		
---	0730.101.469	1833909	SHIM	1			A=2,10 IN 0730 106 904(2)		
---	0730.101.470	1833910	SHIM	1			A=2,05 IN 0730 106 904(2)		
---	0730.101.471		SHIM	1			A=2,00 IN 0730 106 904(2)		
---	0730.106.907	1833912	SHIM	1			A=1,95 IN 0730 106 904(2)		
---	0730.106.906	1833911	SHIM	1			A=1,90 IN 0730 106 904(2)		
---	0730.106.905		SHIM	1			A=1,85 IN 0730 106 904(2)		
30	0750.117.009	8 8449 0	TAPERED ROLLER BEARING	1			49,213X103,188X44,475		
40	0750.117.009	8 8449 0	TAPERED ROLLER BEARING	1			49,213X103,188X44,475		
50	---		RETAINING RING	1		C01002877A10	H= 2,40- 3,00(ABSTUFUNG:0,05MM)		

Parts list

Page 2 from 2



16 S 221 /

Material number: 1316.051.935

Plant: 068.03.80-1

Material-assembly-group-no: 1316.103.803

Pos.	Material number	Customer material	Name	Quantity	ME	Amend. no.	Techn. Info.	Rep kit	Alternative material
---	0630.531.065	8603574	RETAINING RING	1			50X3		
---	0630.501.111		RETAINING RING	1			50X2,95		
---	0630.501.112	0002640551	RETAINING RING	1			50X2,9		
---	0630.501.113		RETAINING RING	1			50X2,85		
---	0630.501.114	0002641451	RETAINING RING	1			50X2,8		
---	0630.501.115		RETAINING RING	1			50X2,75		
---	0630.501.116	0002641351	RETAINING RING	1			50X2,7		
---	0630.501.117	0140310	RETAINING RING	1			50X2,65		
---	0630.501.118	0002641251	RETAINING RING	1			50X2,6		
---	0630.501.160		RETAINING RING	1			50X2,55		
---	0630.531.064	1663657	RETAINING RING	1			50X2,5		
---	0630.501.159		RETAINING RING	1			50X2,45		
---	0630.501.148	0002641051	RETAINING RING	1			50X2,4		
60	1316.303.005	1295190	HELICAL GEAR	1			3G/Z26 IN 1312 303 018(1)		
70	1316.303.071		HELICAL GEAR	1			KON 1		
80	1316.303.065	1360899	HELICAL GEAR	1			Z35 IN 1312 303 013(1)		
200	1315.303.060	H0491909	GASKET	1		C01005349C10			
220	---		PUMP HOUSING	1			GD*GSLs		
---	1315.302.121	5 5355 0	PUMP HOUSING	1					
---	1315.302.117		PUMP HOUSING	1					
240	1314.202.039	5 5842 0	PUMP SHAFT	1			KPL.		
250	1315.303.027	5 5857 0	ROTOR	1					
270	---		PUMP COVER	1			GD*GSLs		
---	1315.302.120	5 5855 0	PUMP COVER	1					
---	1315.302.116		PUMP COVER	1					
300	0636.015.684		HEXAGON SCREW	8		Z00009177510	M10X85		
310	0636.015.685		HEXAGON SCREW	3		Z00009177310	M10X35		
320	0636.102.270	0636 102 270 01	HEXAGON SCREW	1		Z00009177410	M10X60		
330	0636.015.685		HEXAGON SCREW	2		Z00009177310	M10X35		

Plant

Page 1 from 1

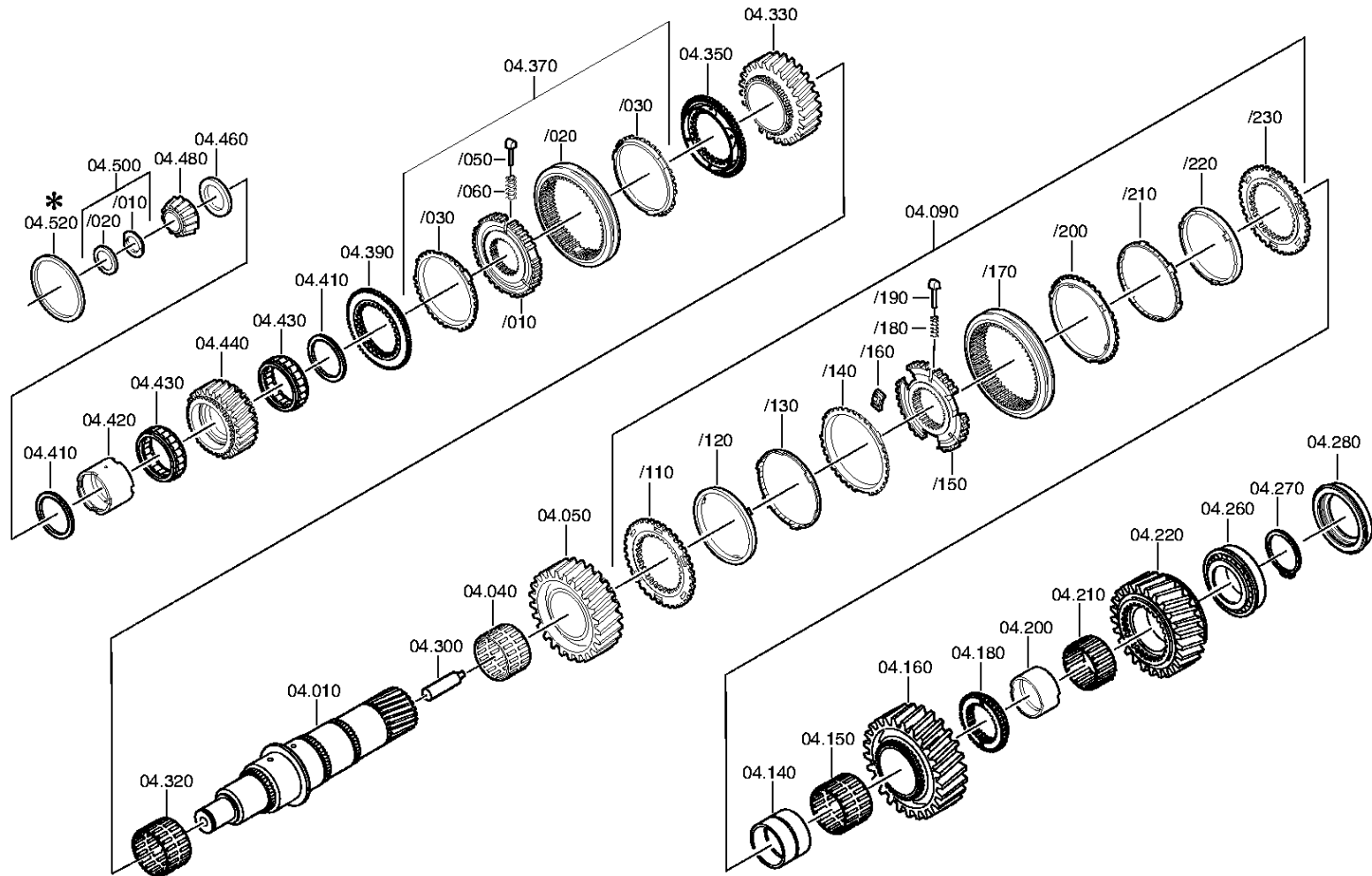
Material number: 1316.051.935

Plant: 068.04.12-1

Material-assembly-group-no: 1316.104.040



16 S 221 /
MAIN SHAFT



Parts list

Page 1 from 3



16 S 221 /

Material number: 1316.051.935

Plant: 068.04.12-1

Material-assembly-group-no: 1316.104.040

Pos.	Material number	Customer material	Name	Quantity	ME	Amend. no.	Techn. Info.	Rep kit	Alternative material
10	1316.304.132	1395314	MAIN SHAFT	1					
40	0750.115.303	5 8158 0	NEEDLE CAGE	1			92,0X100,0X63,0		
50	1316.304.002	133-242-3900	HELICAL GEAR	1			2G/Z38 IN 1316 304 005(1)		
90	1315.204.006		SYNCHRONIZER	1			KPL.1+2G*DK		
/110	1312.304.106	5 5328 0	CLUTCH DISC	1					
/120	1268.304.424	5 5280 0	INNER RING	1					
/130	1268.304.494	820-400-2510	INTERMEDIATE RING	1			ENTHALT.IN 6002 306 153(0)		
/140	1268.304.525	5 5288 0	OUTER RING	1			ENTHALT.IN 1310 304 095(1)		
/150	1312.304.158	1250147	SYNCHRO.BODY	1			ZF-D171/164		
/160	1312.304.159	1300312	COUPLING ELEMENT	3		C01006893A10			
/170	1310.304.175	5 5320 0	SLIDING SLEEVE	1		C01007317F10			
/180	0732.040.409	0171349	COMPRESSION SPRING	3					
/190	1297.304.436	0068332	PRESSURE PART	3					
/200	1268.304.525	5 5288 0	OUTER RING	1			ENTHALT.IN 1310 304 095(1)		
/210	1268.304.494	820-400-2510	INTERMEDIATE RING	1			ENTHALT.IN 6002 306 153(0)		
/220	1268.304.424	5 5280 0	INNER RING	1					
/230	1312.304.106	5 5328 0	CLUTCH DISC	1					
140	1312.304.084	42480712	BUSH	1			ENTHALT.IN 1312 304 007(2)		
150	0750.115.327	5 8157 0	NEEDLE CAGE	1			96,0X104,0X72,0		
160	1316.304.010	1316304010	HELICAL GEAR	1			1G/Z47 IN 1312 304 033(0)		
180	1312.304.124	1295199	CLUTCH BODY	1			ENTHALT.IN 1312 304 055(0)		
200	1316.304.133	42480812	BUSH	1			A=50,00 IN 1312 304 010(2)		
210	0750.115.326	5 8156 0	NEEDLE CAGE	1			90,0X98,0X50,0		
220	---		HELICAL GEAR	1					
---	1316.304.012	133-242-3920	HELICAL GEAR	1			RG*Z44 IN 1312 304 125(0)		
---	1316.304.235		HELICAL GEAR	1					
260	0750.117.678	8 8114 0	TAPERED ROLLER BEARING	1			80,0X140,0X36,5		
270	---		RETAINING RING	1			H= 3,00- 3,65(ABSTUFUNG:0,05MM)		
---	0630.501.316	820-400-2580	RETAINING RING	1			80X3,5		
---	0630.501.336	H0109516	RETAINING RING	1			80X3,45		
---	0630.501.315	820-400-2582	RETAINING RING	1			80X3,4		
---	0630.501.335	H0109514	RETAINING RING	1			80X3,35		
---	0630.501.314	820-400-2584	RETAINING RING	1			80X3,3		
---	0630.501.334	820-400-2585	RETAINING RING	1			80X3,25		

Parts list

Page 2 from 3



16 S 221 /

Material number: 1316.051.935

Plant: 068.04.12-1

Material-assembly-group-no: 1316.104.040

Pos.	Material number	Customer material	Name	Quantity	ME	Amend. no.	Techn. Info.	Rep kit	Alternative material
---	0630.501.313	820-400-2586	RETAINING RING	1			80X3,2		
---	0630.501.333	820-400-2587	RETAINING RING	1			80X3,15		
---	0630.501.312	820-400-2588	RETAINING RING	1			80X3,1		
---	0630.501.337	820-400-2589	RETAINING RING	1			80X3,55		
---	0630.501.338	820-400-2590	RETAINING RING	1			80X3,6		
---	0630.501.339	820-400-2591	RETAINING RING	1			80X3,65		
280	1315.332.073	1623382	PRESSURE DISK	1					
300	1312.304.150	5 5177 0	TUBE	1					
320	0750.115.303	5 8158 0	NEEDLE CAGE	1			92,0X100,0X63,0		
330	1316.304.008	133-242-3930	HELICAL GEAR	1			3G/Z34 IN 1312 304 135(1)		
350	1316.304.190	1831990	CLUTCH BODY	1		Z00006981311	ZF-BK 144 O		
370	1356.204.006		SYNCHRONIZER	1		Z00006981311	KPL.3+4G*BK144 MOLYBDAEN* ANSCHL.INTEGR VERST*ECOSPLIT 3+4		
/10	1356.304.019	1833885	SYNCHRO.BODY	1		Z00006981313			
/20	1356.304.023	1833891	SLIDING SLEEVE	1		Z00006981313	ZF-BK 144		
/30	1316.304.189	1832004	SYNCHRO.RING	2		Z00006981313	ZF-BK 144		
/50	1297.304.436	0068332	PRESSURE PART	3		Z00006981313			
/60	0732.040.409	0171349	COMPRESSION SPRING	3		Z00006981313			
390	1316.304.190	1831990	CLUTCH BODY	1		Z00006981311	ZF-BK 144 O		
410	0750.101.158		THRUST WASHER	2					
420	0750.119.124	5 8910 0	INNER RING	1			67,0X77,0X66,1		
430	0750.115.531	5 8908 0	ROLLER CAGE	2			77,0X101,0X29,0		
440	1316.304.103	5 5341 0	HELICAL GEAR	1			Z32		
460	---		AXIAL WASHER	1			H= 7,30- 8,00(ABSTUFUNG:0,10MM)		
---	1315.304.048	5 5877 0	AXIAL WASHER	1			A=8,00 IN 1315 304 042(2)		
---	1315.304.047	5 5859 0	AXIAL WASHER	1			A=7,90 IN 1315 304 042(2)		
---	1315.304.046	ZF-1315 304 046	AXIAL WASHER	1			A=7,80 IN 1315 304 042(2)		
---	1315.304.045	5 5858 0	AXIAL WASHER	1			A=7,70 IN 1315 304 042(2)		
---	1315.304.044	ZF-1315 304 044	AXIAL WASHER	1			A=7,60 IN 1315 304 042(2)		
---	1315.304.043	ZF-1315 304 043	AXIAL WASHER	1			A=7,50 IN 1315 304 042(2)		
---	1315.304.085	ZF-1315 304 085	AXIAL WASHER	1			A=7,40 IN 1315 304 042(2)		
---	1315.304.086	1833949	AXIAL WASHER	1			A=7,30 IN 1315 304 042(2)		
480	0750.117.232	81.93501.0080	TAPERED ROLLER BEARING	1			42,0X40,3		

Parts list

Page 3 from 3



16 S 221 /

Material number: 1316.051.935

Plant: 068.04.12-1

Material-assembly-group-no: 1316.104.040

Pos.	Material number	Customer material	Name	Quantity	ME	Amend. no.	Techn. Info.	Rep kit	Alternative material
500	1312.204.040		SPLIT RING	1			GESTANZT		
/10	---		SPLIT RING	2			H= 4,60- 5,00(ABSTUFUNG:0,10MM)		
---	0730.107.023	820-400-2660	SPLIT RING	2			A=5,00 IN 0730 106 207(2)		
---	0730.107.022	820-400-2661	SPLIT RING	2			A=4,90 IN 0730 106 207(2)		
---	0730.107.021	820-400-2662	SPLIT RING	2			A=4,80 IN 0730 106 207(2)		
---	0730.107.020	820-400-2663	SPLIT RING	2			A=4,70 IN 0730 106 207(2)		
---	0730.107.019	820-400-2664	SPLIT RING	2			A=4,60 IN 0730 106 207(2)		
/20	0730.062.781	H0224840	RETAINING RING	1			ENTHALT.IN 0730 062 636(2)		

Plant

Page 1 from 3

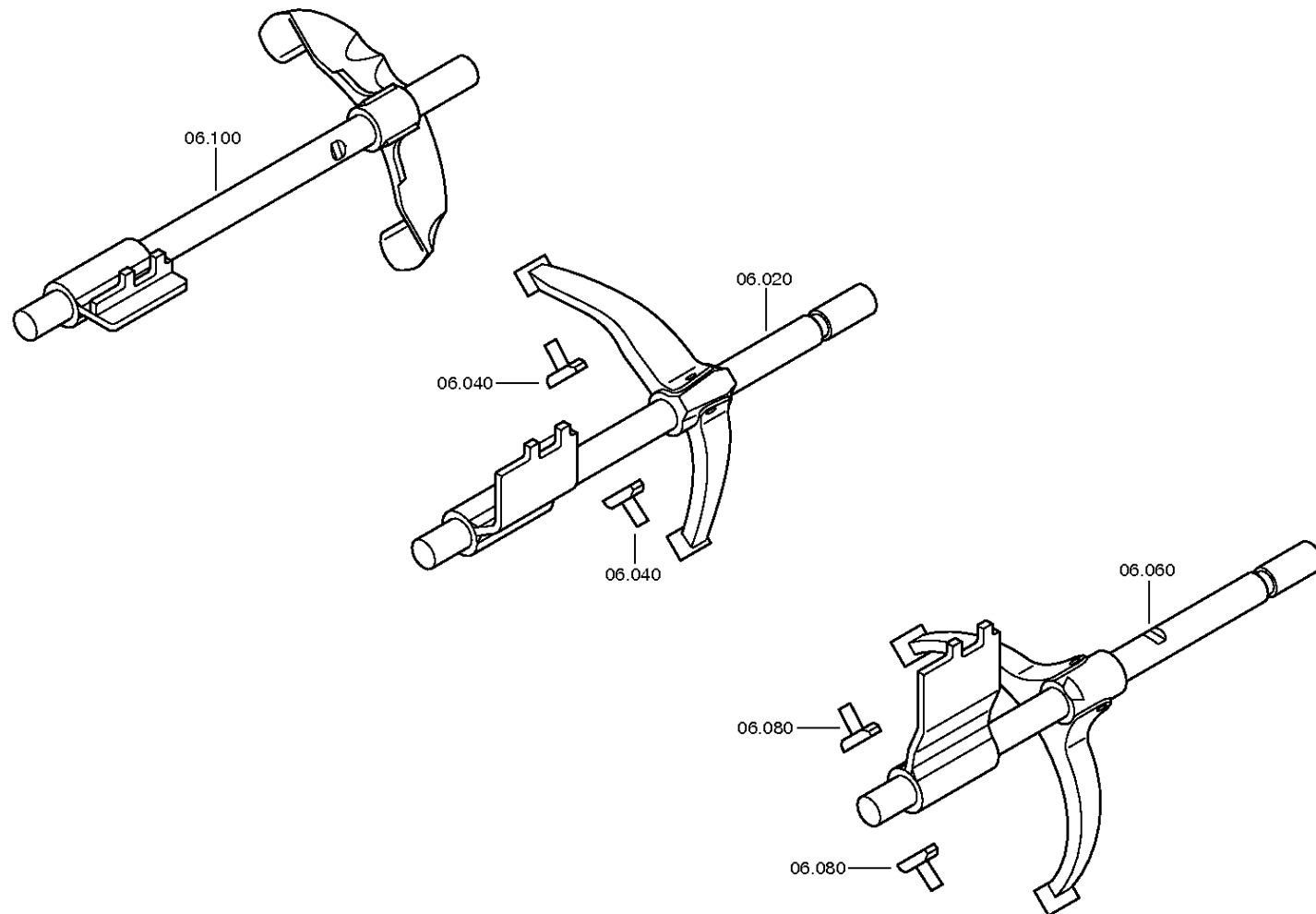
Material number: 1316.051.935

Plant: 068.06.01-1

SHIFT SYSTEM



16 S 221 /
SHIFT SYSTEM



Plant

Page 2 from 3

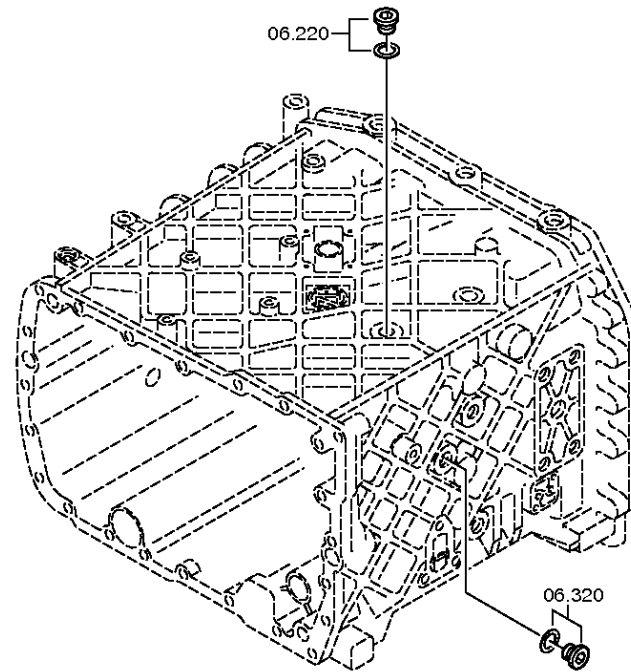
Material number: 1316.051.935

Plant: 068.06.43-1

SHIFT SYSTEM



16 S 221 /
SHIFT SYSTEM



Plant

Page 3 from 3

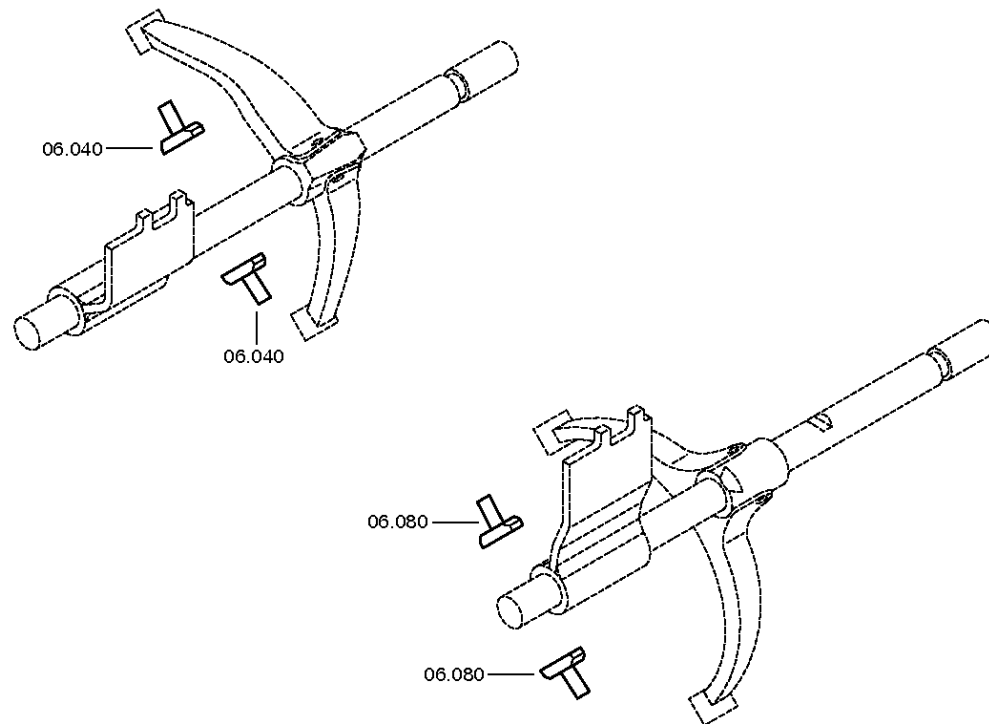
Material number: 1316.051.935

Plant: 068.06.80-1

SHIFT SYSTEM



16 S 221 /
SHIFT SYSTEM



Parts list

Page 1 from 1



16 S 221 /

Material number: 1316.051.935

Plant: 068.06.01-1

Material-assembly-group-no: 1316.106.008

Pos.	Material number	Customer material	Name	Quantity	ME	Amend. no.	Techn. Info.	Rep kit	Alternative material
20	1316.206.055	1815771	GEAR SHIFT RAIL	1			1+2GANG*LANG*WI		
40	1316.306.015	5 5342 0	SLIDING PAD	2					
60	1316.206.058	1815772	GEAR SHIFT RAIL	1			3+4GANG*LANG*WI		
/10	1316.306.030		GEAR SHIFT RAIL	1					
/20	1325.306.028		GEAR SHIFT FORK	1			3/4G		
/50	0631.329.086		SLOTTED PIN	1			8X40		
/60	0631.329.057		SLOTTED PIN	1			5X40		
80	1316.306.015	5 5342 0	SLIDING PAD	2					
100	1316.206.061	1815773	GEAR SHIFT RAIL	1			R-GANG*LANG*WI		
/10	1316.306.028		GEAR SHIFT RAIL	1					
/20	1355.306.003		GEAR SHIFT FORK	1			RG		
/50	0631.329.086		SLOTTED PIN	1			8X40		
/60	0631.329.057		SLOTTED PIN	1			5X40		
220	---		SCREW PLUG	1		Z00010111513	35N.M*DICHTRING M18X1,5		
---	0636.100.791		SCREW PLUG	1		Z00010111521	M18X1,5		
---	0634.801.062	1804055	SEALING RING	1		Z00010111521	18X24		
320	---		SCREW PLUG	1		Z00010111513	35N.M*DICHTRING M18X1,5		
---	0636.100.791		SCREW PLUG	1		Z00010111521	M18X1,5		
---	0634.801.062	1804055	SEALING RING	1		Z00010111521	18X24		

Plant

Page 1 from 4

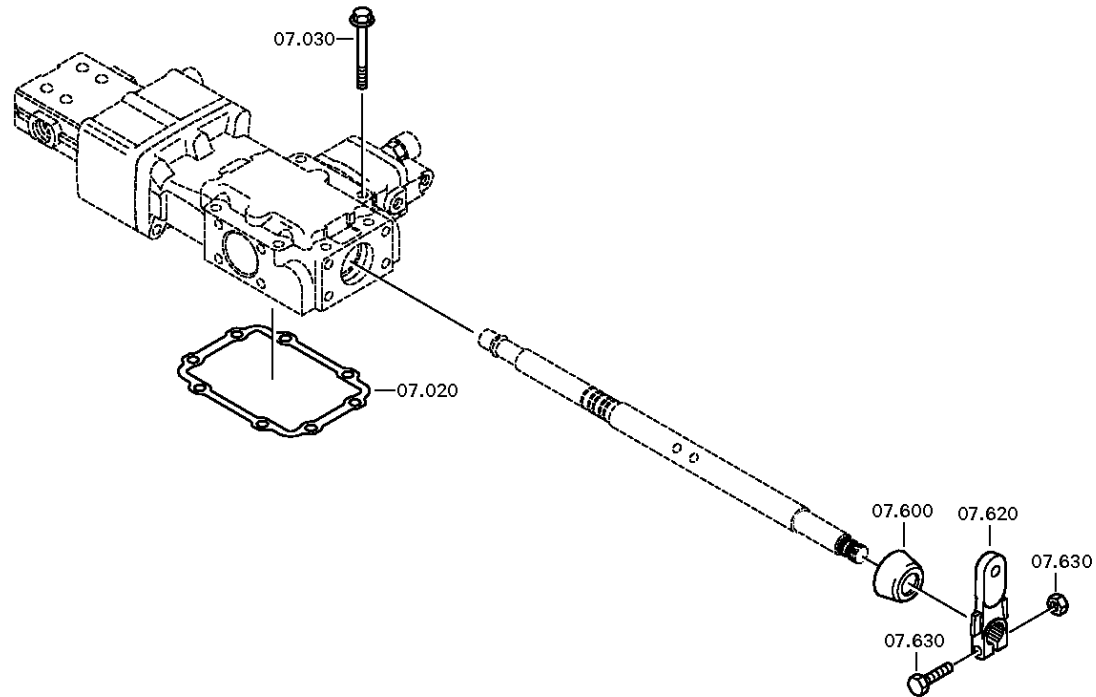
Material number: 1316.051.935

Plant: 068.07.71-1

GEAR SHIFT HOUSING



16 S 221 /
GEAR SHIFT HOUSING



Plant

Page 2 from 4

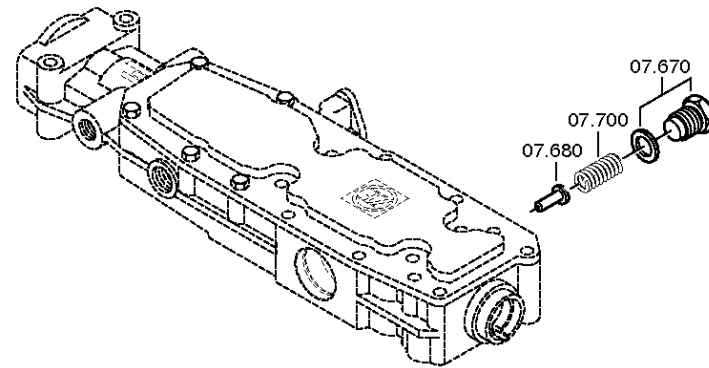
Material number: 1316.051.935

Plant: 068.07.09-1

GEAR SHIFT HOUSING



16 S 221 /
GEAR SHIFT HOUSING



Plant

Page 3 from 4

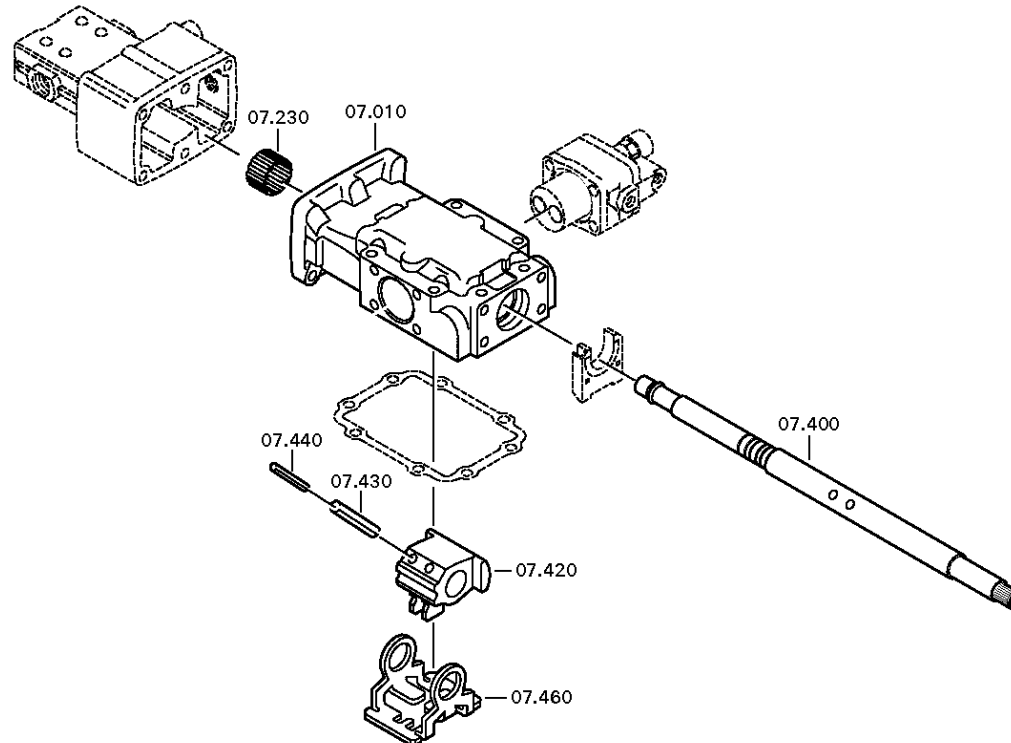
Material number: 1316.051.935

Plant: 068.07.12-1

GEAR SHIFT HOUSING



16 S 221 /
GEAR SHIFT HOUSING



Plant

Page 4 from 4

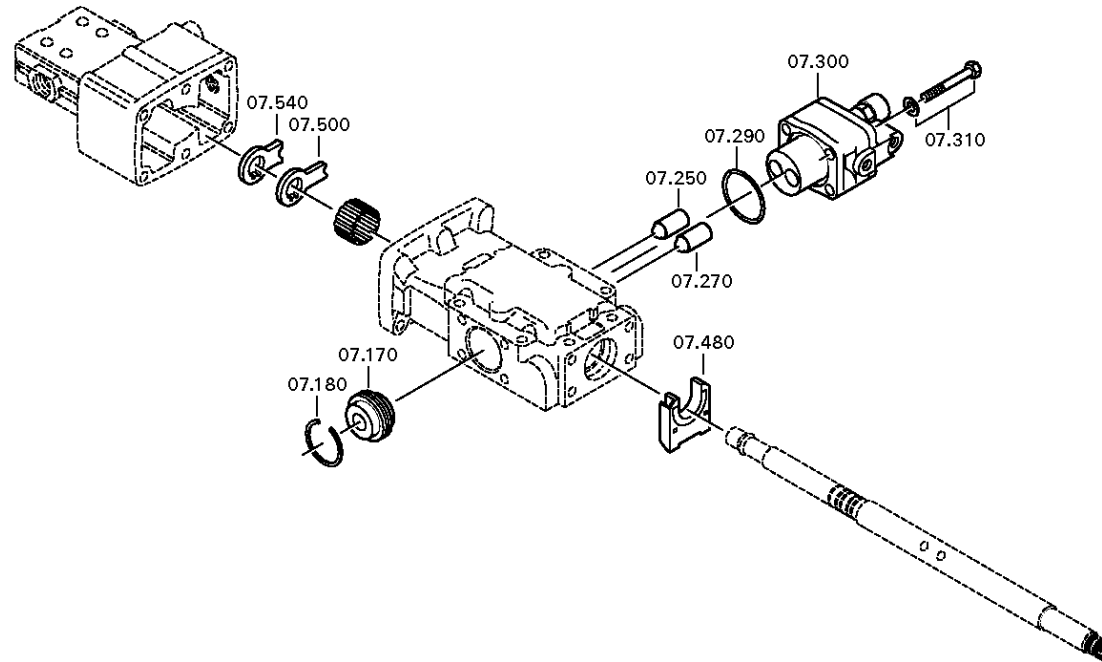
Material number: 1316.051.935

Plant: 068.07.16-1

GEAR SHIFT HOUSING



16 S 221 /
GEAR SHIFT HOUSING



Parts list

Page 1 from 1



16 S 221 /

Material number: 1316.051.935

Plant: 068.07.71-1

Material-assembly-group-no: 1315.107.833

Pos.	Material number	Customer material	Name	Quantity	ME	Amend. no.	Techn. Info.	Rep kit	Alternative material
10	1315.307.123		GEAR SHIFT HOUSING	1			ENTHALT.IN 1315 307 122(0)		
20	1315.307.013	133-138-1020	GASKET	1					
30	0736.300.136		HEXAGON SCREW	8		Z00009195210	M8X75 M8X75		
170	0501.209.212	5 5247 0	DETENT	1			KPL.		
180	0630.532.130	0630532130	V-RING	1					
230	0635.303.053		NEEDLE SLEEVE	1			25X32X20		
250	0501.209.188	5 6102 0	BALL CASTER	1			KPL.		
270	0501.209.188	5 6102 0	BALL CASTER	1			KPL.		
290	0634.313.505	1295216	O-RING	1			42X3		
300	6038.202.043	5 6065 0	CUT-OFF VALVE	1		C01002144C10	KPL.H-H*ZULUFTDROSSEL 1,55		
310	---		HEXAGON SCREW	4		Z00007054112	M8X65		
---	0636.100.519		HEXAGON SCREW	4		Z00007054110	M8X65		
---	0630.100.295		WASHER	4		Z00007158414			
400	1315.307.094	5 5866 0	GEARSHIFT SHAFT	1			ENTHALT.IN 1315 307 157(1)		
420	---		DRIVER	1			W I		
---	1315.307.092		DRIVER	1					
430	0631.329.101	0631329101	SLOTTED PIN	2			10X45		
440	0631.329.073	0631329073	SLOTTED PIN	2			6X45		
460	1315.307.308	1351617	LOCKING PIECE	1					
500	1315.307.304	1353839	DETENT SHEET	1					
540	1315.307.120		DETENT	1					
600	---		PROTECTION CAP	1		Z00009174510			
---	1324.307.269		PROTECTION CAP	1		Z00009174510			
---	1324.307.268	1897381	PROTECTION CAP	1		Z00009174312			
620	1316.307.420	1972935	SHIFT LEVER	1			U551		
630	---		BOLT+NUT	1		Z00007891713	M10X40		
---	0636.100.789	REPLACEMENT FOR 0636.015.469	HEXAGON SCREW	1		Z00007891711	M10X40		
---	0637.100.419		HEXAGON NUT	1		Z00007892710	M10		
670	---		SCREW	1		Z00010146310	M22X1,5		
---	1315.307.736		SCREW	1		Z00010146312	M22X1,5		
---	0730.009.515	0730009515	SEALING RING	1		Z00010146312	A22X27		
680	1315.307.190		BOLT	1			ENTHALT.IN 1250 307 589(2)		
700	0732.040.985	5 5874 0	COMPRESSION SPRING	1					

Plant

Page 1 from 4

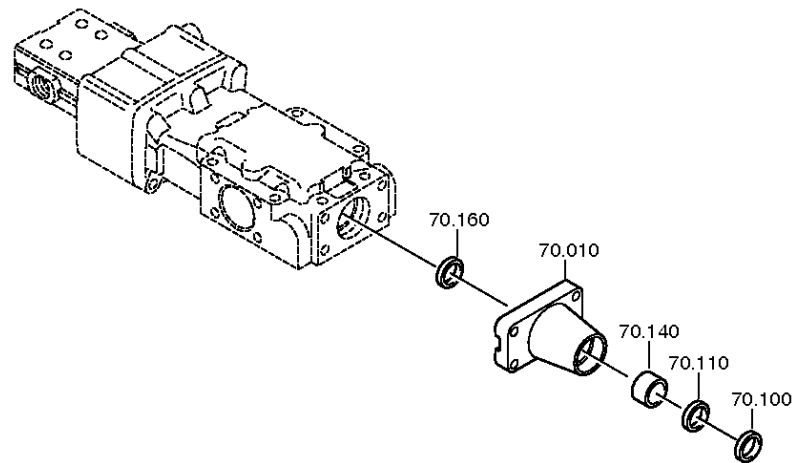
Material number: 1316.051.935

Plant: 068.08.17-1

SHIFT TURRET



16 S 221 /
SHIFT TURRET



Plant

Page 2 from 4

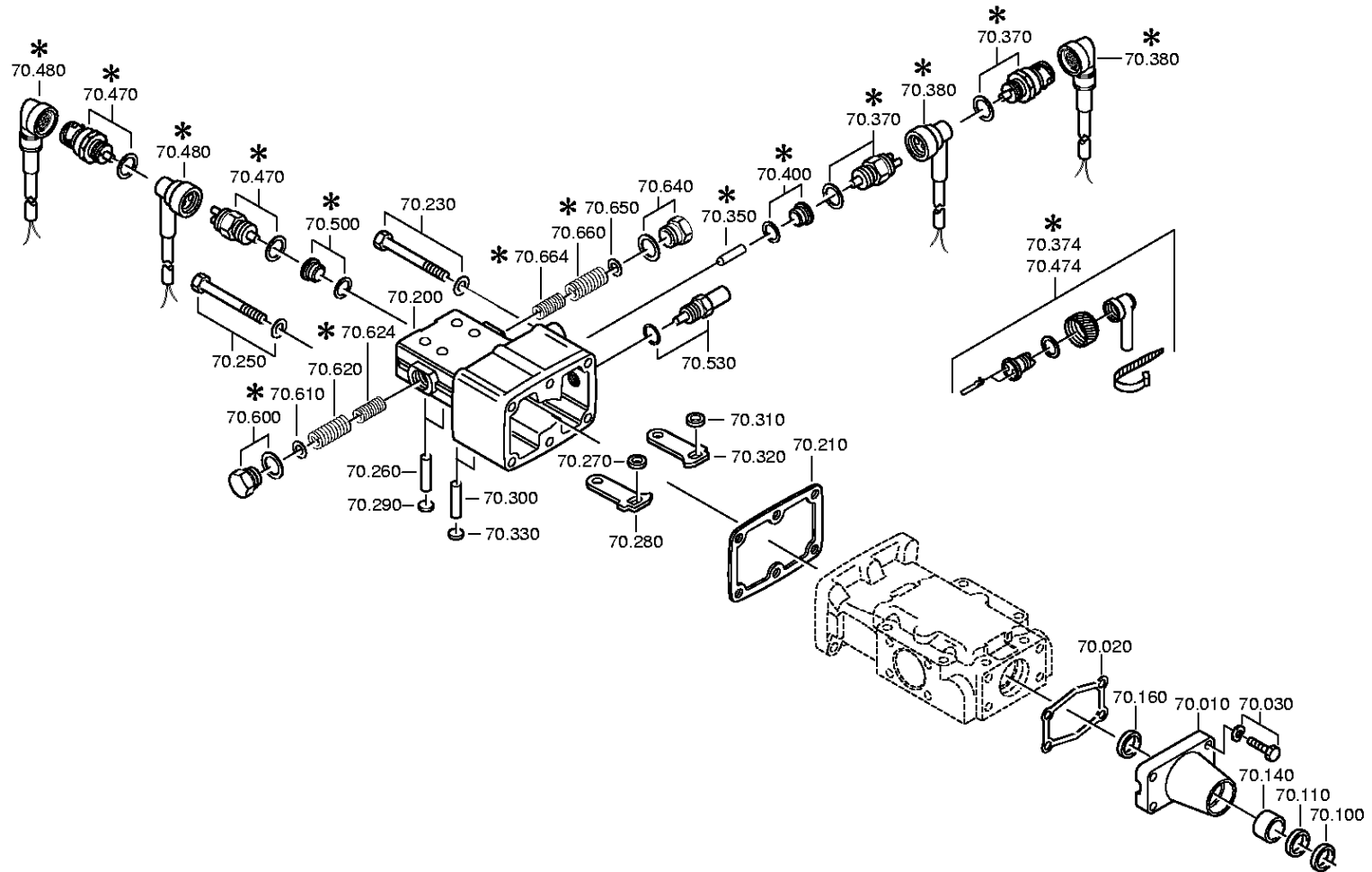
Material number: 1316.051.935

Plant: 068.08.06-1

SHIFT TURRET



16 S 221 /
SHIFT TURRET



Plant

Page 3 from 4

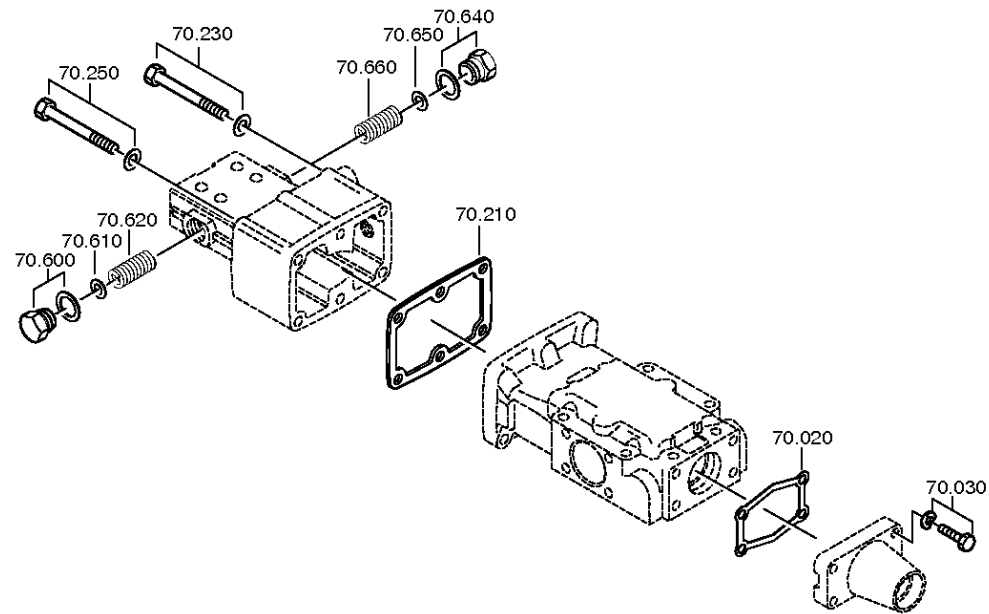
Material number: 1316.051.935

Plant: 068.08.14-1

SHIFT TURRET



16 S 221 /
SHIFT TURRET



Plant

Page 4 from 4

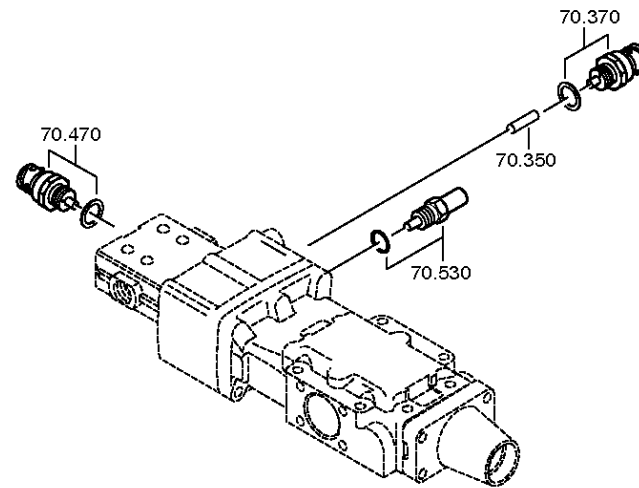
Material number: 1316.051.935

Plant: 068.08.15-1

SHIFT TURRET



16 S 221 /
SHIFT TURRET



Parts list

Page 1 from 2



16 S 221 /

Material number: 1316.051.935

Plant: 068.08.17-1

Material-assembly-group-no: 1316.170.001

Pos.	Material number	Customer material	Name	Quantity	ME	Amend. no.	Techn. Info.	Rep kit	Alternative material
10	1304.307.425	100CP4633	GEAR SHIFT COVER	1					
20	0501.318.308	1395308	GASKET	1					
30	---		HEXAGON SCREW	4		Z00007891312	M8X30		
---	0636.100.797		HEXAGON SCREW	4		Z00007891310	M8X30		
---	0630.100.295		WASHER	4		Z00007158414			
100	0634.307.367		SCRAPER	1					
110	---		SHAFT SEAL	1		C01008933B10	25X35X7		
---	0734.300.196	0734300196	SHAFT SEAL	1			25X35X7 FA.CFW		
140	0730.260.330	3120-12-177-0347	BEARING BUSH	1			A=20,00 IN 0730 260 546(2)		
160	0634.300.020	5330-12-183-7877	SHAFT SEAL	1			25X32X5		
200	1315.307.140		HOUSING	1			GASSEN-SPERRE		
210	1315.307.012	1290993	GASKET	1					
230	---		HEXAGON SCREW	3		Z00007069014	M8X85		
---	0636.011.764		HEXAGON SCREW	3		Z00007069013	M8X85		
---	0630.100.295		WASHER	3		Z00007158414			
250	---		HEXAGON SCREW	3		Z00007069014	M8X85		
---	0636.011.764		HEXAGON SCREW	3		Z00007069013	M8X85		
---	0630.100.295		WASHER	3		Z00007158414			
260	0631.306.226		CYLINDRICAL PIN	2			6X32		
270	0730.006.347	S301607	RING	1			A=6,00		
280	1304.307.019		DETENT LEVER	1					
290	---		SEALING CAP	2			14		
---	0630.361.032		SEALING CAP	2					
300	0631.306.226		CYLINDRICAL PIN	2			6X32		
310	0730.006.347	S301607	RING	1			A=6,00		
320	1304.307.019		DETENT LEVER	1					
330	---		SEALING CAP	2			14		
---	0630.361.032		SEALING CAP	2					
350	0731.208.230	ZF-0731 208 230	PIN	1			A=30,0		
370	---		SWITCH	1		Z00004287211	OEFF*45N.M*DICHTRING*BAJONETT*		
---	0501.219.856	1946804	SWITCH	1			OEFFNER DIN BAJONETT		
---	0634.801.062	1804055	SEALING RING	1			18X24		

Parts list

Page 2 from 2



16 S 221 /

Material number: 1316.051.935

Plant: 068.08.17-1

Material-assembly-group-no: 1316.170.001

Pos.	Material number	Customer material	Name	Quantity	ME	Amend. no.	Techn. Info.	Rep kit	Alternative material
470	---		SWITCH	1		Z00025033610	SCHL*45N.M*DICHTRING*BAJONETT* SCHUTZKAPPE		
---	0501.331.660	2007380	SWITCH	1		Z00025033617			
---	0634.801.062	1804055	SEALING RING	1		Z00025033617	18X24		
530	---		DETENT PLUNGER	1			168N*50N.M*WL		
---	1324.207.004	1882876	DETENT PLUNGER	1		Z00009531710	KPL. *168 N		
---	0630.000.072	1000000168	SHIM RING	1			16X22X1		
600	---		SCREW	1		Z00010146310	M22X1,5		
---	1315.307.736		SCREW	1		Z00010146312	M22X1,5		
---	0730.009.515	0730009515	SEALING RING	1		Z00010146312	A22X27		
610	0630.001.051		WASHER	1					
620	0732.040.986	0692228	COMPRESSION SPRING	1					
640	---		SCREW	1		Z00010146310	M22X1,5		
---	1315.307.736		SCREW	1		Z00010146312	M22X1,5		
---	0730.009.515	0730009515	SEALING RING	1		Z00010146312	A22X27		
650	0630.001.051		WASHER	1					
660	0732.040.986	0692228	COMPRESSION SPRING	1					

Plant

Page 1 from 1

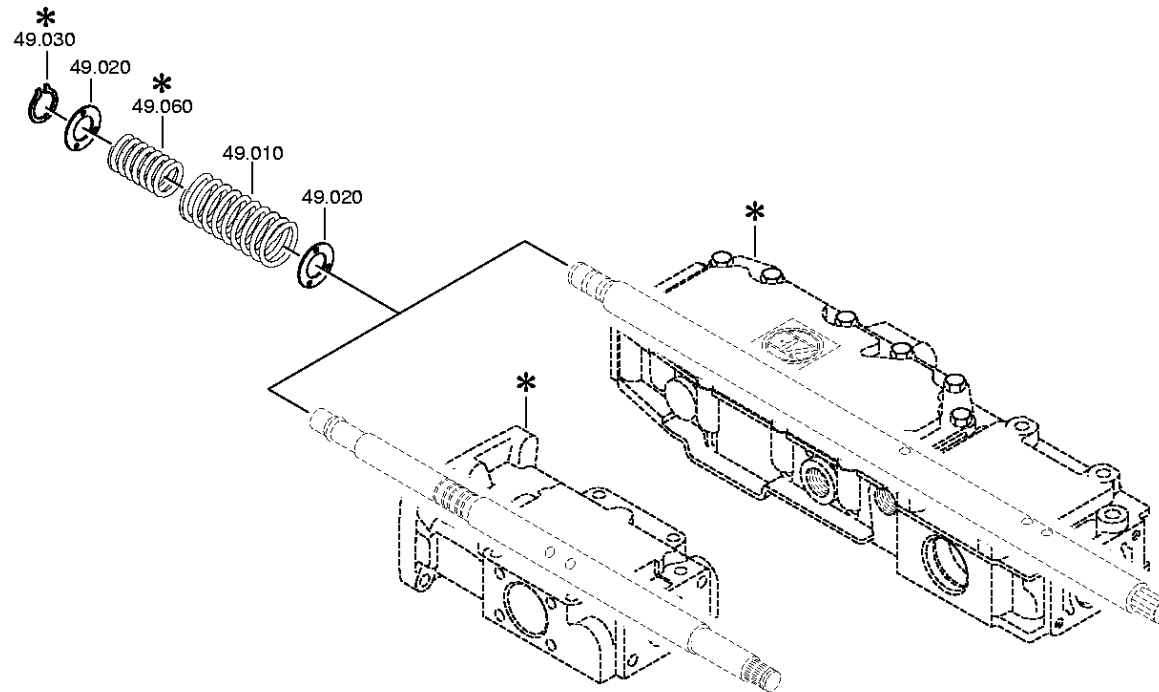
Material number: 1316.051.935

Plant: 068.12.01-1

Material-assembly-group-no: 1316.149.025



16 S 221 /
SET OF SPRINGS



Parts list

Page 1 from 1

Material number: 1316.051.935

Plant: 068.12.01-1

Material-assembly-group-no: 1316.149.025



16 S 221 /

Pos.	Material number	Customer material	Name	Quantity	ME	Amend. no.	Techn. Info.	Rep kit	Alternative material
10	0732.041.549	0732041549	COMPRESSION SPRING	1					
20	0730.301.376	1884285	WASHER	2		Z00008917410			
30	0630.532.138	5004143	V-RING	1					

Plant

Page 1 from 2

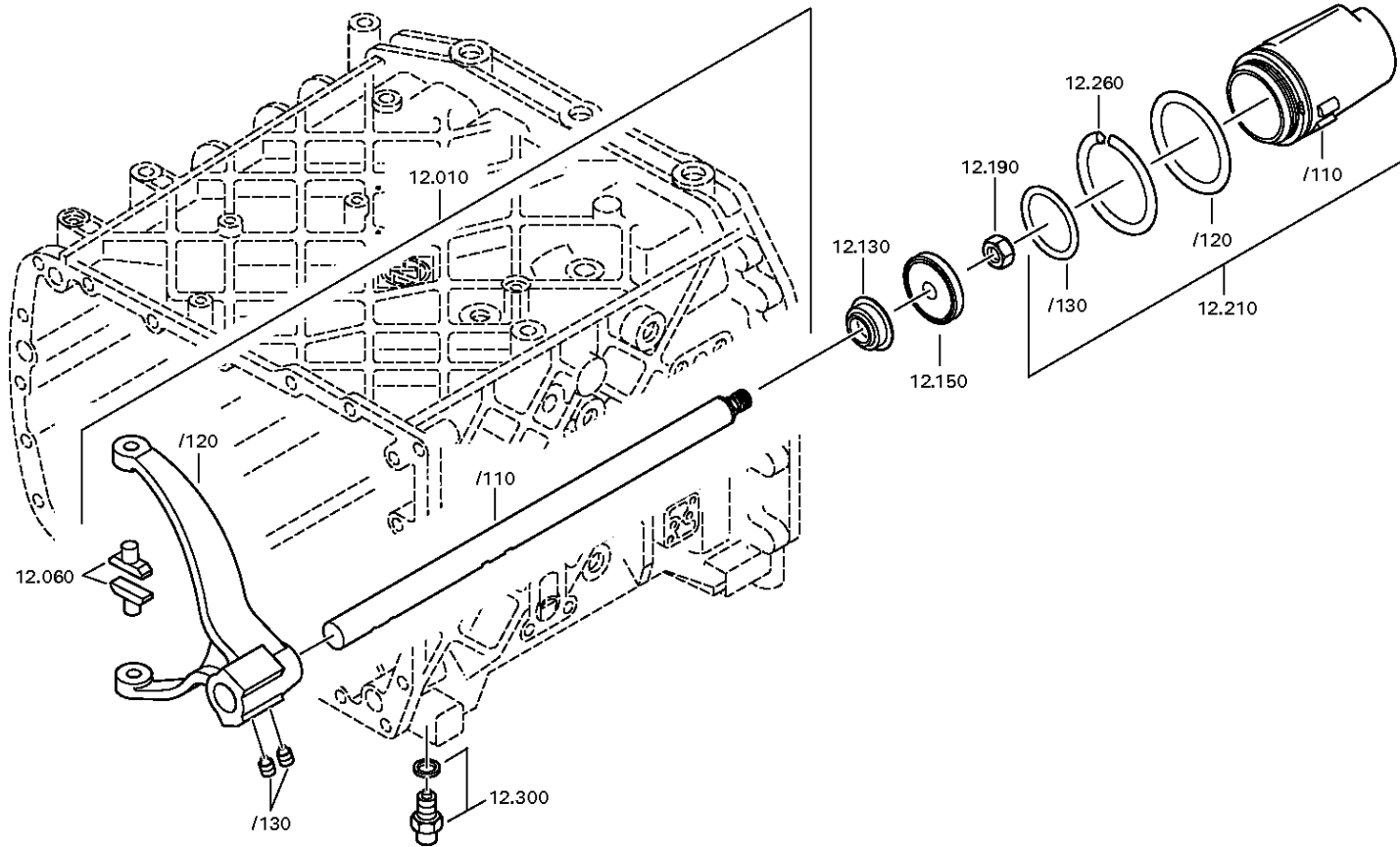
Material number: 1316.051.935

Plant: 068.40.04-1

GV-SHIFT SYSTEM



16 S 221 /
GV-SHIFT SYSTEM



Plant

Page 2 from 2

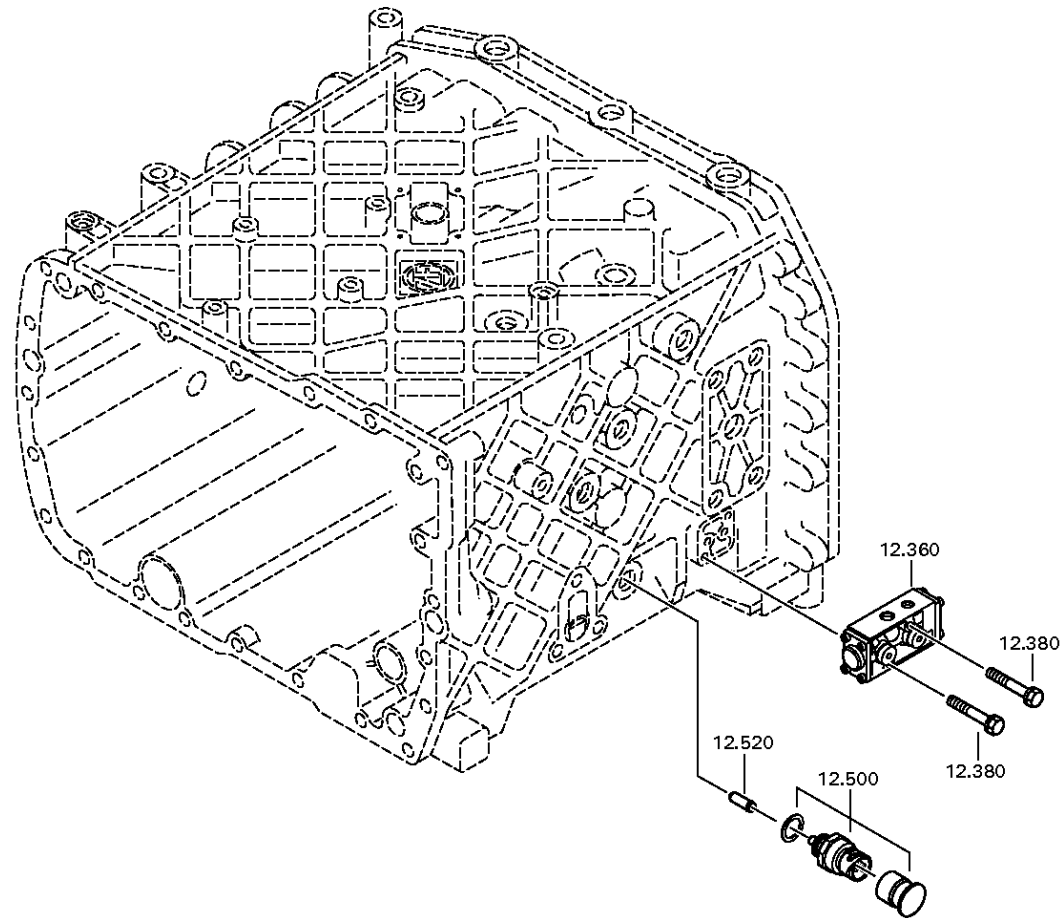
Material number: 1316.051.935

Plant: 068.40.41-1

GV-SHIFT SYSTEM



16 S 221 /
GV-SHIFT SYSTEM



Parts list

Page 1 from 1



16 S 221 /

Material number: 1316.051.935

Plant: 068.40.04-1

Material-assembly-group-no: 1316.112.014

Pos.	Material number	Customer material	Name	Quantity	ME	Amend. no.	Techn. Info.	Rep kit	Alternative material
10	1316.212.010		GEAR SHIFT RAIL	1		Z00012212711	KPL.GV.LAG.GEH.1		
/110	1316.312.023	1604639	GEAR SHIFT RAIL	1					
/120	1315.312.074		GEAR SHIFT FORK	1			GV ECO 3		
/130	1315.312.047	42172912	SET SCREW	2			M12X1		
60	1316.306.015	5 5342 0	SLIDING PAD	2		Z00012212711			
130	0750.112.131	8 8342 0	FLANGE PACKING	1		Z00012212711	25X40X15		
150	0501.324.670	1887735	PISTON	1		Z00012212711			
190	0737.300.037	1874075	LOCKING NUT	1			MS16X1,5		
210	1316.212.007		CYLINDER	1		Z00012212711	KPL.		
/110	1316.312.015	1317310	CYLINDER	1			ENTHALT.IN 1315 312 033(1)		
/120	0634.313.018		O-RING	1			82X3		
/130	0634.313.320	8 8327 0	O-RING	1			67X3		
260	1315.312.034		SPRING	1		Z00012212711			
300	---		DETENT PLUNGER	1		Z00012212711	235N*50N.M		
---	1324.207.033	H0472564	DETENT PLUNGER	1			KPL. *235 N		
---	0730.008.604	1638154	SEALING RING	1		C01009860C10			
360	0501.219.310	1897664	5/2 WAY VALVE	1		Z00015060511			
380	0636.100.468	1897021	SCREW WITH WASHER ASSEMBLY	2		Z00021359310	M6X40		
500	---		SWITCH	1		Z00025033610	SCHL*45N.M*DICHTRING*BAJONETT* SCHUTZKAPPE		
---	0501.331.660	2007380	SWITCH	1		Z00025033617			
---	0634.801.062	1804055	SEALING RING	1		Z00025033617	18X24		
520	1295.212.006		PIN	1			KPL.		

Plant

Page 1 from 5

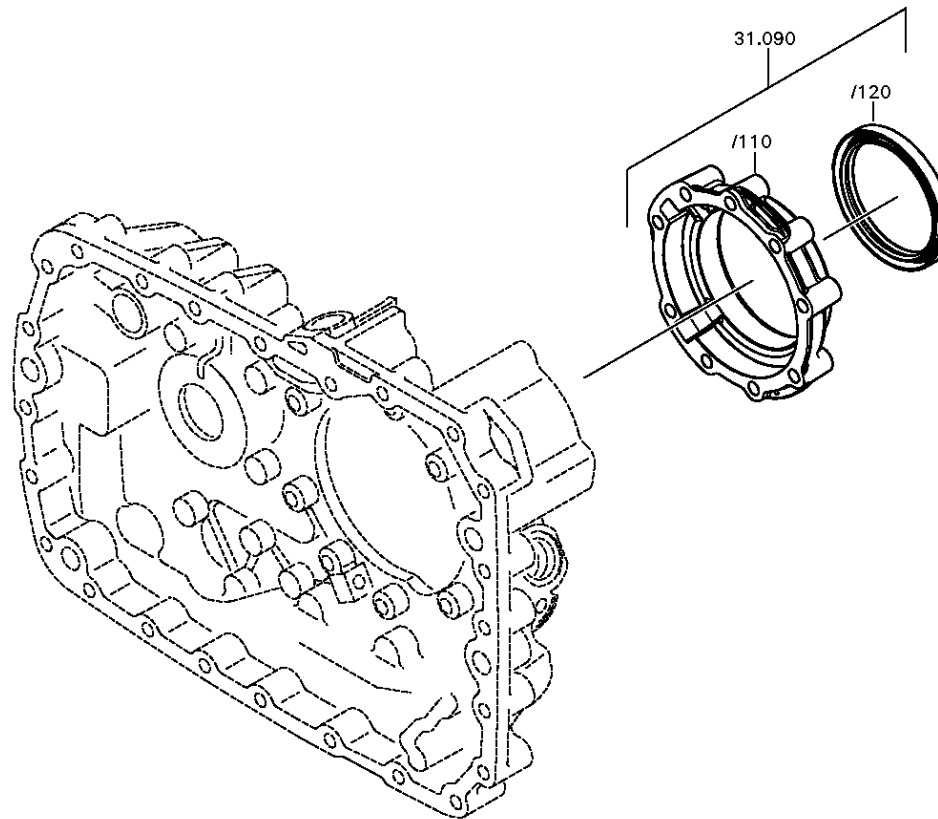
Material number: 1316.051.935

Plant: 068.43.21-1

COVER



16 S 221 /
COVER



Plant

Page 2 from 5

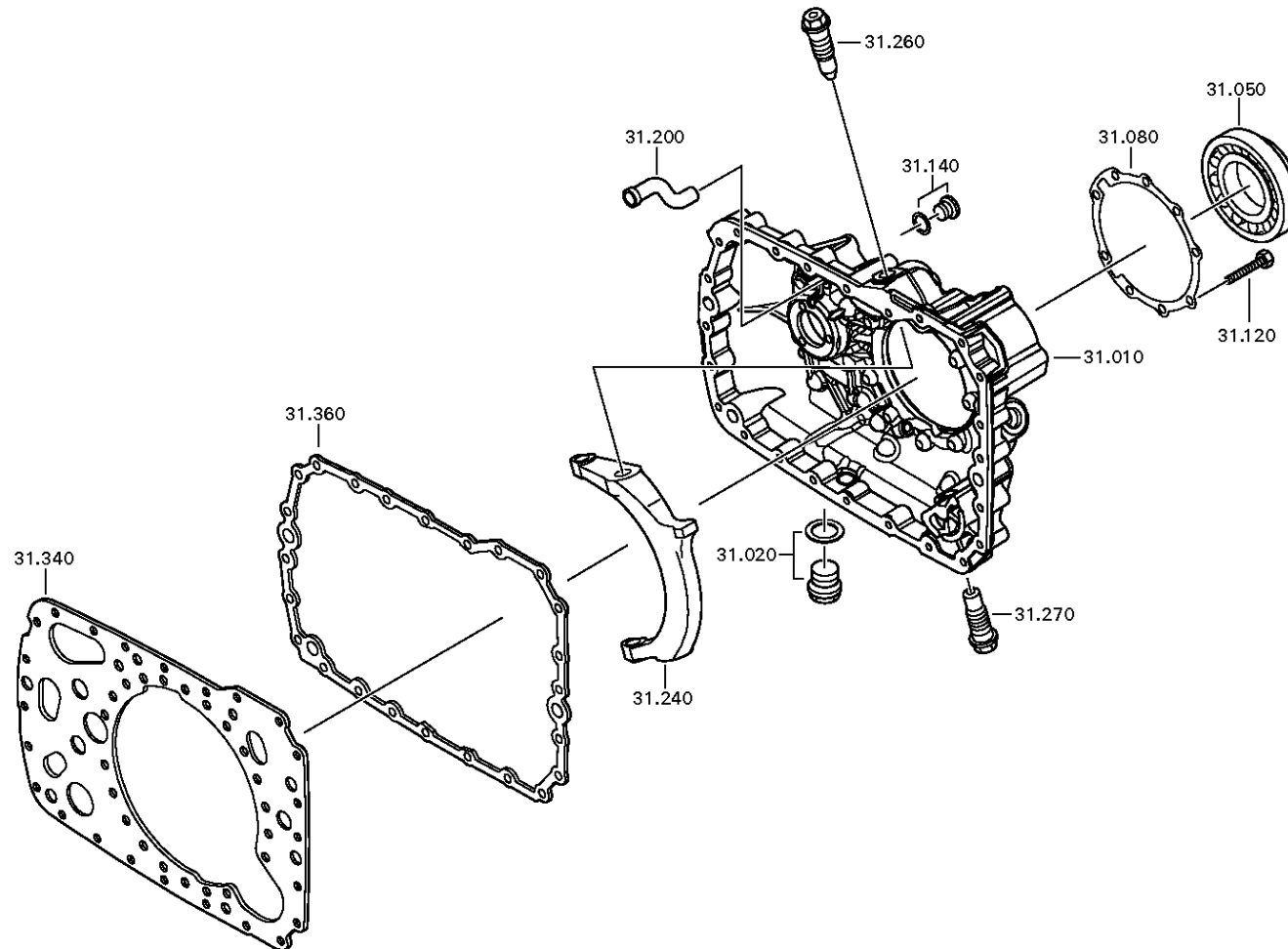
Material number: 1316.051.935

Plant: 068.43.06-1

COVER



16 S 221 /
COVER



Plant

Page 3 from 5

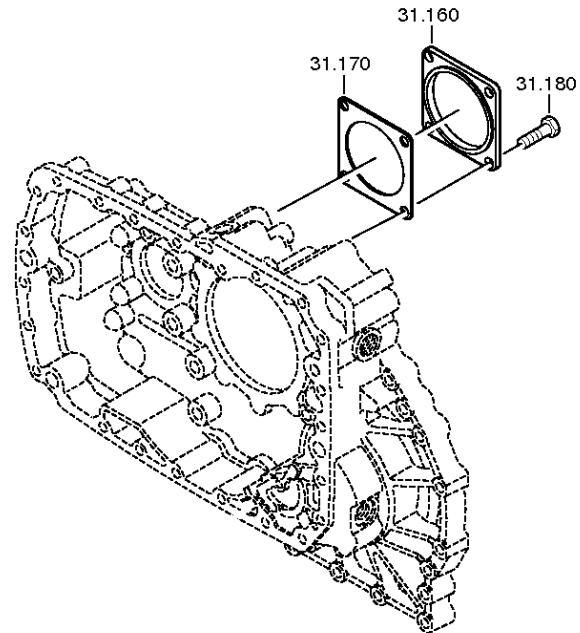
Material number: 1316.051.935

Plant: 068.43.40-1

COVER



16 S 221 /
COVER



Plant

Page 4 from 5

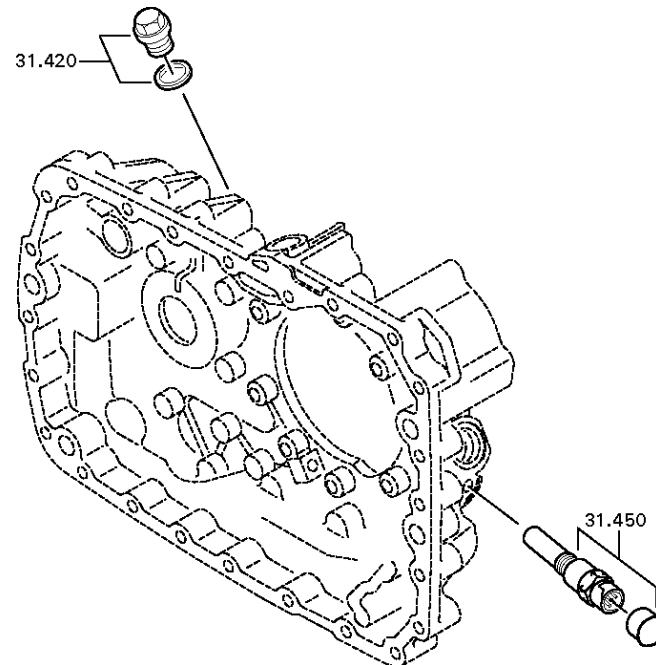
Material number: 1316.051.935

Plant: 068.43.43-1

COVER



16 S 221 /
COVER



Plant

Page 5 from 5

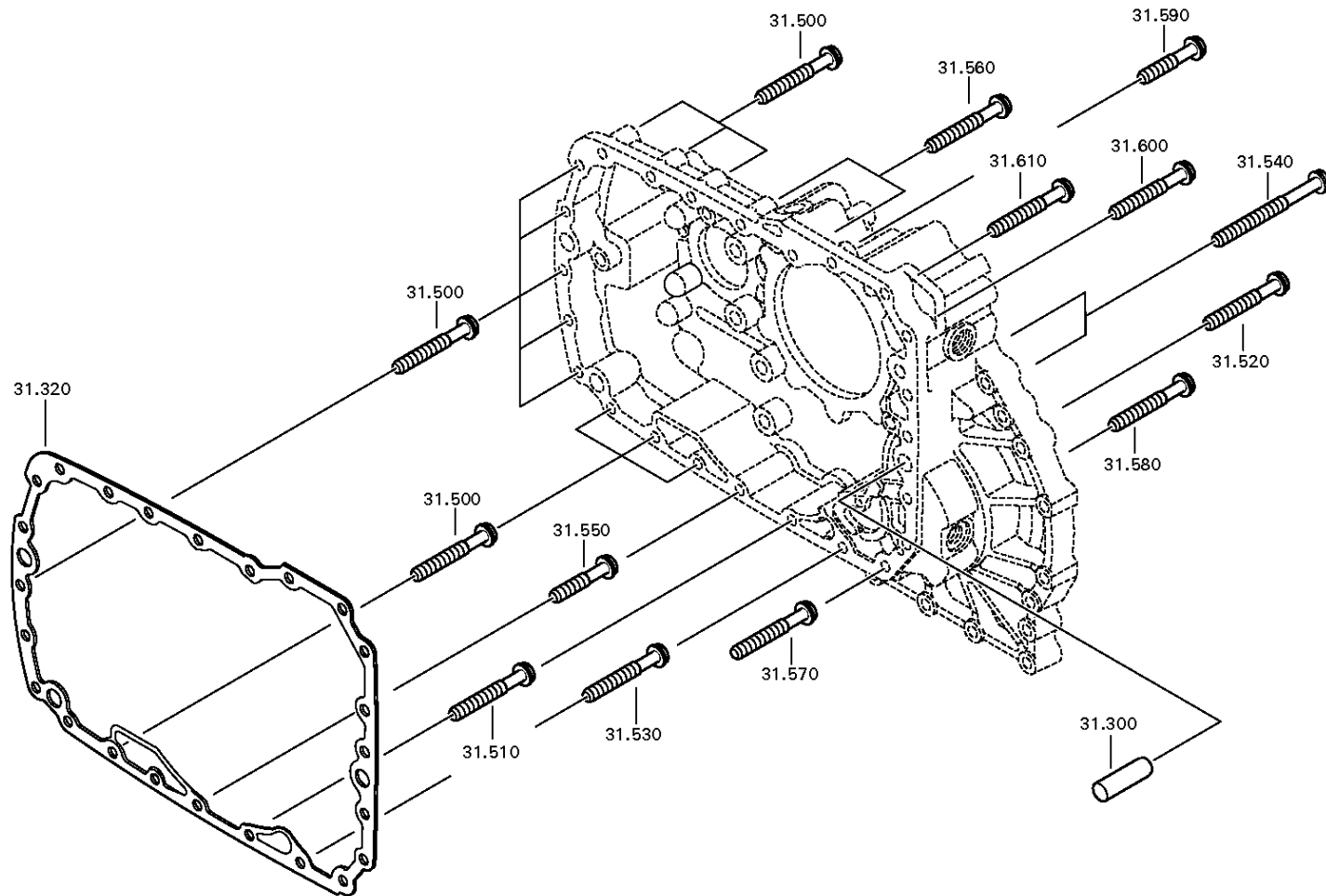
Material number: 1316.051.935

Plant: 068.43.80-1

COVER



16 S 221 /
COVER



Parts list

Page 1 from 2



16 S 221 /

Material number: 1316.051.935

Plant: 068.43.21-1

Material-assembly-group-no: 1315.131.047

Pos.	Material number	Customer material	Name	Quantity	ME	Amend. no.	Techn. Info.	Rep kit	Alternative material
10	1315.301.224		HOUSING	1			ENTHALT.IN 1315 301 222(0)		
20	---		SCREW PLUG	1		Z00010112111	60N.M*DICHTRING M24X1,5		
---	0636.304.088	1882905	SCREW PLUG	1		Z00010112110	M24X1,5		
---	0730.008.637	1428103	SEALING RING	1		Z00010112110	24X29		
50	0750.116.394	5 8092 0	BALL BEARING	1		C01007214E10	90,0X160,0X30,0		
80	1315.331.001	1621206	GASKET	1		C01005350C10			
90	1315.231.004		COVER	1			KPL.		
/120	0750.111.341	8 8812 0	SHAFT SEAL	1			105X130X12		
//10	0734.319.253		SHAFT SEAL	1			105X130X12 FA.CFW		
//20	0734.319.551		SHAFT SEAL	1					
120	0636.016.405		HEXAGON SCREW	9		Z00007060111	M10X60		
140	---		SCREW PLUG	1		C01004359F10	15N.M*DICHTRING M10X1		
---	0636.100.793		SCREW PLUG	1		Z00010111613	M10X1		
---	0730.008.055		SEALING RING	1			10X14		
160	1328.301.170	1878388	COVER	1		Z00008068010			
170	1238.308.201	5006880	GASKET	1			ENTHALT.IN 1238 308 202(2)		
180	0636.016.406		HEXAGON SCREW	4		Z00007061014	M12X25		
200	1296.301.008	70561090	SPRAY TUBE	1					
240	1315.334.039		GEARSHIFT FORK	1					
260	---		SWIVEL SCREW	1		Z00004075611	O.SCHEIBE M24X1,5 SK6		
---	1315.334.074	1877888	SWIVEL SCREW	1		Z00004075610			
270	---		SWIVEL SCREW	1		Z00004075611	O.SCHEIBE M24X1,5 SK6		
---	1315.334.074	1877888	SWIVEL SCREW	1		Z00004075610			
300	0731.201.563	1290941	CYLINDRICAL PIN	3					
320	1316.301.042	133-158-1320	GASKET	1					
340	1315.301.118	H0166247	INTERMEDIATE PLATE	1			ENTHALT.IN 1315 301 144(0)		
360	1316.301.042	133-158-1320	GASKET	1					
420	---		SCREW PLUG	1		Z00010111513	35N.M*DICHTRING M18X1,5		
---	0636.100.791		SCREW PLUG	1		Z00010111521	M18X1,5		
---	0634.801.062	1804055	SEALING RING	1		Z00010111521	18X24		
450	---		PULSE SENSOR	1		Z00004287211	35N.M*FLAE.DICHTG*BAJO*KITAS2* EXPL.GESCH*SOLO*L=90,0*SCHUKA		
---	0501.221.590		PULSE SENSOR	1					
---	0666.790.033		SEAL.COMPOUND	1		Z00004287210			

Parts list

Page 2 from 2



16 S 221 /

Material number: 1316.051.935

Plant: 068.43.21-1

Material-assembly-group-no: 1315.131.047

Pos.	Material number	Customer material	Name	Quantity	ME	Amend. no.	Techn. Info.	Rep kit	Alternative material
500	0736.300.123	1880233	HEXAGON SCREW	11			M10X70 M10X70		
510	0736.300.123	1880233	HEXAGON SCREW	1			M10X70 M10X70		
520	0736.300.123	1880233	HEXAGON SCREW	1			M10X70 M10X70		
530	0736.300.123	1880233	HEXAGON SCREW	1			M10X70 M10X70		
540	0736.300.122		HEXAGON SCREW	2		Z00009403110	M10X110 M10X110		
550	0736.300.134		HEXAGON SCREW	1		Z00011103210	M10X45 M10X45		
560	0736.300.123	1880233	HEXAGON SCREW	2			M10X70 M10X70		
570	0736.300.123	1880233	HEXAGON SCREW	1			M10X70 M10X70		
580	0736.300.123	1880233	HEXAGON SCREW	1			M10X70 M10X70		
590	0736.300.134		HEXAGON SCREW	1		Z00011103210	M10X45 M10X45		
600	0736.300.123	1880233	HEXAGON SCREW	1			M10X70 M10X70		
610	0736.300.123	1880233	HEXAGON SCREW	1			M10X70 M10X70		

Plant

Page 1 from 2

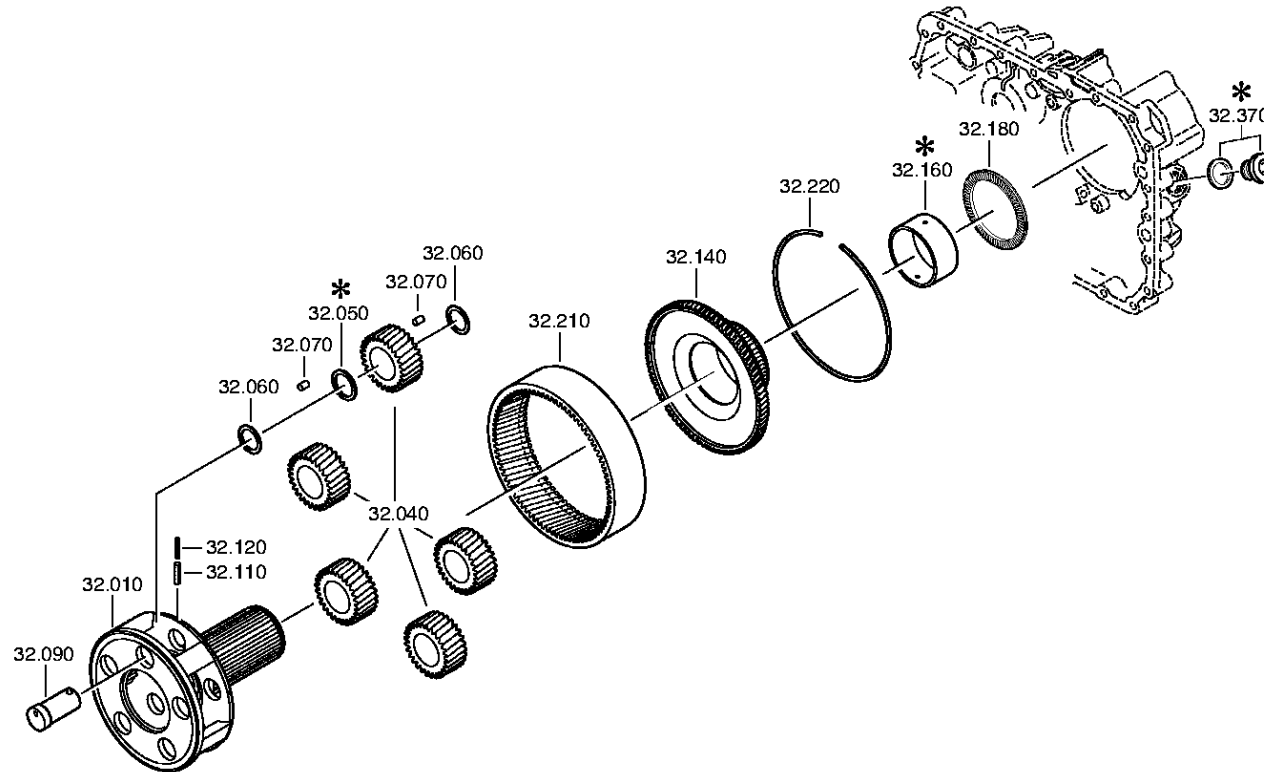
Material number: 1316.051.935

Plant: 068.44.07-1

PLANETARY DRIVE



16 S 221 /
PLANETARY DRIVE



Plant

Page 2 from 2

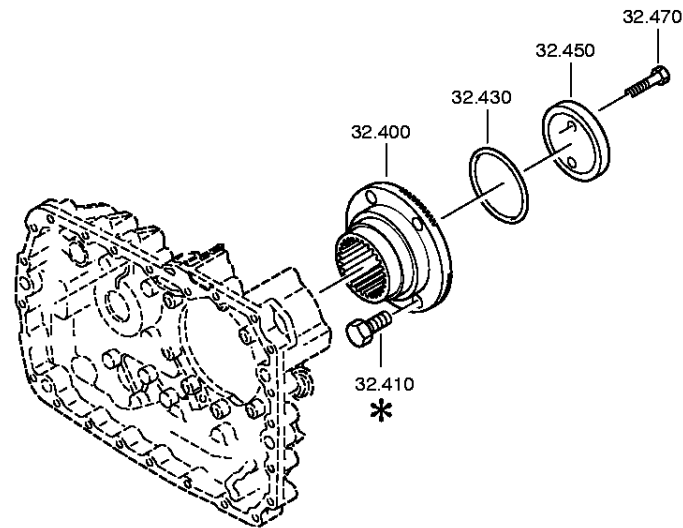
Material number: 1316.051.935

Plant: 068.44.41-1

PLANETARY DRIVE



16 S 221 /
PLANETARY DRIVE



Parts list

Page 1 from 1



16 S 221 /

Material number: 1316.051.935

Plant: 068.44.07-1

Material-assembly-group-no: 1316.132.015

Pos.	Material number	Customer material	Name	Quantity	ME	Amend. no.	Techn. Info.	Rep kit	Alternative material
10	1316.232.039		PLANET CARRIER	1		Z00014438013			
40	1316.232.011	5 5870 0	PLANET GEAR SET	1			KPL.		
50	0730.109.309	H0223831	INTERMEDIATE WASHER	5			A=7,90 IN 0730 105 951(2)		
60	0730.109.323	H0223698	INTERMEDIATE WASHER	10			A=2,30 IN 0730 105 951(2)		
70	0750.119.116	42140312	ROLLER	140			10,0X16,8		
90	1316.332.140	1904782	PLANET SHAFT	5		Z00014438013			
110	0631.329.147	1909945	SLOTTED PIN	5		Z00014438013	6X26		
120	0631.329.261	1909946	SLOTTED PIN	5			3,5X26		
140	1316.332.130	1808019	RING GEAR CARRIER	1		C01007305F10			
160	1316.333.014	1330414	INTERMEDIATE RING	1					
180	0735.298.169	5 8159 0	AXIAL NEEDLE BEARING	1			104,5X128,4X10,0 FA.INA		
210	1315.332.041	5 5867 0	RING GEAR	1		C01007220A10	IN 1316 332 055(1)		
220	0730.513.583		LOCKING WIRE	1			A=3,20 IN 0730 505 052(2)		
400	1297.333.110	H0176297	OUTPUT FLANGE	1			ENTHALT.IN 1314 332 007(0)		
430	0634.313.805	1351646	O-RING	1		C01007959910	82X4		
450	1312.332.028		WASHER	1					
470	0636.011.777		HEXAGON SCREW	2		Z00007292012	M12X60		

Plant

Page 1 from 2

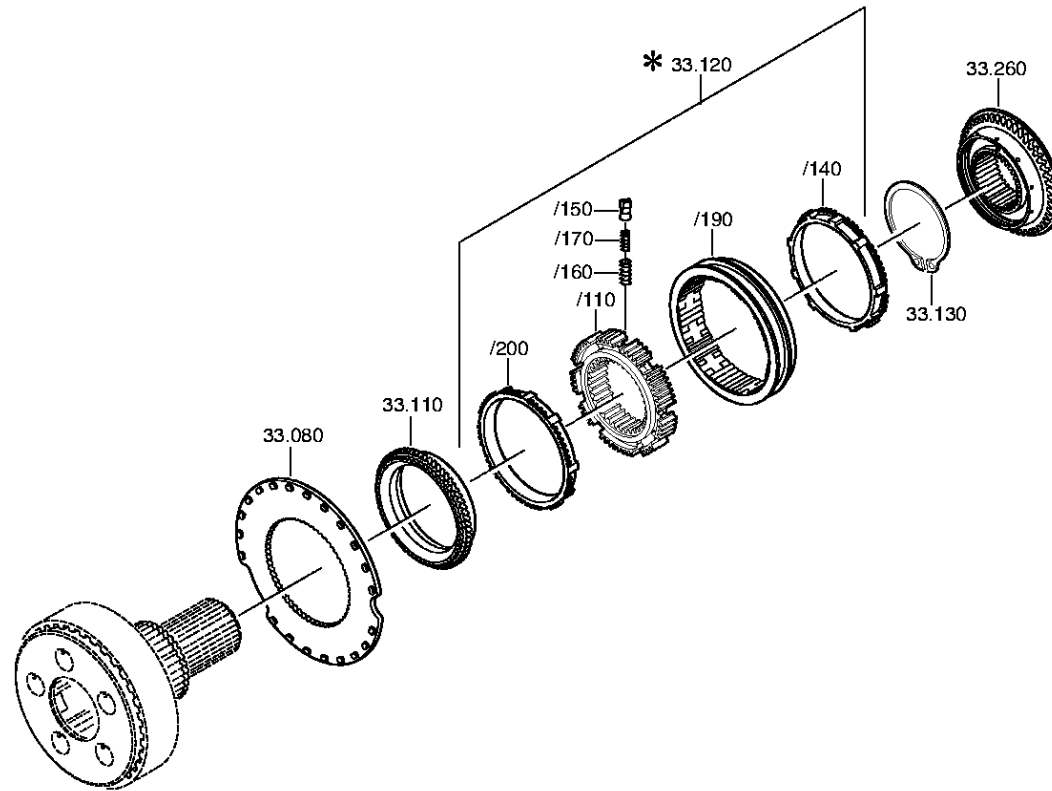
Material number: 1316.051.935

Plant: 068.45.04-1

SYNCHRONIZER



16 S 221 /
SYNCHRONIZER



Plant

Page 2 from 2

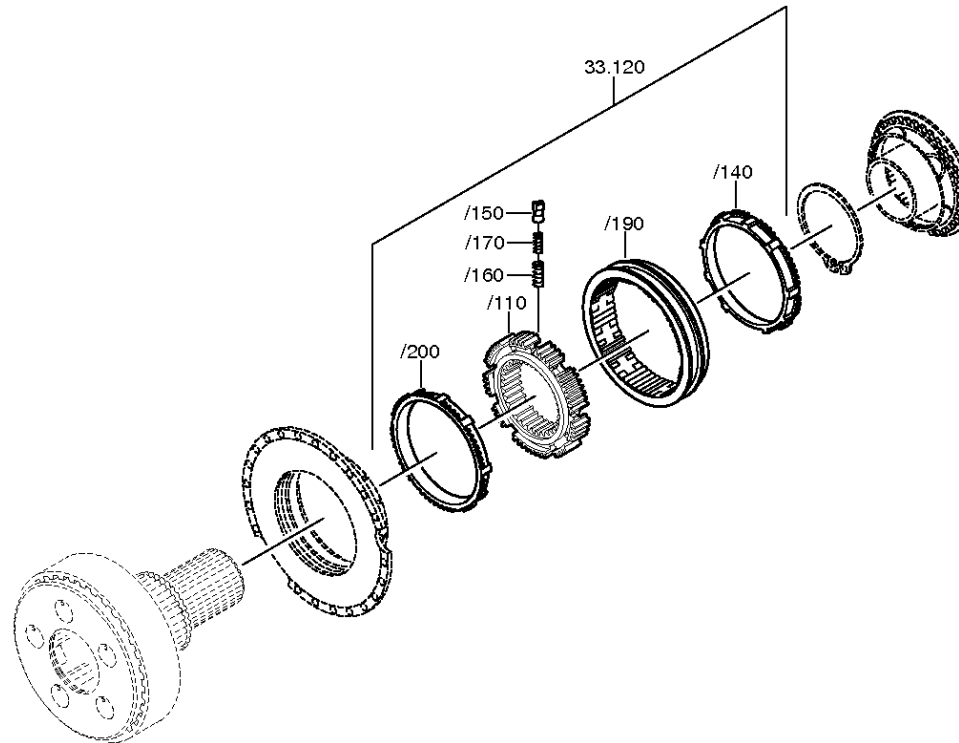
Material number: 1316.051.935

Plant: 068.45.40-1

SYNCHRONIZER



16 S 221 /
SYNCHRONIZER



Parts list

Page 1 from 1



16 S 221 /

Material number: 1316.051.935

Plant: 068.45.04-1

Material-assembly-group-no: 1316.133.008

Pos.	Material number	Customer material	Name	Quantity	ME	Amend. no.	Techn. Info.	Rep kit	Alternative material
80	1296.333.046	1450534	CLUTCH DISC	1			ENTHALT.IN 1296 333 051(1)		
110	1296.333.050	5 5302 0	CLUTCH BODY	1		C01002627A10	ENTHALT.IN 1296.333.053(1)		
120	1316.233.022		SYNCHRONIZER	1			KPL.PROFIL 80GV-GP 90SV-GP		
/110	1313.333.001	0069909	SYNCHRO.BODY	1			ENTHALT.IN 1296 333 014(1)		
/140	1296.333.045	5 5301 0	SYNCHRO.RING	1					
/150	1240.304.278	3362640239	PRESSURE PART	9					
/160	0732.040.385	3362640693	COMPRESSION SPRING	9					
/170	0732.040.386	3362640793	COMPRESSION SPRING	9					
/190	1316.333.034	1780340	SLIDING SLEEVE	1		C01007317F10	ZF-B 165/74 GP		
/200	1296.333.045	5 5301 0	SYNCHRO.RING	1					
130	0630.501.175	0692274	RETAINING RING	1		Z00006943010	125X3,7		
260	1316.233.029	1799031	CLUTCH BODY	1		C01007305F10	KPL. ZF-B 165/74		

Plant

Page 1 from 2

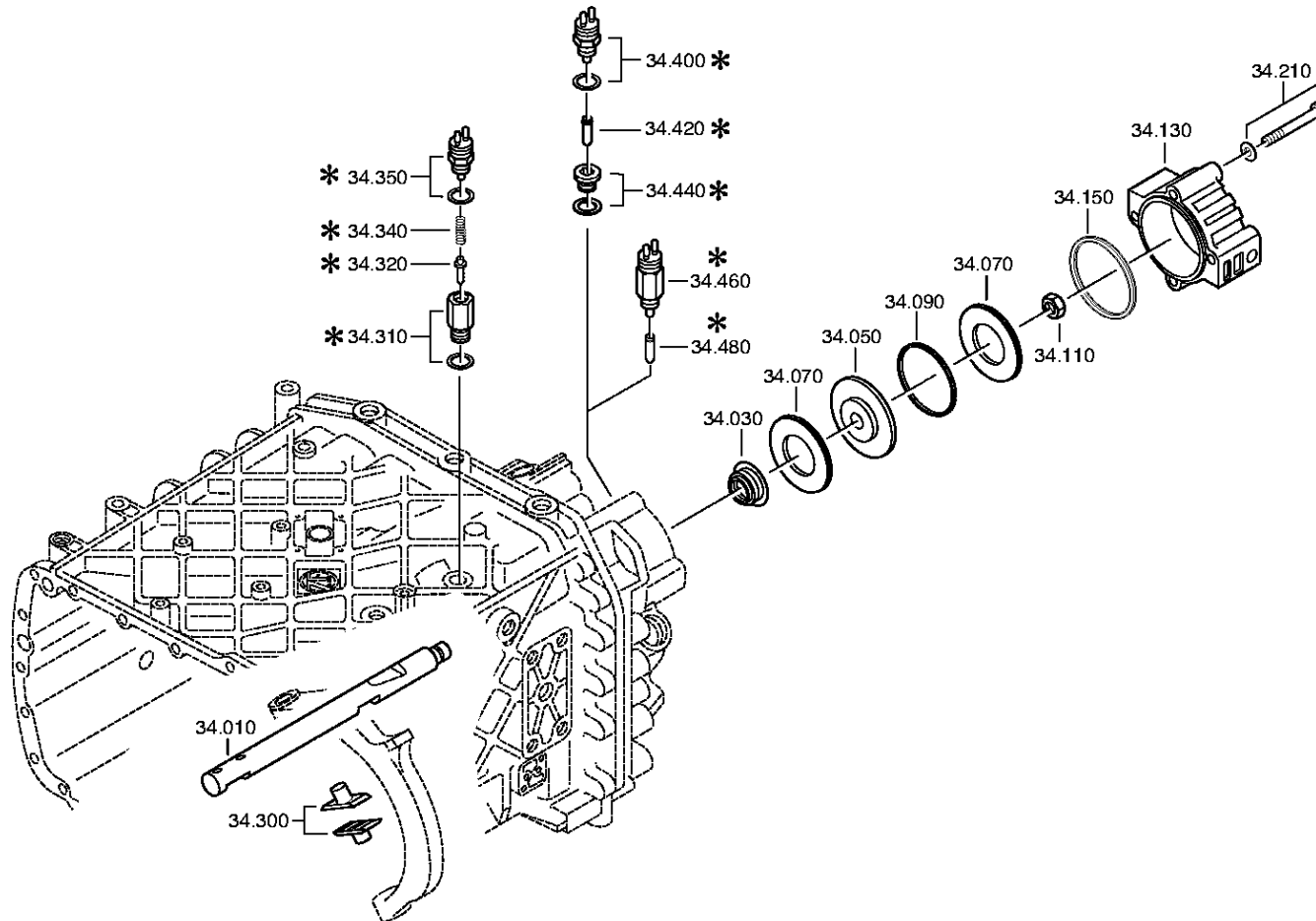
Material number: 1316.051.935

Plant: 068.46.02-1

GP SHIFT SYSTEM



16 S 221 /
GP SHIFT SYSTEM



Plant

Page 2 from 2

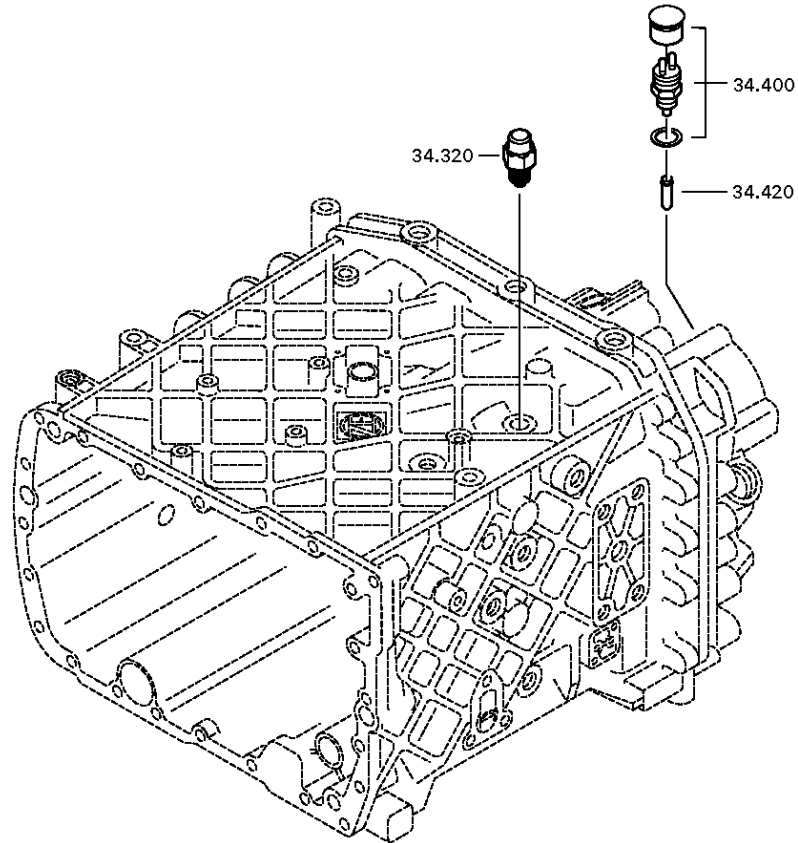
Material number: 1316.051.935

Plant: 068.46.40-1

GP SHIFT SYSTEM



16 S 221 /
GP SHIFT SYSTEM



Parts list

Page 1 from 1



16 S 221 /

Material number: 1316.051.935

Plant: 068.46.02-1

Material-assembly-group-no: 1316.134.021

Pos.	Material number	Customer material	Name	Quantity	ME	Amend. no.	Techn. Info.	Rep kit	Alternative material
10	1316.334.016	1781368	GEAR SHIFT RAIL	1					
30	0750.112.253	5 8342 0	FLANGE PACKING	1			25X40X15		
50	---		PISTON	1			GP		
---	1315.334.034		PISTON	1			ENTHALT.IN 1315 334 040(2)		
---	1315.334.063		PISTON	1					
70	0734.307.294	5 8400 0	SEALING RING	2			49X91X7,4 FA.KACO		
90	0750.112.066	5 5131 0	GUIDE RING	1					
110	0737.300.037	1874075	LOCKING NUT	1			MS16X1,5		
130	1315.334.069	5 5836 0	CYLINDER	1					
150	0501.317.536	5 6096 0	PROFILE SEALING RING	1					
210	---		HEXAGON SCREW	4		Z00007349210	M10X90		
---	0636.015.688	1896739	HEXAGON SCREW	4		Z00007349212	M10X90		
---	0630.100.294	1894557	WASHER	4		Z00007158111			
300	1296.334.004	5 5174 0	SLIDING PAD	2					
320	---		DETENT PLUNGER	1			145N*50N.M		
---	1324.207.035	H0472239	DETENT PLUNGER	1			KPL. *145 N		
---	0730.008.604	1638154	SEALING RING	1					
400	---		SWITCH	1		Z00004287211	OEFF*45N.M*DICHTRING*BAJONETT* SCHUTZKAPPE		
---	0501.219.856	1946804	SWITCH	1			OEFFNER DIN BAJONETT		
---	0634.801.062	1804055	SEALING RING	1			18X24		
420	1295.212.006		PIN	1			KPL.		

Plant

Page 1 from 1

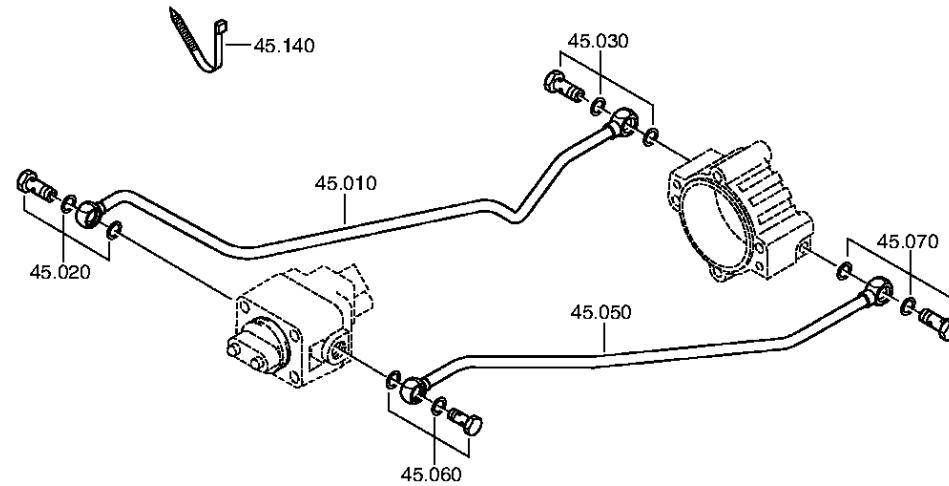
Material number: 1316.051.935

Plant: 068.57.04-1

Material-assembly-group-no: 1316.145.002



16 S 221 /
RANGE SELECTION



Parts list

Page 1 from 1



16 S 221 /

Material number: 1316.051.935

Plant: 068.57.04-1

Material-assembly-group-no: 1316.145.002

Pos.	Material number	Customer material	Name	Quantity	ME	Amend. no.	Techn. Info.	Rep kit	Alternative material
10	1316.245.012		TUBE	1		C01003831B10	KPL.GP RE*L=589MM*12X1,5		
/110	0737.300.040		RING PIECE	1		Z00008929310			
/120	1316.345.007		TUBE	1					
/130	0737.300.040		RING PIECE	1		Z00008929310			
20	---		UNION SCREW	1		Z00010274511	M14X1,5		
---	0737.300.061	1907567	UNION SCREW	1		Z00012473710	M14X1,5		
---	0634.801.217	99707034424	SEALING RING	1		Z00010274513	14X20		
30	---		UNION SCREW	1		Z00010274511	M14X1,5		
---	0737.300.061	1907567	UNION SCREW	1		Z00012473710	M14X1,5		
---	0634.801.217	99707034424	SEALING RING	1		Z00010274513	14X20		
50	1316.245.013		TUBE	1		C01003831B10	KPL.GP LI*L=605MM*12X1,5		
60	---		UNION SCREW	1		Z00010274511	M14X1,5		
---	0737.300.061	1907567	UNION SCREW	1		Z00012473710	M14X1,5		
---	0634.801.217	99707034424	SEALING RING	1		Z00010274513	14X20		
70	---		UNION SCREW	1		Z00010274511	M14X1,5		
---	0737.300.061	1907567	UNION SCREW	1		Z00012473710	M14X1,5		
---	0634.801.217	99707034424	SEALING RING	1		Z00010274513	14X20		
140	0659.160.081		CABLE CLIP	1		C01006654E10	4,7X210		

Plant

Page 1 from 2

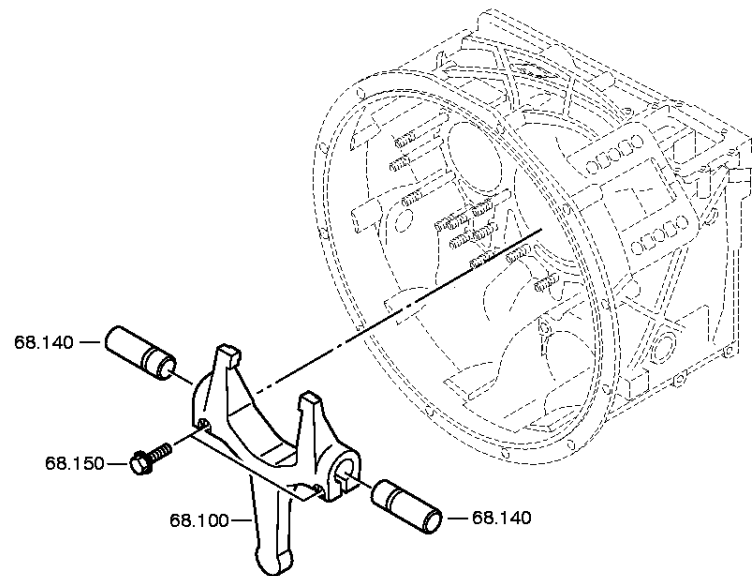
Material number: 1316.051.935

Plant: 068.93.13-1

CLUTCH RELEASE DEVICE



16 S 221 /
CLUTCH RELEASE DEVICE



Plant

Page 2 from 2

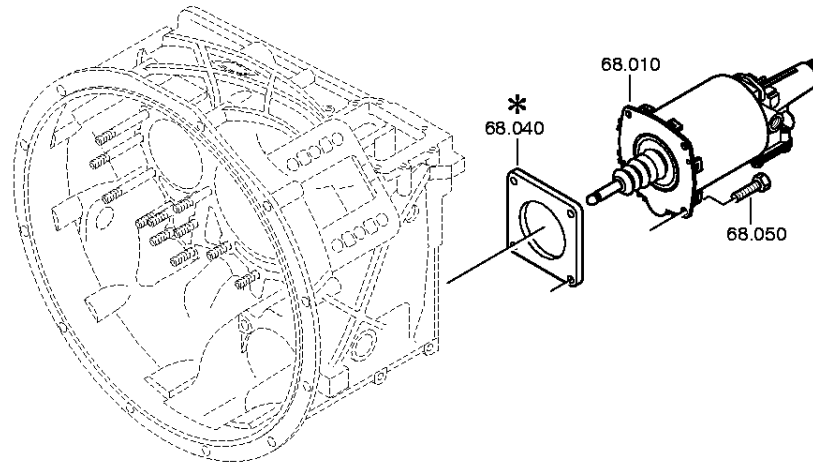
Material number: 1316.051.935

Plant: 068.93.63-1

CLUTCH RELEASE DEVICE



16 S 221 /
CLUTCH RELEASE DEVICE



Parts list

Page 1 from 1



16 S 221 /

Material number: 1316.051.935

Plant: 068.93.13-1

Material-assembly-group-no: 1315.168.030

Pos.	Material number	Customer material	Name	Quantity	ME	Amend. no.	Techn. Info.	Rep kit	Alternative material
10	0501.006.570		CLUTCH CYLINDER	1		C01007378A10			
50	0636.016.412		HEXAGON SCREW	4			M8X22		
100	1315.268.031		RELEASE FORK	1		Z00005397611	KPL.AUSR-WELLE*SW=78		
/120	0501.315.159	1787184	BALL CUP	1			KS12-18-12		
140	---		SHAFT	2		Z00004667010			
---	1315.368.060	1887072	SHAFT	2					
---	0671.190.050	04226933	GREASE	2					
150	0736.031.059	530537A080980 REPL. FOR 0636031070	LOCKING SCREW	2			M10X45		